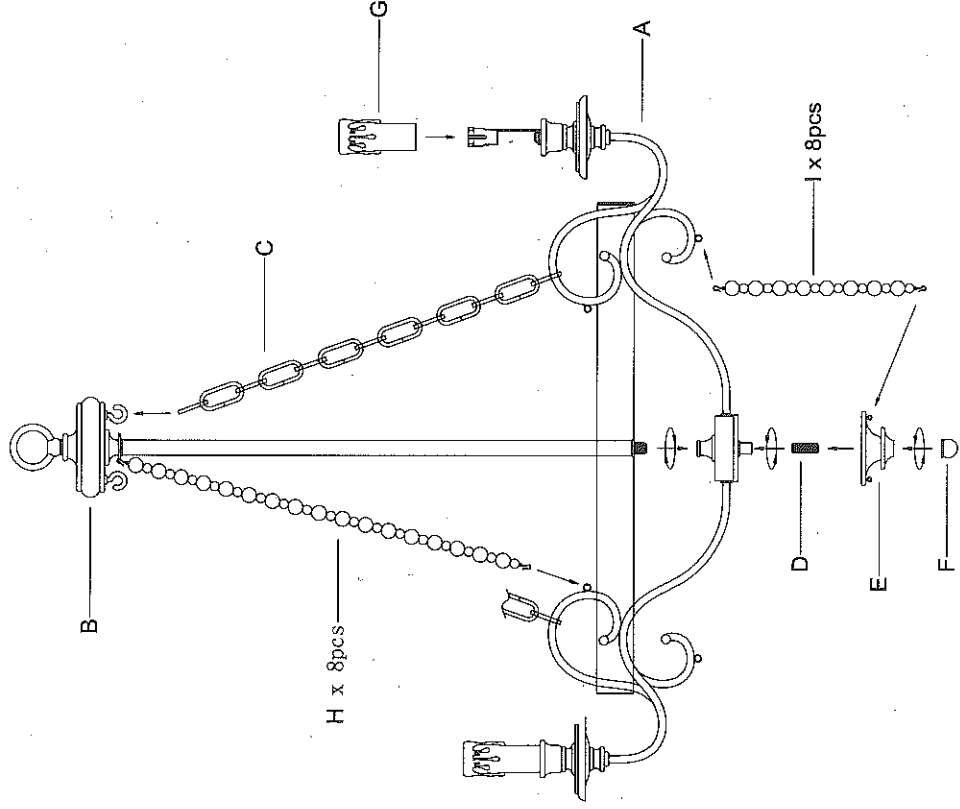




ASSEMBLY INSTRUCTIONS

ITEM NO.: 1-7401-8-39



B → A → C → D → E → F → G → H → I → J

1. Carefully unpack and identify all parts referring to the illustration for parts identification.
2. Turn power to the installation point **OFF**.
3. Thread the column (B) onto center coupling at top of fixture body (A).
4. Attach the end of decorative chain (C) to the hooks on the column (B) as shown.
5. Thread the nipple (D) onto the center coupling at bottom of fixture body (A).
6. Pass the center hole of font (E) over the protruding nipple (D) and secure with finial (G). Hand tighten until snug.
7. Attach the both ends of beads string (H), (I) to the hole on the fixture body (A), column (B) and font (E) as shown.
8. Place the candle sleeve (G) onto each socket of fixture body (A).
9. Install proper bulbs (not provided) to sockets referring to the markings and/or labels on the fixture for maximum wattage.
10. Restore power to the installation point **ON**. Retain this sheet for future reference.