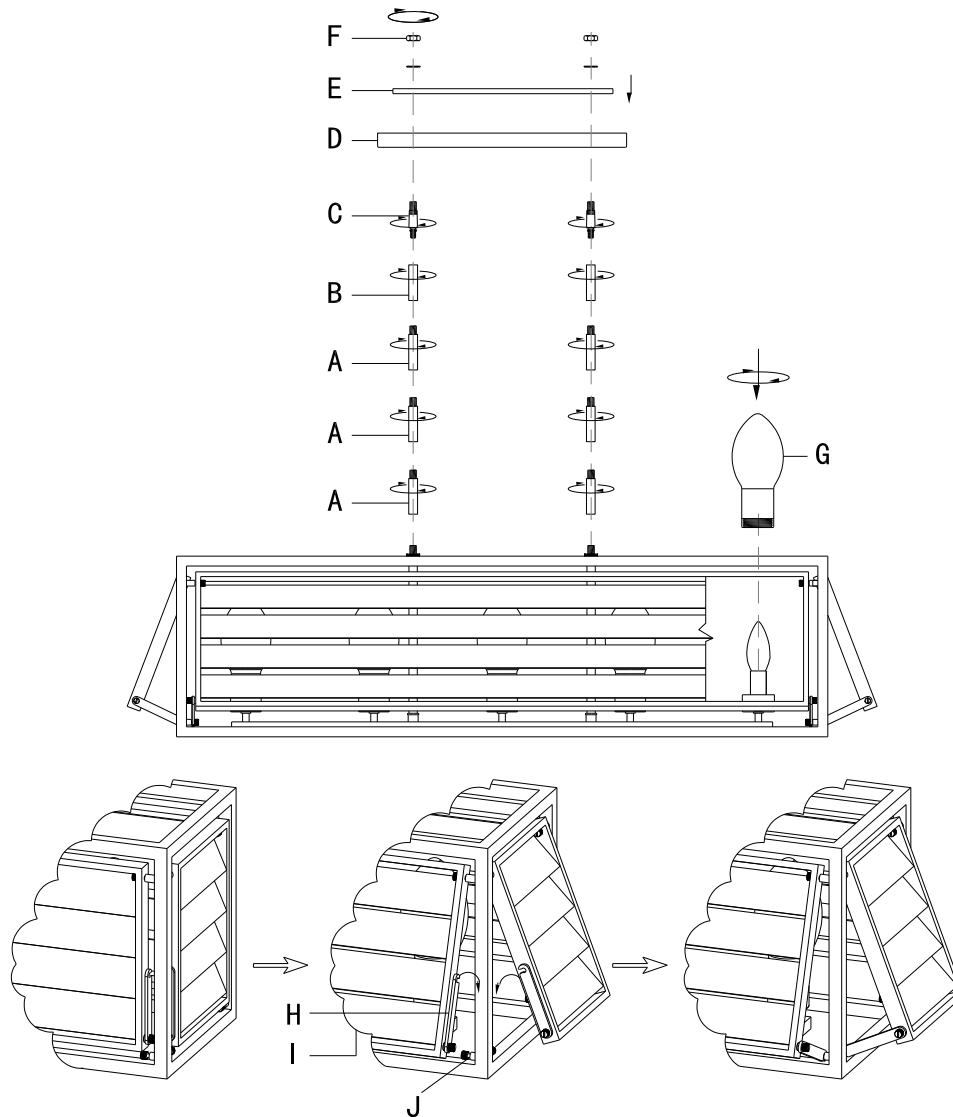




ASSEMBLY INSTRUCTIONS

ITEM NO.: 1-9340-5-162



A → B → C → D → E → F → I → H → J → G

1. Carefully unpack and identify all parts referring to illustration for parts identification.
2. Turn the power to the installation point OFF.
3. Unravel the supply power and ground wires and pass them through the of center tube (A), (B) and movable head(C) and canopy assembly (D).
4. Thread the bottom of center tube (A) onto the protruding nipple at top of fixture body. Repeat the process for remaining center tube (B) and movable head(C) as shown in the diagram, until snug.
5. Put two movable head (C) through canopy assembly (D) and reinforcement (E) and tighten nuts (F) with tools as shown.
6. Open the sash (I) Loosen the nut on the handle (H) and turn the handle to the appropriate position to buckle in the slot (J)
7. Screw the glass Shade (G) onto the base until it is tight.
8. Install proper bulbs (not provided) to the sockets referring to the marking and/or labels on the fixture for maximum wattage.
9. Restore the power to the installation point ON.
10. Assembly is completely. Retain this sheet for future reference.