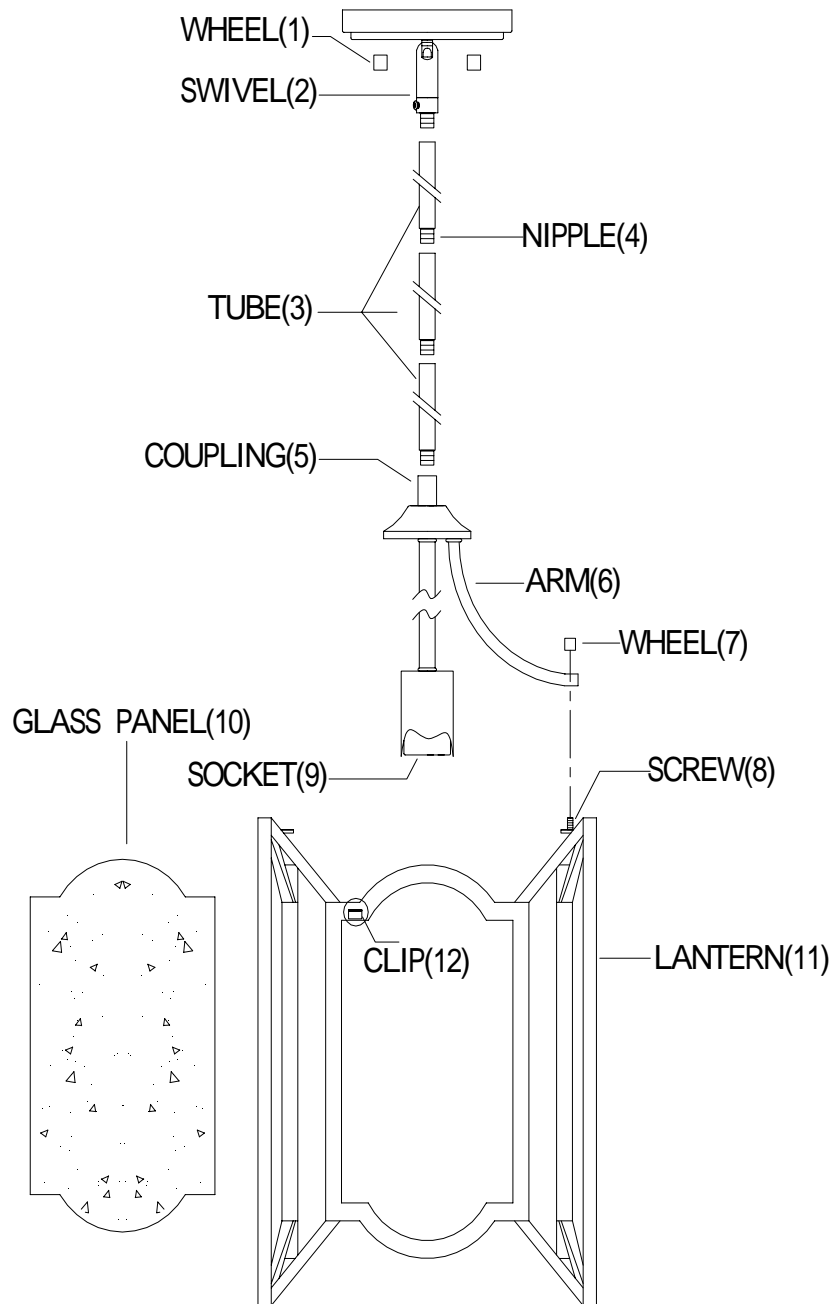




LIGHTING

ITEM NO: 7-2182-1-13



INSTALLATION INSTRUCTIONS

1. Carefully remove the fixture out of the carton, and check that all parts are included referring to the above illustration. Make sure not to misplace any parts that are needed for the installation;
2. Assemble the tube (3) together using the nipple (4), then attach the bottom end of tube (3) onto the coupling (5) tightly, then screw the swivel (2) onto the tube (3).
3. Install the glass panel (10) onto lantern (11), then secure them with clip (12).
4. Install the arm (6) onto screw (8), then secure them with wheel (7).
5. Fixture is ready for lamping and installation.