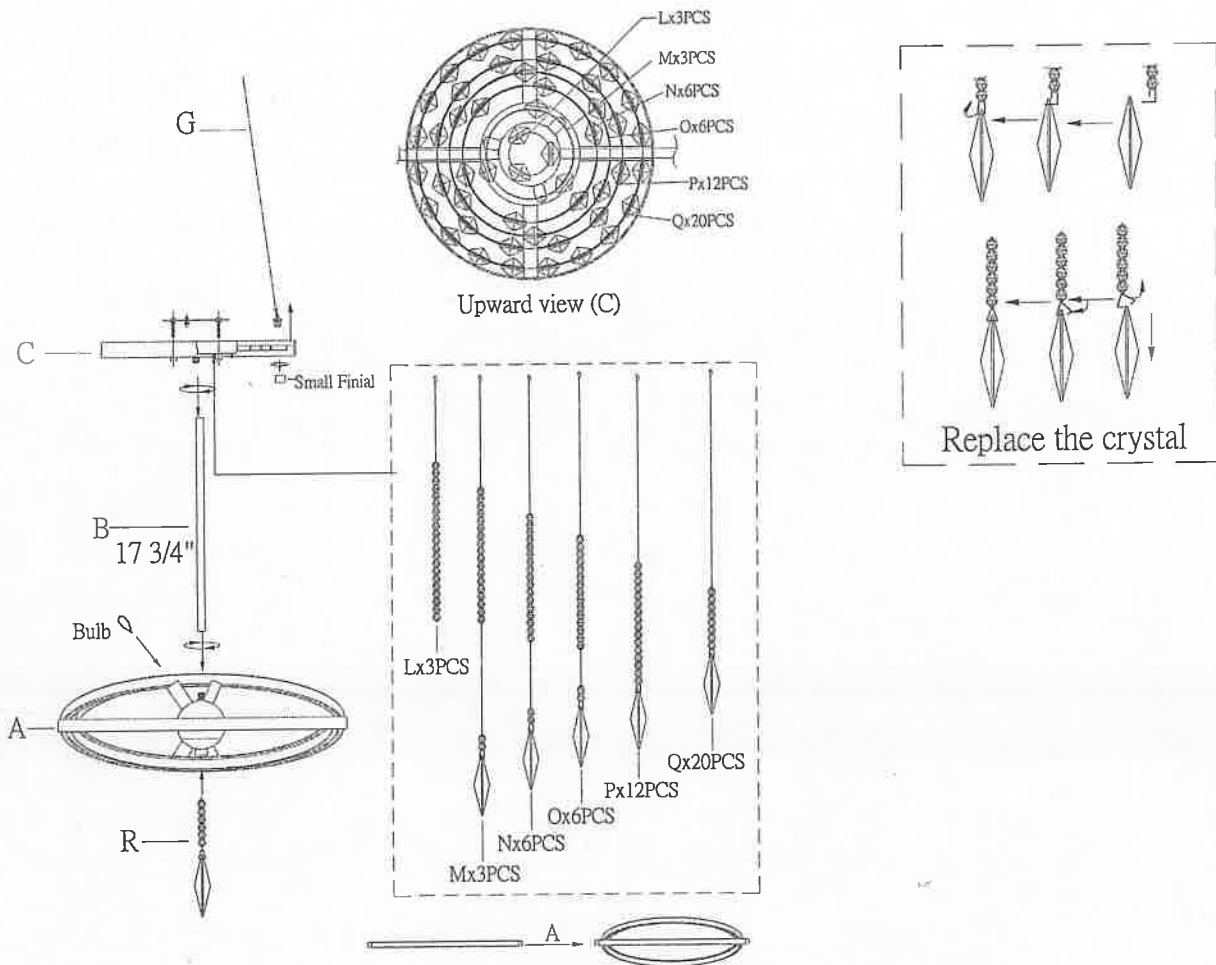




ASSEMBLY INSTRUCTIONS

ITEM NO.: 1-2121-6



B → A → C → L, M, N, O, P, Q, R → Bulb

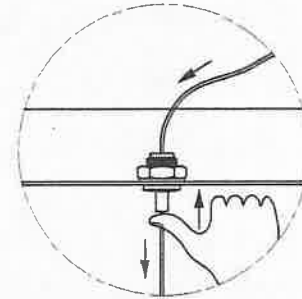
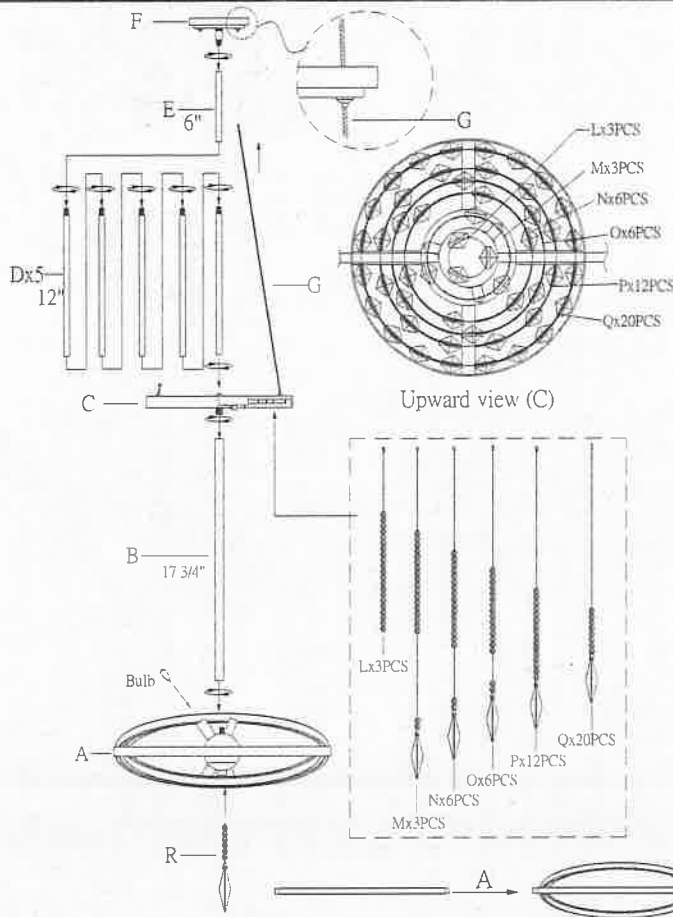
The installation of Semi-Flush:

- Carefully unpack and identify all parts referring to illustration for parts identification.
- Turn the power to the installation point OFF.
- Unscrew the small finials, then remove the safety cable (G) from the canopy (C).
- Unravel the supply power and ground wires and pass them through the center holes of center tube (B), and canopy (C).
- Thread the bottom of center tube (B) into the protruding nipple at the top of fixture body (A).
- Install canopy (C) into the top of the center tube (B).
- Carefully attach the top hook of string of crystal beads (L) to the canopy (C). Repeat the process for remaining string of crystal beads (M, N, O, P, Q) as shown in the diagram.
- Then carefully attach the top ends of string of crystal beads (R) to the bottom hook of the fixture body (A).
- Unfold the ring of the fixture body (A) to your desired shape.
- Referring to the installation instruction with the product for the wiring and installation.
- Install proper bulbs (G9 provided) to the sockets referring to the marking and/or labels on the fixture for maximum wattage.
- Restore the power to the installation point ON.
- Assembly is completely. Retain this sheet for future reference.



ASSEMBLY INSTRUCTIONS

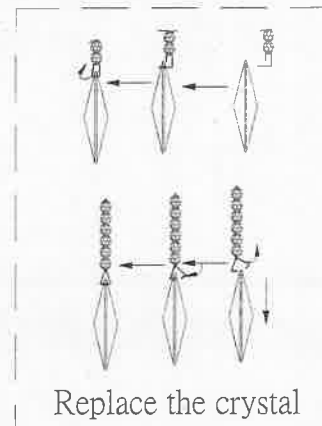
ITEM NO.: 1-2121-6



Note: Press the wire restraint to adjust the desired length of cable.

Remarque: Appuyez sur le dispositif de retenue du fil pour régler la longueur du câble

Nota: Presiona el freno del cable para ajustar la longitud que se desea del mismo



B → A → C → D → E → F → G → (L, M, N, O, P, Q, R) → Bulb

The installation of Pendant:

- Carefully unpack and identify all parts referring to illustration for parts identification.
- Turn the power to the installation point OFF.
- Unravel the supply power and ground wires and pass them through the center holes of center tube (B), canopy (C), long stem (D), short stem (E) and canopy assembly (F).
- Thread the bottom of center tube (B) into the protruding nipple at the top of fixture body (A). Hands tighten until snug.
- Install canopy (C) into the top of the center tube (B).
- Thread the bottom of long stem (D) into the protruding nipple at the top of canopy (C). Repeat the process for remaining long stem (D), short stem (E) as shown in the diagram, until snug.
- Install canopy assembly (F) into the top of the short stem (E).
- Pull the safety cable (G) through the hole of the canopy assembly (F) as shown in the diagram.
- Carefully attach the top hook of string of crystal beads (L) to the canopy (C). Repeat the process for remaining string of crystal beads (M, N, O, P, Q) as shown in the diagram.
- Then carefully attach the top ends of string of crystal beads (R) to the bottom hook of the fixture body (A).
- Unfold the fixture body (A) to your desired shape.
- Referring to the installation instruction with the product for the wiring and installation.
- Install proper bulbs (G9 provided) to the sockets referring to the marking and/or labels on the fixture for maximum wattage.
- Restore the power to the installation point ON.
- Assembly is completely. Retain this sheet for future reference.



INSTALLATION INSTRUCTION

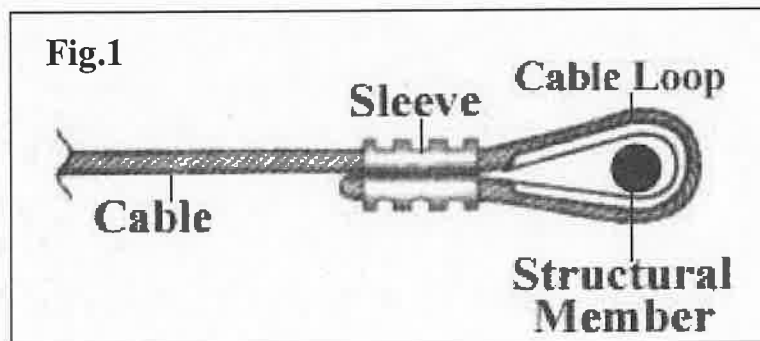
For Safety Cable Installation

In INSTRUCTION:

This fixture is provided with a Safety Cable. The Safety Cable provides a back up system for the fixture's frame and the installation hardware. It is essential that the Safety Cable be properly installed. The Cable must be secured to a **STRUCTURAL MEMBER** of the building, and not to the outlet box. The Cable must be terminated with **SLEEVE** specifically sized for the Cable per the following steps:

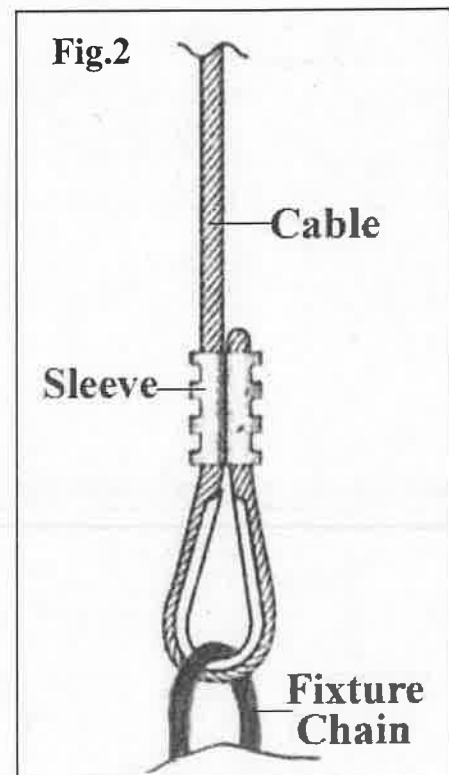
1. Insert enough cable through one side of the sleeve to form a large loop,
2. Wrap the Cable around the Structural Member or Top Chain Link;
3. turn back the cut end and inserting into opposite side of sleeve. Use two sleeves if desired.
4. Pull back on cable until desired loop size is obtained. It is recommended to use thimble in loop.
5. Allow 1/8" of cable cut end to extend beyond end of sleeve. Make sure this does not slip back into sleeve while swaging.

Please refer to the below Fig.1 & Fig.2 for the detail information!



Safety Cable must be mounted on the chandelier **TOP CHAIN LINKS**.

This is a sketch for only Safety Cable mounting, to **CHAIN**. The Cable must be secured to a **STRUCTURAL MEMBER** of the building, and not to the outlet box.



****Remark: Pls make sure all hardware is properly tightened and that the cable is positioned clear of any obstructions!****