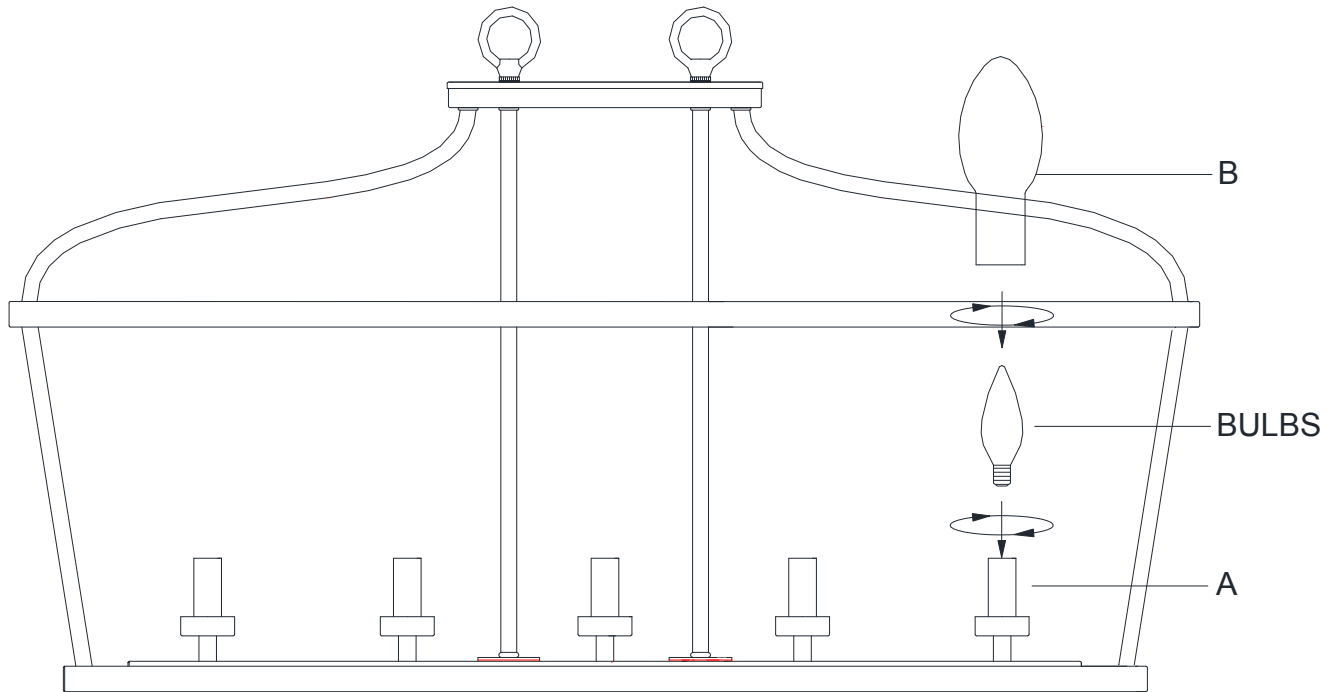




ASSEMBLY INSTRUCTIONS

ITEM NO.: 1-0131-5-70



BULBS → A → B

1. Carefully unpack and identify all parts referring to illustration for parts identification.
2. Turn the power to the installation point OFF.
3. Refer the installation instruction of the product for the wiring and installation.
4. Install proper bulbs (not provided) to the sockets referring to the maximum wattage on marking and/or labels on the fixture.
5. Place the glass shade (B) over the bulb and fix with the cup on fixture body(A). Do not overtighten.
6. Restore the power to the installation point ON.
7. Assembly is completed. Keep this sheet for future reference.