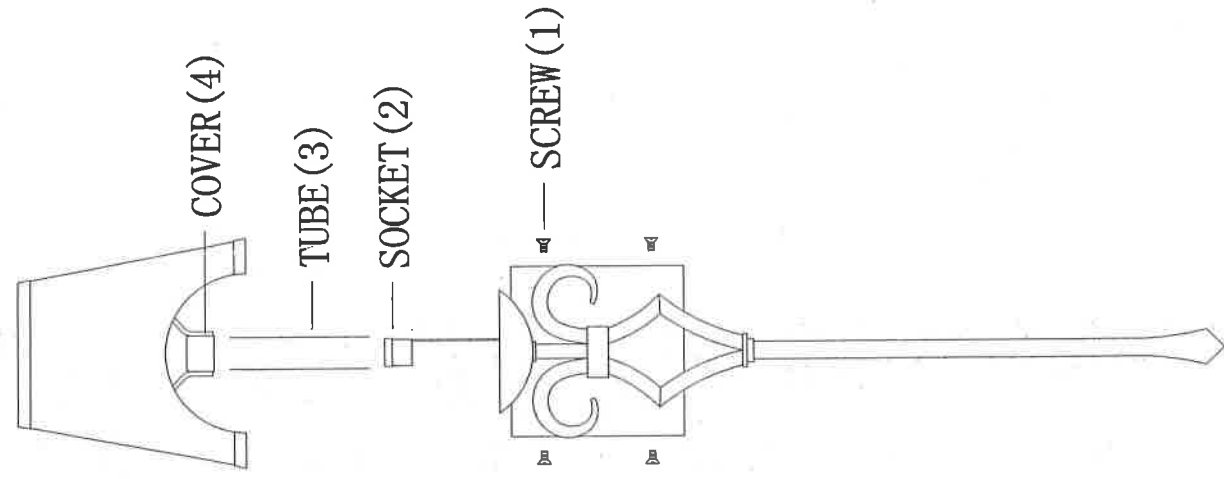




## LIGHTING



### INSTALLATION INSTRUCTIONS

1. Carefully remove the fixture out of the carton, and check that all parts are included referring to the above illustration. Make sure not to misplace any parts that are needed for the installation;
2. Install the tube (3) onto socket (2).
3. Install the cover (4) onto tube (3).
4. Fixture is ready for lamping and installation.