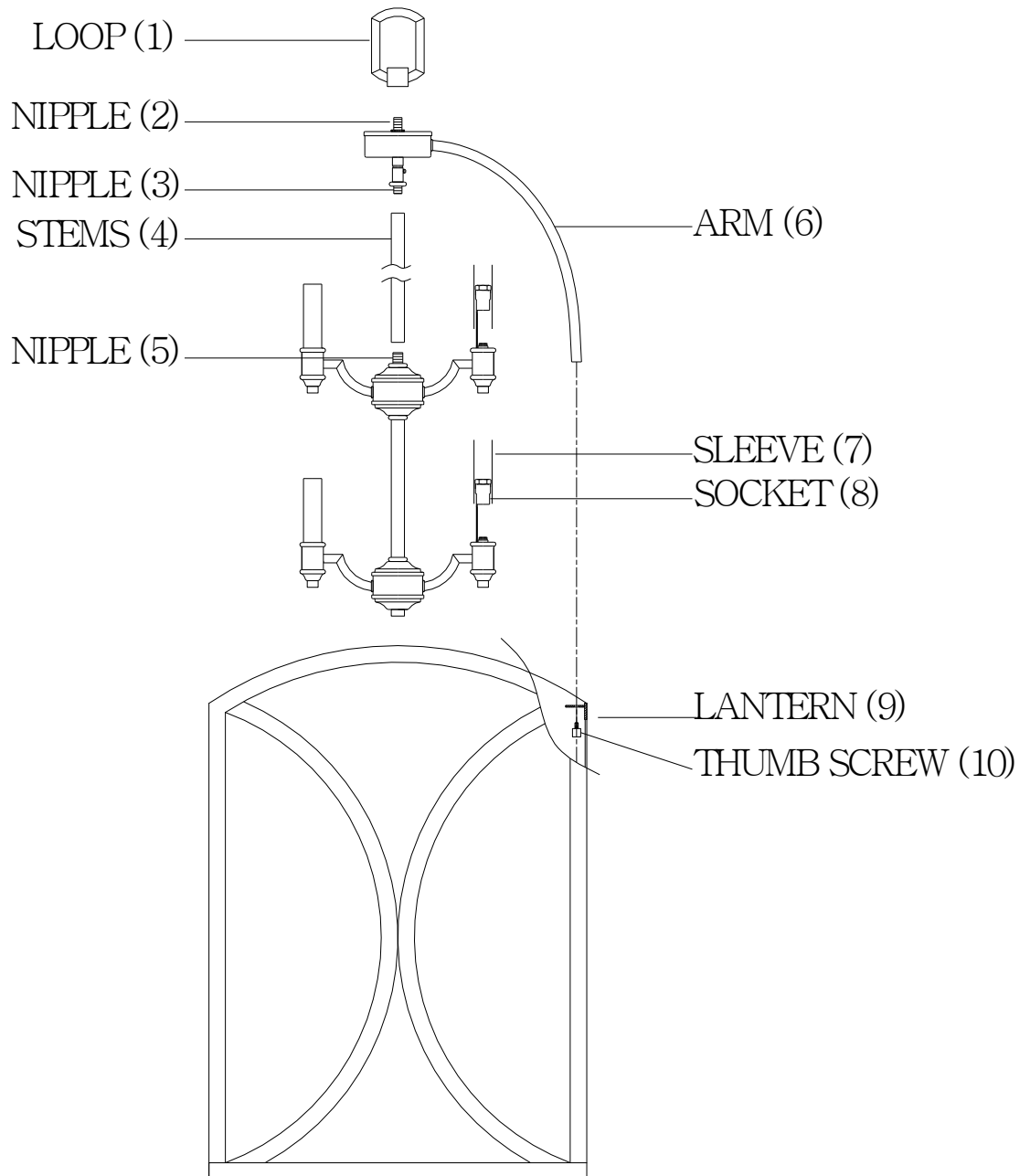




ITEM NO: 3-4082-8-79

LIGHTING



INSTALLATION INSTRUCTIONS

1. Carefully remove the fixture out of the carton, and check that all parts are included referring to the above illustration. Make sure not to misplace any parts that are needed for the installation;
2. Install the sleeve (7) onto socket (8), install the stem (4) onto nipple (4) onto nipple (3).
3. Install the lantern (9) onto arm (6), then secure them with thumb screw (10).
4. Install the loop (1) onto nipple (2).
5. Fixture is ready for lamping and installation.