



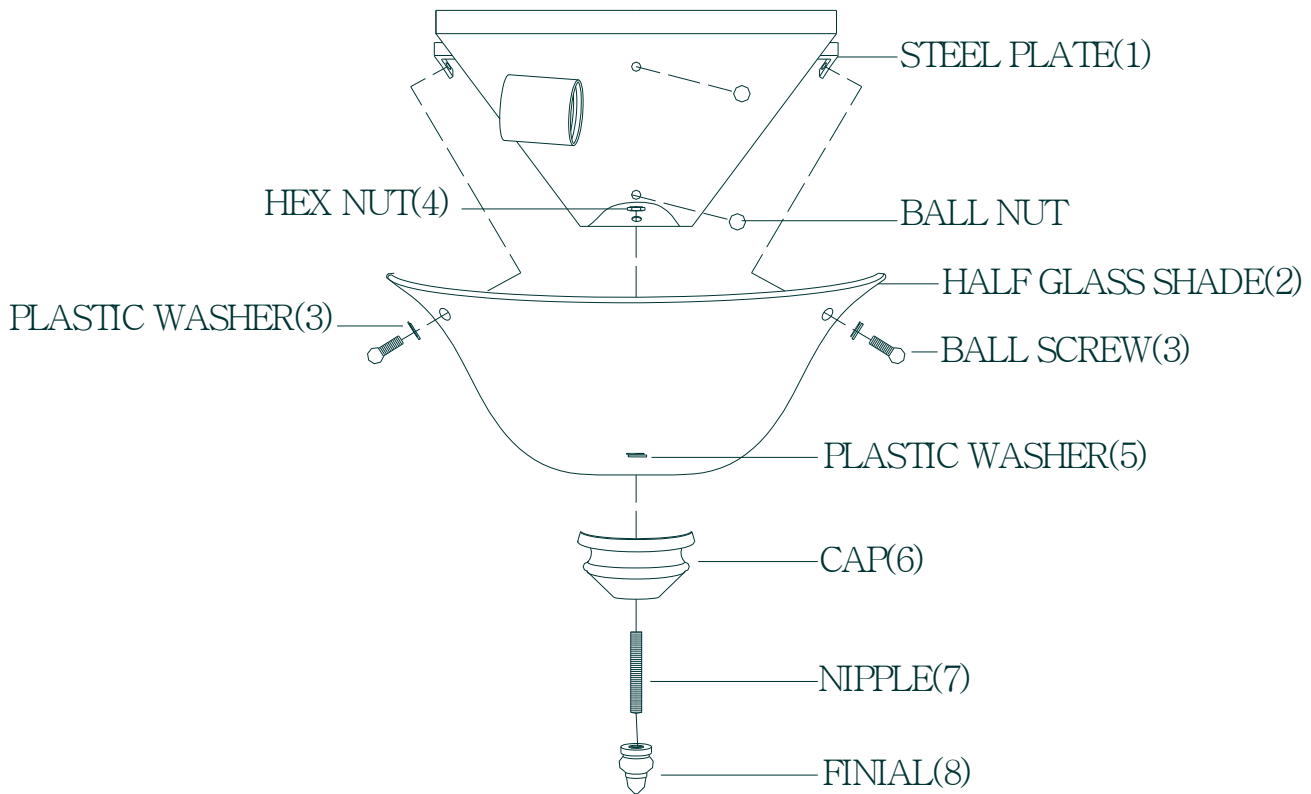
LIGHTING

ITEM NO:9P-60510-1-13

9P-60510-1-187

9P-60510-1-247

9P-60510-1-275



INSTALLATION INSTRUCTIONS

1. Carefully remove the fixture out of the carton, and check that all parts are included referring to the above illustration. Make sure not to misplace any parts that are needed for the installation;
2. Thread nipple(7) through hole of the backplate using hex nut(4) on, then slide the plastic washer(5), half glass shade(2), cap(6) onto nipple(7), and secure it with finial(8);
3. Install the ball screw(3) through hole of the plastic washer(3) and half glass shade(2) into steel plate(1);
4. The fixture is assembled!