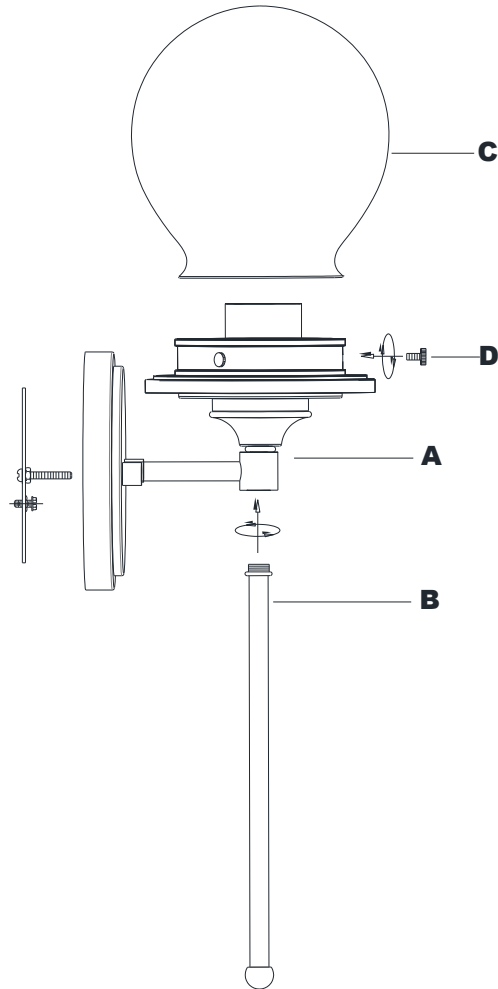




ASSEMBLY INSTRUCTIONS

ITEM NO.: 9-231-1-109



B → A → C → D

1. Carefully unpack and identify all parts referring to the illustration for parts identification.
2. Turn power to the installation point OFF.
4. Thread the top of tube (B) into the fixture body (A). Hands tighten until snug.
6. Install proper bulb (not provided) to socket referring to the markings and/or labels on the fixture for maximum wattage.
7. Locate the top neck of the glass (C) into the top cap of fixture body (A) and secure it with screws (D).
8. Referring to the installation instruction with the product for the wiring and installation.
9. Restore power to the installation point ON. Retain this sheet for future reference.