

SHOWER
258 | 01.17

SFA



The user should retain these instructions for future reference
À lire attentivement et à conserver à titre d'information



SANISHOWER®

IMPORTANT/ IMPORTANTE
DO NOT RETURN ANY MERCHANDISE TO THE VENDOR
NE PAS RETOURNER DE MARCHANDISE AU VENDEUR

For customer Service, Returns or Technical Questions, please call Saniflo's Technical support toll-free at
800-571-8191 (USA) or 800-363-5874 (CDN).

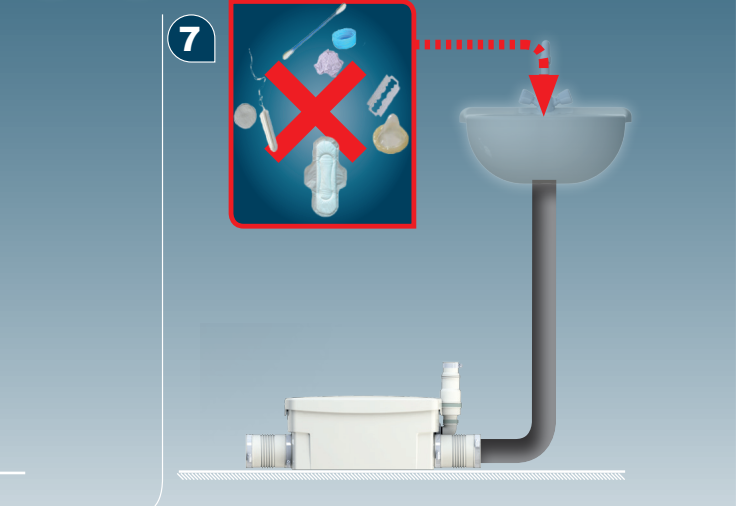
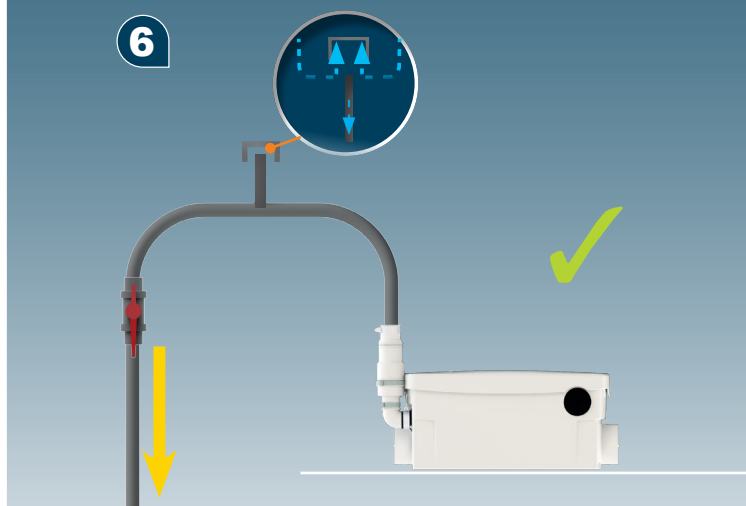
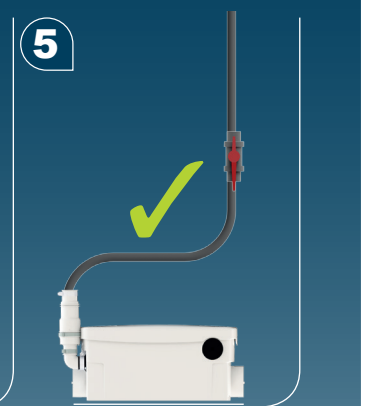
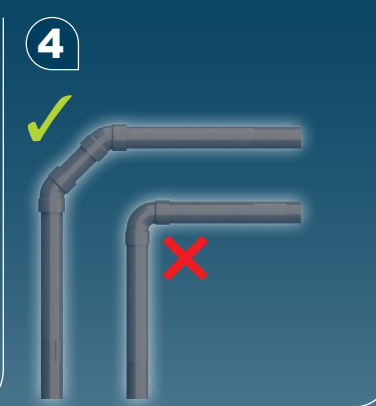
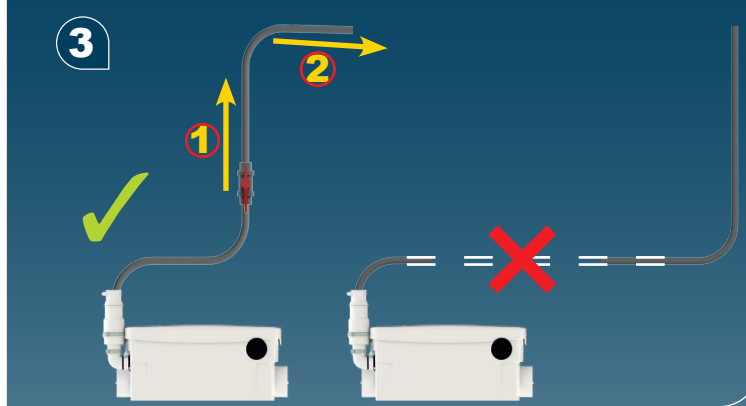
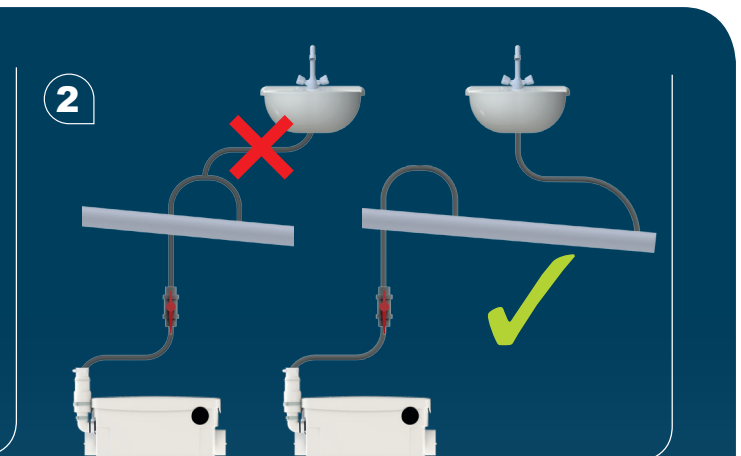
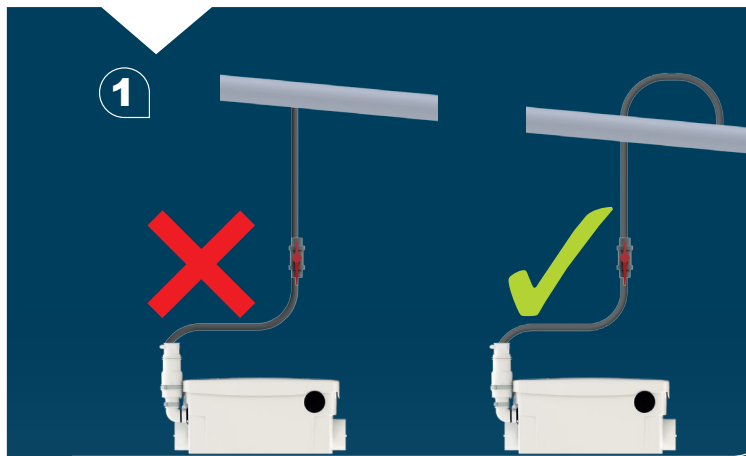
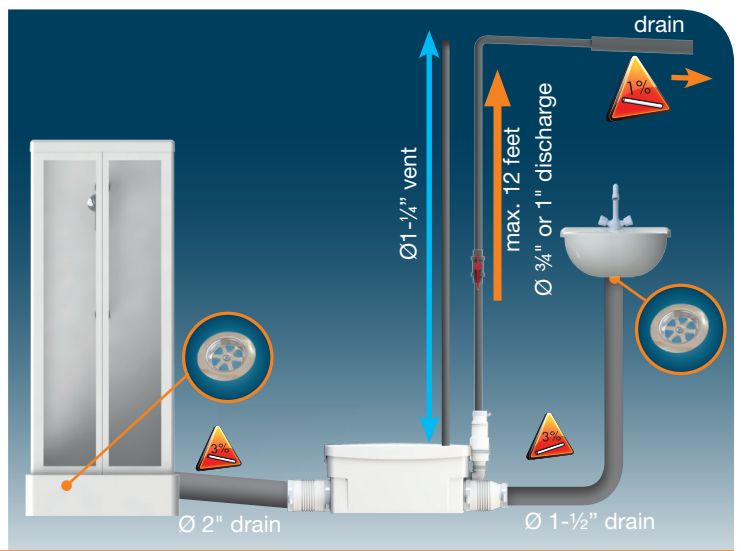
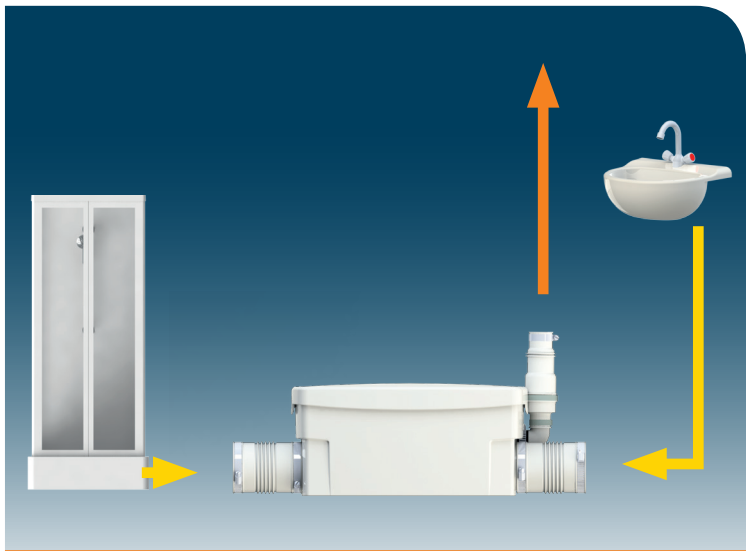
Pour le service client, les retours ou toute question technique, merci d'appeler le service technique de Saniflo
au numéro suivant : 800-877-8538 (CDN).

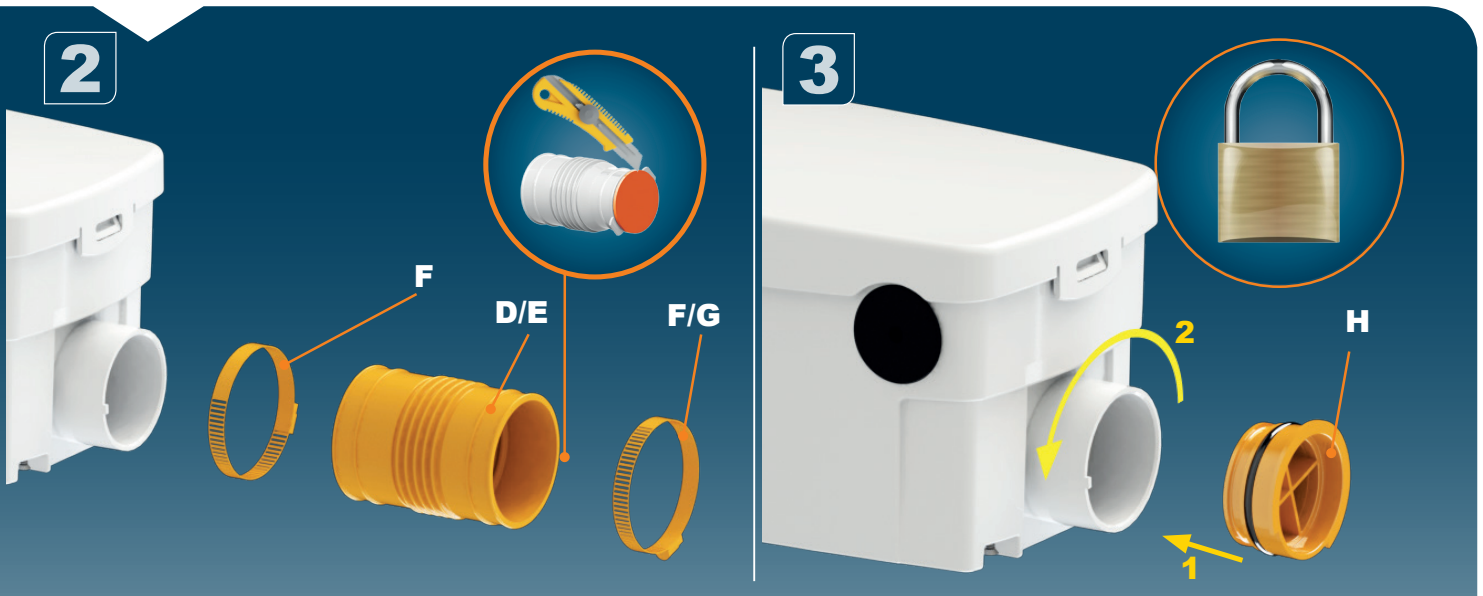
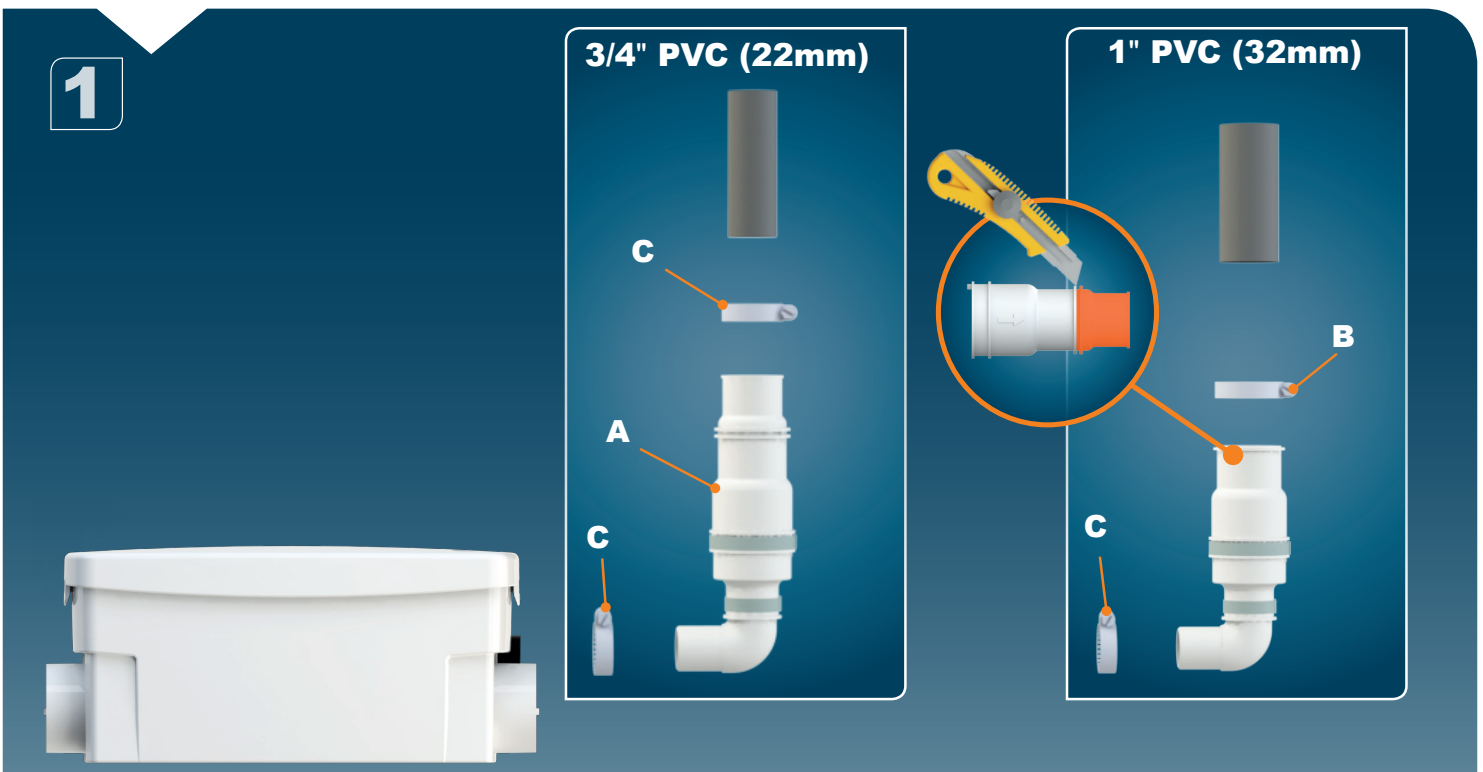
**This product must be installed in strict accordance with local plumbing codes.
Product should be installed by a licensed plumber.**

**Le produit doit être installé dans le respect des règlements sanitaires locaux.
Le produit doit être installé par un plombier qualifié.**

**El producto debe ser instalado en estricto acuerdo con los códigos locales de plomería.
El producto debe ser instalado por un plomero con licencia.**

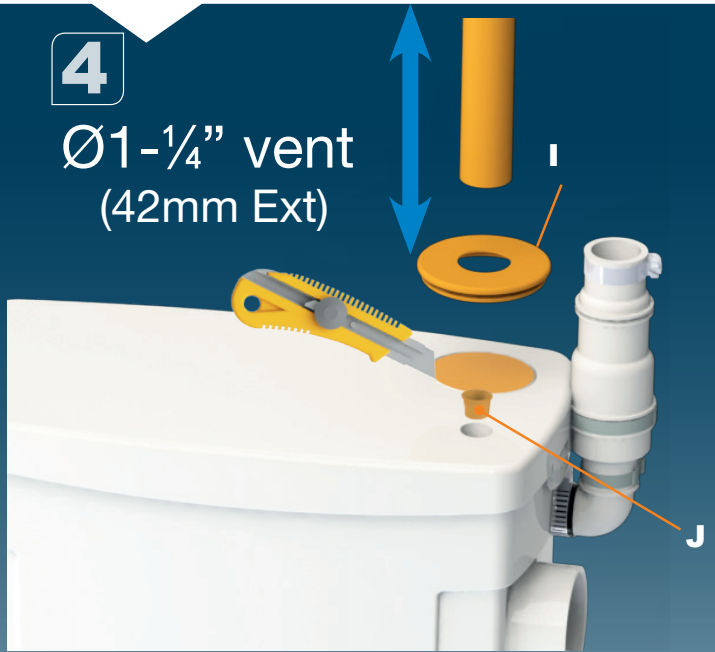




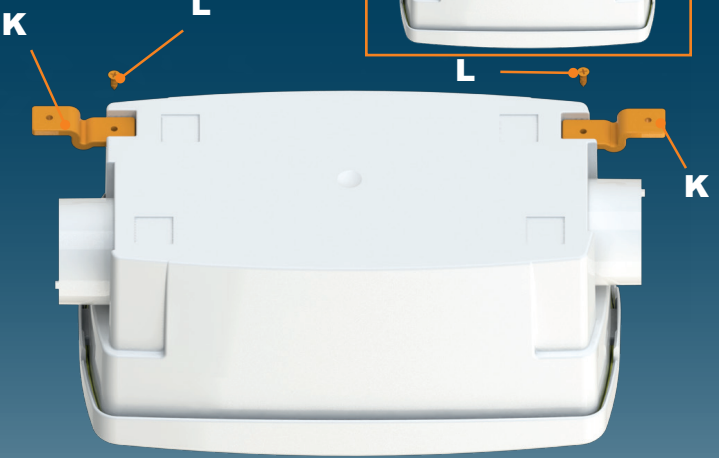


4

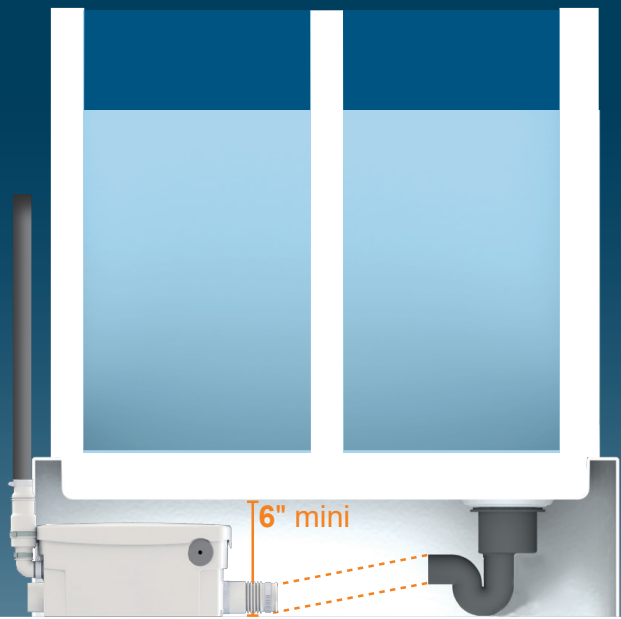
Ø1-¼" vent
(42mm Ext)



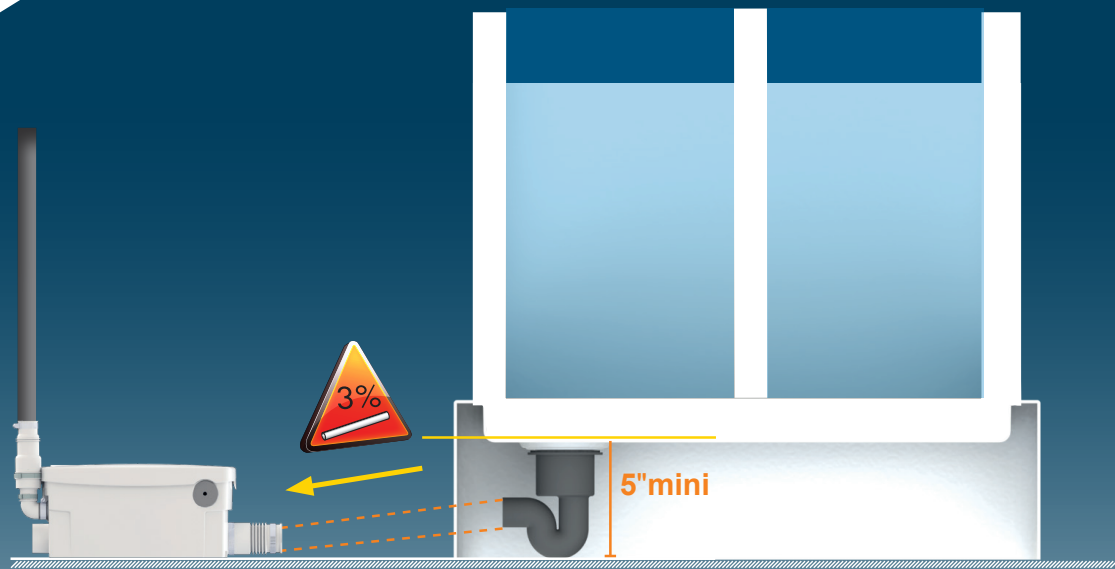
5

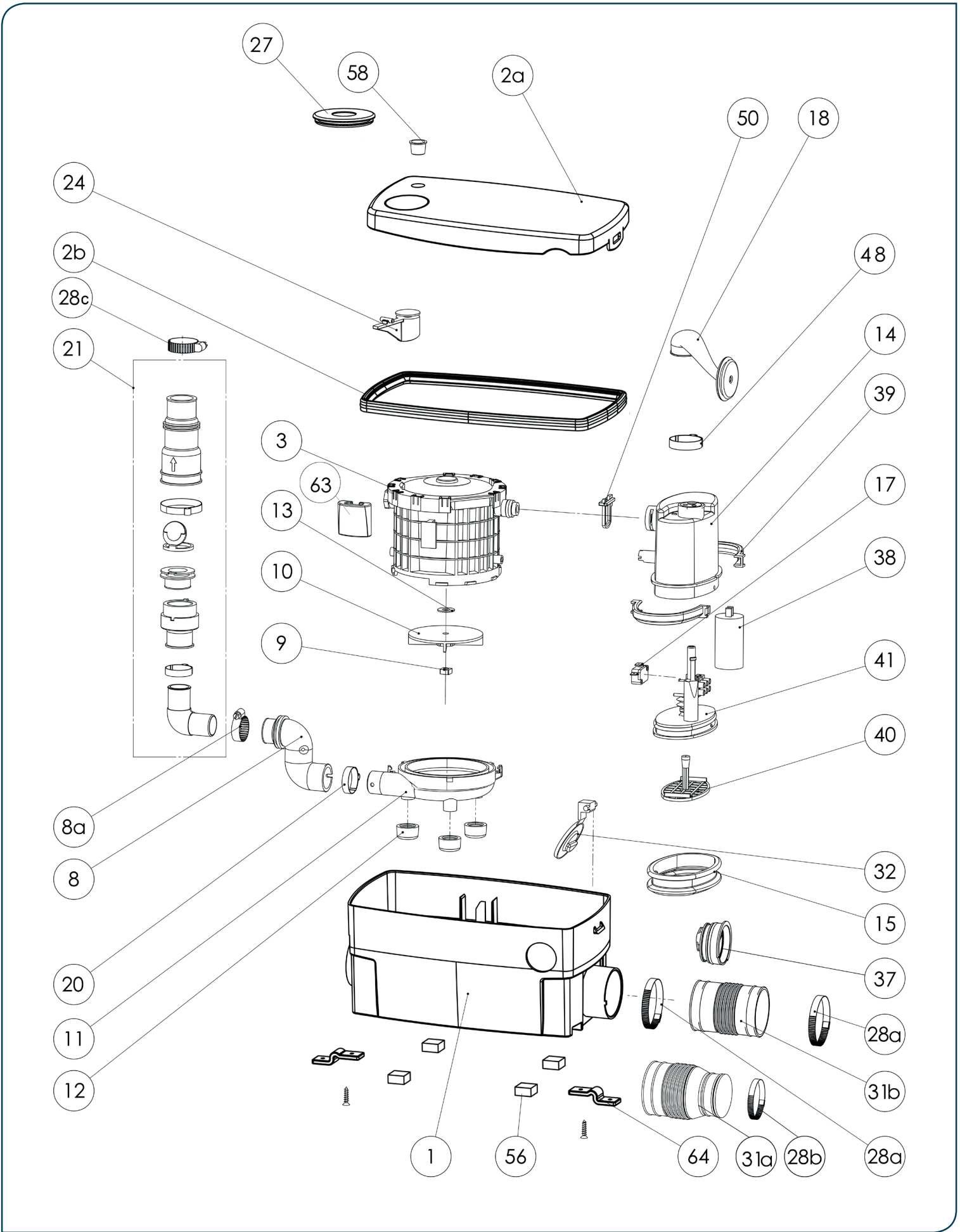


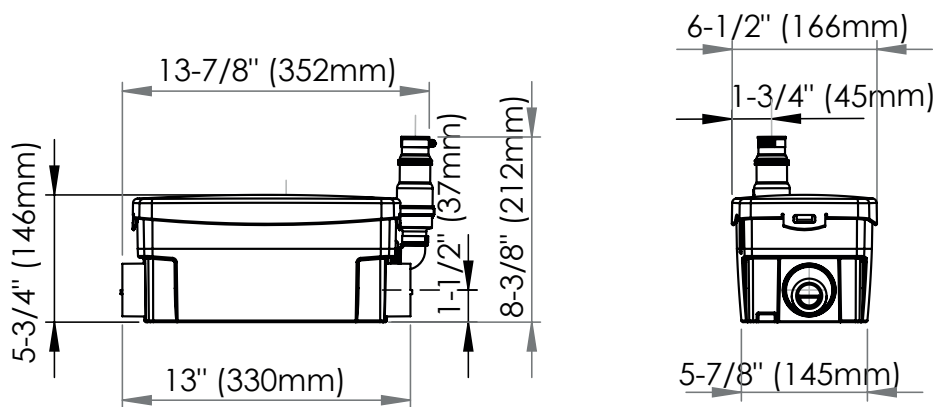
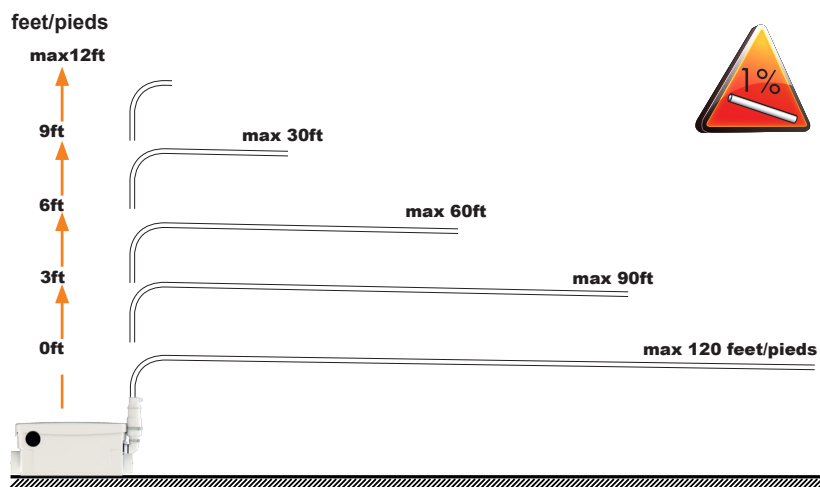
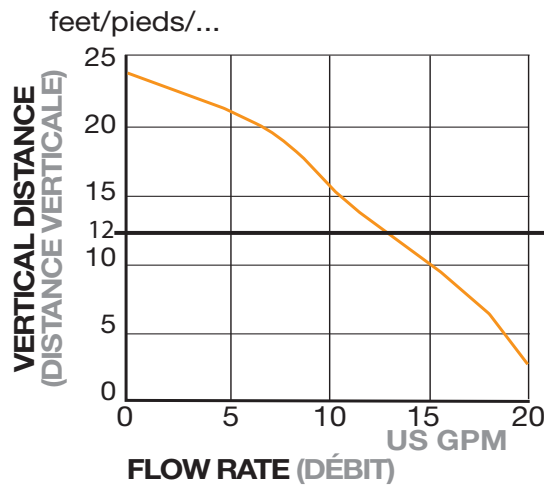
6



7







SANISHOWER

120 V - 60 Hz - 3,5A - IP44
(class 1) - ⏏ - 1/5 HP
3,5 KG - 7.7pounds



For service or for further inquiries, please call or contact one of the following addresses:

Pour le service et d'autres demandes de renseignements, veuillez appeler à l'une des adresses indiquées ci-dessous :

United States
 SFA-SANIFLO INC.
 105 Newfield Avenue, Suite A
 Edison, NJ 08837

Canada
 SFA-SANIFLO INC.
 1-685 Speedvale Avenue West, Unit 1
 Guelph, ON
 N1K 1E6

Toll Free: 1-800-571-8191
 Phone: 1-732-225-6070
 Fax: 1-732-225-6072
 E-mail: sfasales@saniflo.com
 Web Site: www.saniflo.com

Toll Free : 800-363-5874 English
 Numéro sans frais : 800-877-8538 Français
 Téléphone : 519-824-1134
 Télécopieur : 519-824-1143
 Courriel : sales@saniflo.com
 Site Web : www.saniflo.ca or/ou www.saniflo.ca/fr

SANISHOWER®

EN IMPORTANT ADDITIONAL INFORMATION

I INTRODUCTION

This drain pump is manufactured in a factory which is quality certified to ISO 9001 (2000). To benefit from the advantages provided by this new generation system, it is important to comply with the installation instructions.

II GENERAL DESCRIPTION

The drain pump unit is a residential pumping system for gray water fixtures. It can simultaneously receive gray water from sanitary fixtures such as a sink, a shower, etc.

Installed and used correctly, this system will give consistent and reliable service.

This system must discharge into a minimum 3/4" sanitary drain pipe.

The discharge diameter cannot be larger than 1" pipe.

This system will pump up to 12 Ft vertically or 100 Ft horizontally, with a minimum 1/4" per foot gravity fall constantly throughout the horizontal run to the point of discharge.

III INSTALLATION ADVICE

1. The unit shall be positioned on the same level and adjacent to the fixtures.
2. All discharge pipe work must be connected to the soil stack by an appropriate and approved connection (a "wye" fitting is preferable). Note that the connection into a horizontal soil stack shall be through the top of the pipe.
3. The discharge pipe from the system shall be an independent line as no other drain pipe shall tie into it.
4. Any initial horizontal pipe run from the unit, prior to the vertical lift, should not exceed 18 inches.

Note: After the first vertical run, any run afterwards should be in a horizontal manner with the required slope. Therefore, you cannot change directions in

an upward vertical manner.

5. Use long sweeping 90 degree elbows or two 45 degree elbows back-to-back to create the 90 degree turn.
6. When the point of discharge into the soil stack is lower than the base of the unit, a vacuum relief valve may need to be fitted at the highest point of in the pipe run in order to avoid siphonage.
7. The unit cannot accept without damage the disposal of sanitary items such as condoms, tampons, sanitary pads, cottons swabs, etc.
8. Any drain pipe leading into the pump shall have a minimum 1/4" per foot gravity fall. Any horizontal discharge pipe shall also have this minimum pitch.
9. The total run on the discharge pipe shall be no less than 3 ft (combined) before it drains into a larger stack.

IV DIMENSIONS & DISCHARGE CAPACITY

See Page 6

V NORMAL OPERATING CYCLE

As the shower and sink discharge, the water enters the unit and the water level begins to rise, triggering the micro-switch in the pressure chamber. This in turn activates the motor. The waste water is picked up by the impeller and discharged through a 3/4" or 1" outlet pipe to a sanitary sewer or soil stack.

VI CONNECTION OF THE DISCHARGE PIPE

These systems are provided with a discharge elbow which has a built-in check valve (A) and a step-down rubber connection (A). Follow these steps to connect to your discharge pipe.

1. Insert the larger end of the plastic discharge elbow (A) into the rubber discharge hose coming out from the side of the pump.

2. Rotate the discharge to any direction and secure the base of the elbow with a clamp (C).

For 1" PVC (32 mm)

3. Connect the step-down rubber connection (A) to the other end of the plastic coupling ; secure with a clamp (C).
 4. Cut off the end of the step down rubber connection to fit the diameter required (3/4" or 1").
- Note:** Install a ball valve in the discharge line in order to facilitate the removal of the unit.

If you want the unit to pump vertically and horizontally, you may calculate that 3 Ft of vertical lift is equivalent to 30 Ft of horizontal run. Note that all horizontal runs require a 1/4" per foot gravity fall. Each bend or change in direction causes minor losses which must be deducted from the discharge performance (i.e. reduce discharge height by 1 Ft for each 90 degree turn). Use long sweeping 90 degree elbows or two 45 degree elbows back-to-back to create the 90 degree turn. **(Do not use 90 degree elbows)**

VII PREPARING THE UNIT

Follow steps on page 3.

VIII CONNECTION TO A VENT SYSTEM

The unit must be vented. It must be connected to a vent system according to your local plumbing codes.

Cut open the top section on top of the case. Insert the couplings (I) and add silicone to create a good seal. Insert and secure your PVC pipe. Note that all fixtures connected to the system must also be vented.

Warning: Do not use an air admittance valve or a mechanical spring-loaded venting device, as these devices are one-way valves. The air pressure in and outside the unit must be equal.

IX CONNECTION OF SANITARY FIXTURES

The unit is equipped with two 2" inlets, one on either side of the case. These inlets, which incorporate an internal check valve, are used to connect the drainpipe of sanitary fixtures to the unit.

Use the provided 2" x 2" coupling (D) when connecting a shower or the 1-1/2" x 2" coupling (E) when connecting a sink. Secure these connections with clamps (F, G) once they are installed.

Note: In case one of the inlets is not used by a fixture, you will need to block off this inlet with the plugs provided (H).

Any standard shower stall may be used as only the drainpipe connects to the system. Note that when installing these fixtures, a platform would need to be built in order to raise the shower.

It is required that when connecting a shower to the unit, the base of the shower tray, be raised by at least 5" from the floor. A platform can be build out of 2" x 6" lumber on which the shower tray would be placed.

Note: The actual distance between the p-trap of the additional fixture and the unit determines the necessary clearance to install the p-trap and elevation required to ensure a minimum gravity flow of 1/4-inch per foot.

Therefore, the further the pump is away from the connecting fixture, the higher the platform would need to be raised considering the gravity fall required.

X CONNECTION TO THE ELECTRICAL SUPPLY

All wiring should be in accordance with the applicable electrical code in your territory.

The system requires a single-phase 120-volt, 15 amp. supply. When installed in a bathroom, the receptacle should be 40 inches away (in a straight line) from a shower. Connect only to a receptacle protected by a ground fault circuit interrupter (GFCI).

WARNING: Risk of electric shock - this pump is supplied with a grounding conductor and grounding type attachment plug. To reduce the risk of electrical shock, be certain that it is connected only to a properly grounding - type receptacle.

XI ACTIVATING THE UNIT/USAGE

Run the water from the shower or the sink connected to the pump and check that connections are water tight and that the pump starts and stops correctly.

The pump starts automatically as soon as the shower or the sink begins to drain. It shuts down when all the water has been drained.

Note that the pump will work intermittently as the pump will turn on and off for several cycles until it discharges all the water.

The normal domain of application of SFA pumping units only concerns the disposal of gray water.

Warning: Do not discharge any acids, alkaloids, solvents painting, paint strippers, food waste, plastic bags, metal such as nails, hairpins, wood, building materials, kitty litter or anything that could halt or damage or corrode the unit.

Disregarding the above might damage the unit and shall void your warranty.

In the event of a power loss do not use any other sanitary fixture connected to the macerating unit since it will not work until the power is restored.

There is nothing wrong with cleaning out the unit once a year. Do not use bleach (be careful not to let water enter the electrical cord opening).

The unit starts automatically once waste drains into the pump from a shower, hand basin, etc.

In areas, which are prone to freezing, the total system must be properly winterized. This includes the draining of all pipes and the drain pump.

The system is simple to winterize. Pour a jug of plumber's anti-freeze into the pump case or into a connecting fixture. This will cause the unit to activate and all remaining water will be replaced by plumber's anti-freeze.

No parts or labor are warranted when a breakdown occurs due to freezing.

Ensure that there are no faucets left open. Drops will eventually fill up the pump and as a result, the motor will activate repeatedly.

XII ACCESS TO MAIN COMPONENTS

(For qualified personnel only)

The unit is very reliable and with normal use, it is assured to provide service for several hundred thousand cycles. However, there may be instances when some little intervention may be required.

Warning: Before attempting any work, please make sure to unplug the unit from the power supply.

1. If a foreign object falls inside the unit and gets clogged in the impeller system, please pry open the top of the case and remove the foreign object. For further information, call our technical support line.

2. If the capacitor, microswitch or membrane needs to be replaced, please contact our technical support line for further instructions.

Warning: Before attempting any work, please make sure to unplug the unit from the power supply.

These three components are considered to be part of the pressure sensing section of the pump. In case of questions on how to replace these, please call the technical support number listed on the cover of this manual.

XIII RETURN AND REPAIR OF THE UNIT

In the event that the unit needs to be returned for service, please call for possible options, or to inquire about an authorized repair shop in your area. When you are required to return the unit to the manufacturer or repair shop, please ensure that prior to shipping, the unit has been cleaned and disinfected inside and outside. Soiled pumps present a health hazard to all persons handling them, therefore, soiled pumps will be accepted solely at the discretion of the receiver. A labor charge may be in effect for cleaning. Please package the unit properly with adequate shock absorbent material around it. If any repairs are done outside the warranty period, or when the user has damaged the unit, you will be apprised of repair costs.

XIV MAINTENANCE

(For qualified personnel only)

1. If the unit needs to be opened or if the motor needs to be removed, please pry open the lid for easy access. There will be a gasket in between the lid and the casing which prevents any leakage in the unit.

2. Note that the motor is filled with dielectric oil. Do not remove it or replace with regular oil. Please note that the distributor purposely does not keep seals, bearings or oil in stock. If the cap which holds the oil in place is removed, warranty is voided automatically.

3. When closing the lid, make sure to grease or lubricate the lid seal with soapy water or dish soap. The lid seal must be installed on the pump case prior to installing the lid. Once you have the lid almost in place, work yourself around the lid tapping down on the lid with a rubber mallet or block.

LIMITED WARRANTY

2 Year Warranty from Date of Purchase

Subject to the terms and conditions set out below, SFA-SANIFLO INC., (hereafter designated the as the Company) warrants that it will repair or replace the product or any of its component parts, at the Company's discretion if it deems that the product or part it is defective or does not meet the rated performance due to a manufacturing or material default.

If replacement is to be issued, this will only be extended to the first year starting from the date of purchase. Warranty repairs will apply after such date up to the warranty's date of conclusion.

TERMS AND CONDITIONS

The conditions of this warranty are the following:

- The product must be installed in accordance with the use described in the enclosed manuals.
- The product must be connected to a single phase 120V, 60Hz electrical outlet and was not subject to any negligence, accident or exposure to harmful products or substances..
- The alleged defect or fault must be reported either to the installer or to the Company during the warranty coverage period.
- The warranty coverage period is valid for 2 years.

PART OR PRODUCT EXCHANGE

The product may be exchanged without cost only at the sales outlet where it was purchased subject to the following conditions:

- The customer must have an "authorized return number" from the manufacturer in order to validate exchange.
- The customer must produce proof of purchase to validate exchange.

LIMITATIONS

- 1.Fill and flush mechanism are guaranteed as per OEM warranty only.
- 2.Vitreous china are guaranteed only for a factory defect.
- 3.Cost of disconnection and reconnection (ie labor charges) are not covered by the warranty and are end-users responsibility.
- 4.Cost of mail or freight when a part or parts of the system have to be repaired at the company are not covered by this warranty.
- 5.In no event shall the company be liable for any special, incidental or consequential damage, loss, or injury of whatsoever nature or kind arising from or in connection with the product or any component thereof.
- 6.The guarantee is transferable only when the product remains at the same premises as where it was installed initially.

Except as set forth in this Limited Warranty, the company disclaims all other warranties, express or implied, with respect to the product or any component thereof including, but not limited to, all implied warranties for merchantability and fitness for a particular purpose

For service or for further inquiries, please contact one of the following addresses:

United States

SFA-SANIFLO INC.
105 Newfield Avenue, Suite A
Edison, NJ 08837

Toll Free: 1-800-571-8191
Telephone: 1-732-225-6070
Fax: 1-732-225-6072
E-mail.: sfasales@saniflo.com
Web Site: www.saniflo.com

Canada

SFA-SANIFLO INC.
1-685 Speedvale Avenue West
Guelph ON
N1K 1E6

Toll Free: 1-800-363-5874 English
Toll Free: 1-800-877-8538 French
Telephone: 1-519-824-1134
Fax: 1-519-824-1143
E-mail.: sales@saniflo.com
Web Site: www.saniflo.ca

I INTRODUCTION

Cette pompe à eaux usées est fabriquée dans une usine certifiée ISO 9001 (2000).

Pour profiter pleinement des avantages fournis par cette nouvelle génération de système, il est important de se conformer aux instructions d'installation.

II DESCRIPTION GÉNÉRALE

Cette unité est un système de pompage résidentiel pour eaux usées. Cette pompe peut recevoir simultanément les eaux en provenance d'un lavabo ou d'une douche.

Installé et utilisé correctement, ce système est performant et fiable.

Le diamètre d'évacuation ne doit pas excéder un tuyau de 1 pouce.

L'évacuation se fait au travers d'un tuyau d'au moins 3/4 de pouce de diamètre.

Ce système peut pomper jusqu'à 12 pieds verticalement ou 100 pieds horizontalement, avec une descente constante par gravité d'au moins 1/4 de pouce pour 1 pied (minimum), et ce tout le long du parcours, jusqu'au point d'évacuation.

III CONSEIL D'INSTALLATION

1. La pompe doit être placée au même niveau et adjacent aux appareils.

2. Tout raccordement des tuyaux d'évacuation à la colonne de renvoi doit être fait avec un raccord approprié et homologué (raccord en Y préférable).

3. Le tuyau de déversement du système doit être une ligne indépendante, un autre tuyau d'évacuation ne doit y être relié.

4. Les tuyaux horizontaux sortant du cabinet et placés avant un tuyau vertical ne doivent pas avoir plus de 18 po de longueur.

Remarque : Lorsque vous avez commencé l'installation d'un tronçon horizontal, vous ne pouvez changer de direction vers le haut verticalement.

5. Utiliser des angles les plus ouverts possibles. Ne pas utiliser de coudes courts. S'il est impossible d'installer un coude de 90° à grand rayon, utiliser deux coudes de 45° pour effectuer un virage de 90°.

6. Si le point de déversement dans la colonne de renvoi est plus bas que la base de la pompe, il peut être nécessaire de poser un casse-vidé au point le plus élevé de la tuyauterie pour empêcher le siphonage de la pompe.

7. La pompe est conçue uniquement pour une utilisation courante. Elle ne peut évacuer des déchets sanitaires tels que des préservatifs, des tampons, des serviettes sanitaires, des cotons tiges, etc. sans risque d'endommagement.

8. Tout tuyau de drainage menant à la pompe doit avoir

au minimum 1/4 po de pied. Tout tuyau d'évacuation horizontal doit aussi avoir cette pente minimale.

9. La longueur totale du tuyau d'évacuation doit être d'au moins 3 pieds (combinés) avant le déversement dans la colonne de renvoi plus grande.

10. La tuyauterie de l'appareil au point d'évacuation, ne doit jamais être installée avec une pente diagonale ascendante.

IV DIMENSIONS ET CAPACITÉ D'ÉVACUATION

Voir page 6

V CYCLE NORMAL DE FONCTIONNEMENT

Lorsque l'eau de la douche ou du lavabo est évacuée, l'eau sale entre dans le système. Le niveau de l'eau monte dans le boîtier, ce qui enclenche le micro-interrupteur de la chambre de pression. Cela met en marche le moteur.

Les eaux usées sont ramassées par la turbine et évacuées via un tuyau d'évacuation de diamètre 3/4" ou 1" jusqu'à la colonne de renvoi et l'égout vanne.

VI RACCORDEMENT À LA TUYAUTERIE D'ÉVACUATION

Ces systèmes sont fournis avec un coude de d'évacuation qui intègre un clapet anti-retour (A) et un manchon de réduction (A).

Suivez ces étapes pour vous connecter à votre tuyau d'évacuation.

1. Insérez le plus petit embout du coude d'évacuation en plastique (A) dans le tuyau d'évacuation de caoutchouc sortir par le côté de la pompe.

2. Faire pivoter l'évacuation dans n'importe quelle direction et serrez la base du coude avec un collier (C).

Pour 1 po PVC (32 mm)

3. Connectez le manchon à réduction (A) au raccord en plastique ; serrez avec un collier (C).

4. Couper l'extrémité du raccord en caoutchouc vers le bas pour s'adapter au diamètre requis (3/4" ou 1")

Remarque : L'installation d'un robinet-vanne dans le tuyau d'évacuation est recommandée de manière à faciliter le retrait de la pompe ou à faire un entretien au besoin.

Si vous voulez que l'appareil pompe verticalement et horizontalement, vous devez tenir compte du fait que trois pieds de montée verticale sont équivalents à trente pieds de trajet

horizontal.

Notez que tous les coudes horizontaux doivent avoir une pente descendante minimum de 1/4 de po par pied.

Chaque courbe ou changement de direction provoque une perte de charge dont il faut tenir compte en calculant la capacité d'évacuation, selon les méthodes habituelles de calcul de perte de charges (pour chaque courbe de tuyau à 90°, soustrayez environ 1 pied de hauteur de relevage).

Utilisez des courbures de tuyaux plutôt que des coudes. Utilisez deux coudes de 45° pour former un coude 90°. **N'utilisez pas les coudes de 90°.**

VII PRÉPARATION DE LA POMPE

Suivez les étapes sur page 3.

VIII RACCORDEMENT À UN SYSTÈME D'AÉRATION

Cet appareil doit être ventilé. L'appareil doit être relié au système d'aération conformément aux réglementations locales. Découpez la partie supérieure sur le dessus du boîtier.

Insérez l'accouplement (I) et ajoutez du silicone pour créer une bonne étanchéité. Insérez et fixez votre tuyau en PVC. A noter : tous les appareils connectés au système doivent aussi être ventilés.

Attention : N'utilisez pas de vanne d'admission d'air ni un évent à ressort car ces mécanismes sont à sens unique. La pression d'air doit demeurer uniforme à l'intérieur et à l'extérieur de la pompe.

IX CONNEXION DES APPAREILS SANITAIRES

L'unité est équipée avec deux orifices d'entrée de 2 po d'un côté et de l'autre du boîtier. Ces deux orifices, qui chacun comprend un clapet interne, sont utilisés pour branchement d'appareils sanitaires.

Utilisez le manchon fourni de 2 po x 2 po (D) lors de la connexion d'une douche ou le manchon de 1 1/2 po x 2 po (E) lors de la connexion d'un évier. Serrez ces connexions avec les colliers (F, G) une fois qu'ils sont installés.

Remarque : Si une entrée n'est pas utilisée, celle-ci doit être bloquée à l'aide d'un bouchon fourni (H).

Il est possible d'utiliser n'importe quelle douche, puisque seul le drain est raccordé à la pompe. Nous vous recommandons de construire une plate-forme pour élever la douche.

Il est nécessaire lors de la connexion d'une douche à l'appareil, de soulever le dessous du bac à douche d'au moins 5 po par rapport au sol. Une plate-forme peut être construite en bois 2 po x 6 po sur laquelle est placée le bac à douche.

Remarque : La distance réelle entre le siphon en P de l'appareil sanitaire et la pompe détermine la hauteur requise pour assurer un écoulement par gravité d'au moins ¼ de po pour 1 pied. Par conséquent, plus la pompe est loin de l'appareil sanitaire, plus la plate-forme a besoin d'être soulevée, compte tenu de la gravité nécessaire.

❏ RACCORDEMENT ÉLECTRIQUE

Tous les branchements électriques doivent être conformes aux normes électriques en vigueur dans votre région.

Le système requiert une alimentation monophasée de 120v 15 A. Si la prise de courant est située dans une salle de bain, elle doit être à une distance de 40 po (en ligne directe) d'une douche ou d'une baignoire. Ne connectez l'appareil qu'à une prise de courant protégée par un disjoncteur différentiel (GFCI).

ATTENTION : Risque de choc électrique - cet appareil est muni d'un disjoncteur de terre et d'une prise de terre. Afin de réduire le risque d'électrocution, vérifiez que votre appareil est branché sur un circuit électrique relié à la terre avec prise de terre.

❏ MISE EN MARCHÉ DE L'APPAREIL / UTILISATION

Faire couler l'eau de la douche ou du lavabo raccordé à la pompe et vérifier que les raccords sont étanches et que la pompe démarre et s'arrête correctement.

La pompe démarre automatiquement dès que l'eau de la douche ou de l'évier commence à s'écouler. Elle s'arrête quand toute l'eau a été pompée.

Notez que la pompe fonctionne de façon intermittente car la pompe s'allume et s'éteint pendant plusieurs cycles jusqu'à ce qu'elle décharge toute l'eau pour vérifier la tuyauterie d'évacuation.

Les pompes de SFA s'utilisent normalement uniquement pour évacuer les eaux usées.

MISES EN GARDE :

Il est strictement interdit de jeter dans les appareils connectés à la pompe des acides, des alcaloïdes, des solvants, de la peinture, des décapants à peinture, des déchets alimentaires, des sacs plastique, des tissus, du plâtre, des gravats, de la

litière pour chats ou toute autre matière qui pourrait bloquer, endommager ou corroder l'appareil. Si cette mise en garde n'est pas respectée, la pompe pourrait être endommagée et la garantie pourrait être annulée.

En cas de panne de courant, n'utilisez pas les autres appareils sanitaires qui y sont reliés, car ils ne fonctionneront pas tant que le courant n'aura pas été rétabli.

Il n'est pas mauvais de nettoyer la pompe une fois par an. N'utilisez pas de javellisant (veillez à ce qu'il n'y ait pas d'eau qui pénètre dans l'ouverture du cordon électrique). L'appareil se met automatiquement en marche dès que la douche ou le lavabo se vident.

Dans les régions où il y a risque de gel, le système doit être protégé adéquatement contre le gel. Cela signifie vider tous les tuyaux et la pompe. Pour protéger le système de broyage contre le gel, il suffit de verser 4 litres d'antigel pour appareils de plomberie dans la pompe ou le dispositif de raccordement. Cela activera le système et toute l'eau qui reste sera remplacée par de l'antigel.

Ni la main-d'œuvre ni les pièces ne sont couvertes par la garantie si l'appareil tombe en panne à cause du gel.

Assurez-vous qu'il n'y a pas de robinet mal fermé, sinon le moteur peut disjoncter suite aux mises en routes et arrêts fréquents. Il pourrait en résulter une inondation.

❏ L'ACCÈS AUX COMPOSANTS PRINCIPAUX

(uniquement personnel qualifié)

L'unité est très fiable et pour une utilisation normale, la fourniture de plusieurs centaines de milliers de cycles est assurée. Cependant, il peut exister des cas où une intervention peut être nécessaire.

AVERTISSEMENT :

Avant d'entreprendre des travaux d'entretien ou de dépannage, il faut débrancher l'appareil de la source d'alimentation en électricité.

1. Si un corps étranger tombe à l'intérieur de l'unité et bloque le système, veuillez ouvrir le haut du boîtier et retirer l'objet étranger. Pour plus d'informations, contactez notre service d'assistance technique.

2. Si le condensateur, le micro-interrupteur ou la membrane doit être remplacé, veuillez contacter notre service d'assistance technique pour obtenir des instructions supplémentaires.

AVERTISSEMENT :

Avant d'entreprendre des travaux d'entretien ou de dépannage, il faut débrancher l'appareil de la source d'alimentation en électricité.

Ces trois éléments sont considérés comme faisant partie de la section de la pompe sensible à la pression.

En cas de questions sur la façon de remplacer ces éléments, veuillez composer le numéro de l'assistance technique figurant sur la couverture de ce manuel.

❏ RETOUR ET RÉPARATION DE LA POMPE

Si le système doit être réparé, appelez-nous pour connaître les autres options possibles ou pour vous renseigner sur l'atelier de réparation agréé dans votre région. Lorsque vous devez retourner la pompe au fabricant ou atelier de réparation, veuillez-vous assurer qu'il a été soigneusement nettoyé et désinfecté, à l'intérieur comme à l'extérieur, avant de l'expédier. Les pompes souillées présentent un risque pour la santé des personnes qui les manipulent, par conséquent, les pompes souillées seront acceptées uniquement à la discrétion du récepteur. Des frais de manutention pourront être facturés pour le nettoyage.

Lorsque des réparations sont effectuées en dehors de la période de garantie, ou si la pompe a été endommagée par l'utilisateur, une estimation des frais de réparation est envoyée au client.

❏ DÉPANNAGE

(uniquement personnel qualifié)

1. Si vous devez ouvrir l'appareil ou si le moteur doit être supprimé, détachez le couvercle et soulevez-le. Il y a un joint entre le couvercle et le boîtier qui empêche toute fuite dans l'unité.

2. Note : Le moteur est rempli d'huile diélectrique; il ne faut pas vidanger cette huile ni la remplacer par de l'huile ordinaire. Veuillez prendre note que le distributeur ne stocke pas des joints d'étanchéité, de bagues ou d'huile. Si le bouchon qui contient l'huile en place est supprimé, la garantie est annulée automatiquement.

3. Lorsque vous replacerez le couvercle sur l'appareil, il est conseillé de lubrifier légèrement le joint d'étanchéité en caoutchouc avec de l'eau savonneuse ou du liquide à vaisselle. Le joint étanchéité doit être installé sur le boîtier de la pompe avant de mettre le couvercle. Commencez par pousser le couvercle vers le bas, puis tout autour en frappant le couvercle avec un maillet en caoutchouc ou un bloc de bois et un marteau.

GARANTIE LIMITÉE

Garantie de deux ans à partir de la date d'achat

Sous réserve des modalités et conditions énoncées ci-dessous, SFA-SANIFLO INC., (ci-après désignée comme la Compagnie) garantit qu'elle réparera ou remplacera, à son gré, le produit ou l'une quelconque de ses pièces, qui de l'avis de la Compagnie, se trouve défectueux ou ne répond pas à la performance demandée du fait d'un défaut de fabrication ou de matériau.

Si le remplacement doit s'opérer, il sera seulement valable pendant les 180 premiers jours à compter de la date d'achat. Les réparations sous garantie seront applicables après cette date jusqu'à la date de fin de garantie.

TERMES ET CONDITIONS

Les conditions de la garantie sont :

- Le produit doit être installé conformément selon l'usage décrit dans les manuels ci-joint
- Le produit doit être connecté à une prise électrique monophasée de 120V, 60Hz et ne doit être le sujet d'aucune négligence, accident ou exposition à des produits ou des substances nuisibles.
- Le prétendu défaut ou faute doit être rapporté soit à l'installateur soit à la Compagnie pendant la période de couverture de la garantie.
- La période de couverture de la garantie est valable 2 ans.

ÉCHANGE DE PIÈCE OU DE PRODUIT

Le produit pourra être échangé sans frais uniquement au point de vente où il a été acheté sous réserve des conditions suivantes :

- Le client doit avoir une «autorisation de retour » chez le fabricant afin de valider l'échange.
- Le client doit produire une preuve d'achat afin de valider l'échange.

RESTRICTIONS

1. Les mécanismes de chasse et de remplissage du réservoir sont garantis par le fabricant d'origine seulement ;
2. La porcelaine est garantie seulement contre les défauts de fabrication ;
3. La garantie ne couvre pas les frais de branchement et rebranchement de l'installation (c.-à-d. les frais de main-d'œuvre) qui sont à la charge du client ;
4. La garantie ne couvre pas les frais d'expédition ou de transport quand une pièce ou des pièces de l'appareil doit(vent) être réparé(e)s à l'usine ;
5. En aucun cas la Compagnie ne sera tenue responsable des dommages accessoires ou indirects, pertes ou blessures, de quelle que nature que ce soit, résultant de l'utilisation du produit, ou de l'un de ses compos-ants ;
6. La garantie est transférable seulement si l'appareil demeure à l'endroit où il fut installé initialement.

Sauf pour ce qui est des termes de cette garantie limitée, la Compagnie n'accepte aucune autre garantie, implicite ou explicite, ayant trait au produit ou à tout composant y afférent, incluant sans toutefois s'y limiter, toute autre garantie implicite quant à la valeur marchande ou l'adaptabilité de ce produit à une fin particulière.

Pour le service et d'autres demandes de renseignements, veuillez appeler à l'une des adresses indiquées ci-dessous.

États-Unis

SFA-SANIFLO INC.
105 Newfield Avenue, Suite A
Edison, NJ 08837

Canada

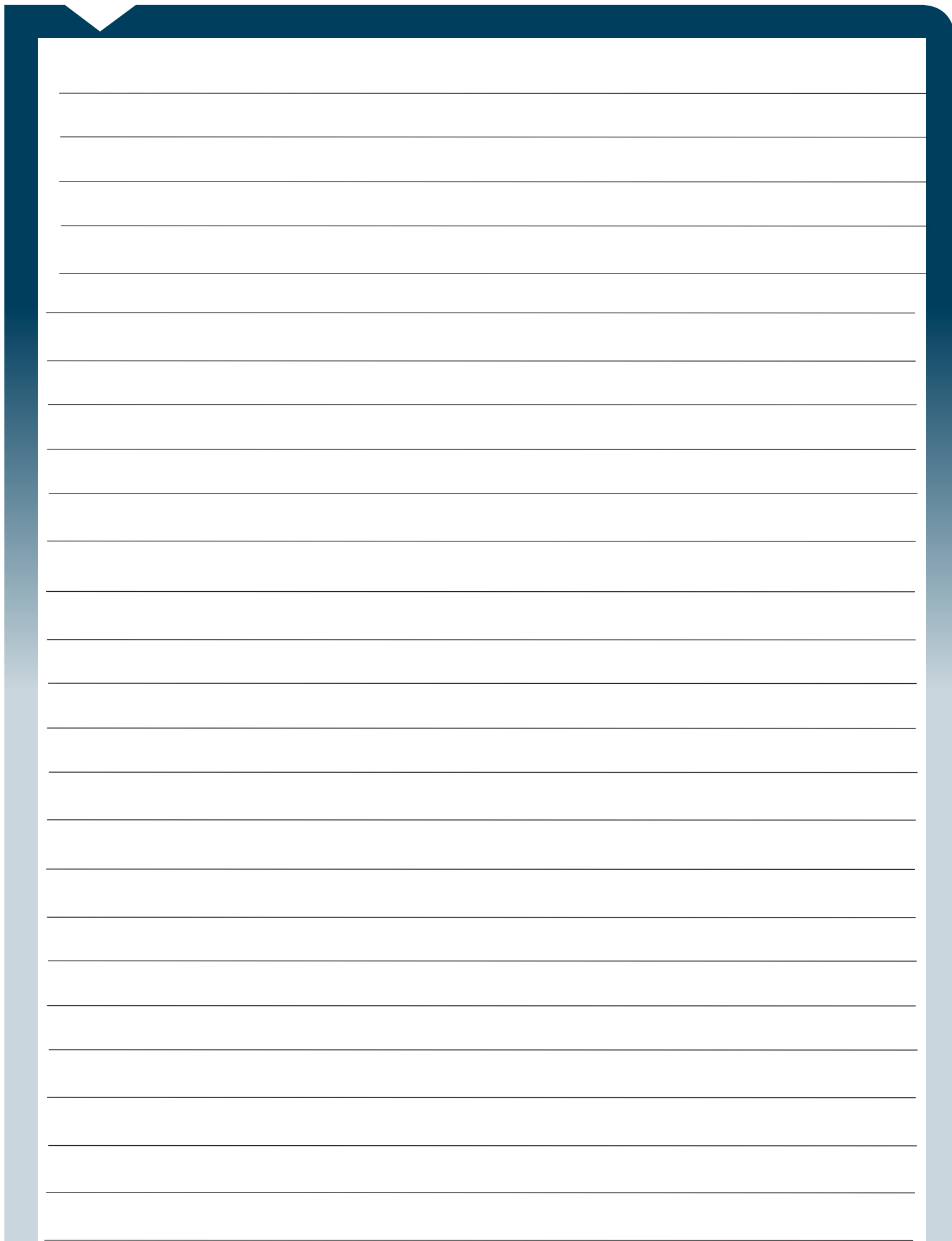
SFA-SANIFLO INC.
1-685 Speedvale Avenue West
Guelph (Ontario)
N1K 1E6

Toll Free: 800-571-8191
Telephone: 732-225-6070
Fax: 732-225-6072
E-mail: sfasales@saniflo.com
Web Site: www.saniflo.com

Numéro sans frais : 800-363-5874 English
Numéro sans frais : 800-877-8538 French
Téléphone : 519-824-1134
Télécopieur : 519-824-1143
Courriel : sales@saniflo.com
Site web : www.saniflo.ca/fr

This image shows a blank sheet of lined paper, likely from a notebook or binder. The paper is white with horizontal ruling lines. It is framed by a dark blue border, which has a notch at the top left corner, suggesting it was part of a binder. The lines are evenly spaced and extend across the width of the page. There is a small orange and light blue strip at the bottom edge, possibly representing a binding or a piece of tape.





SFA