



The user should retain these instructions for future reference  
A lire attentivement et à conserver à titre d'information

## **IMPORTANT**

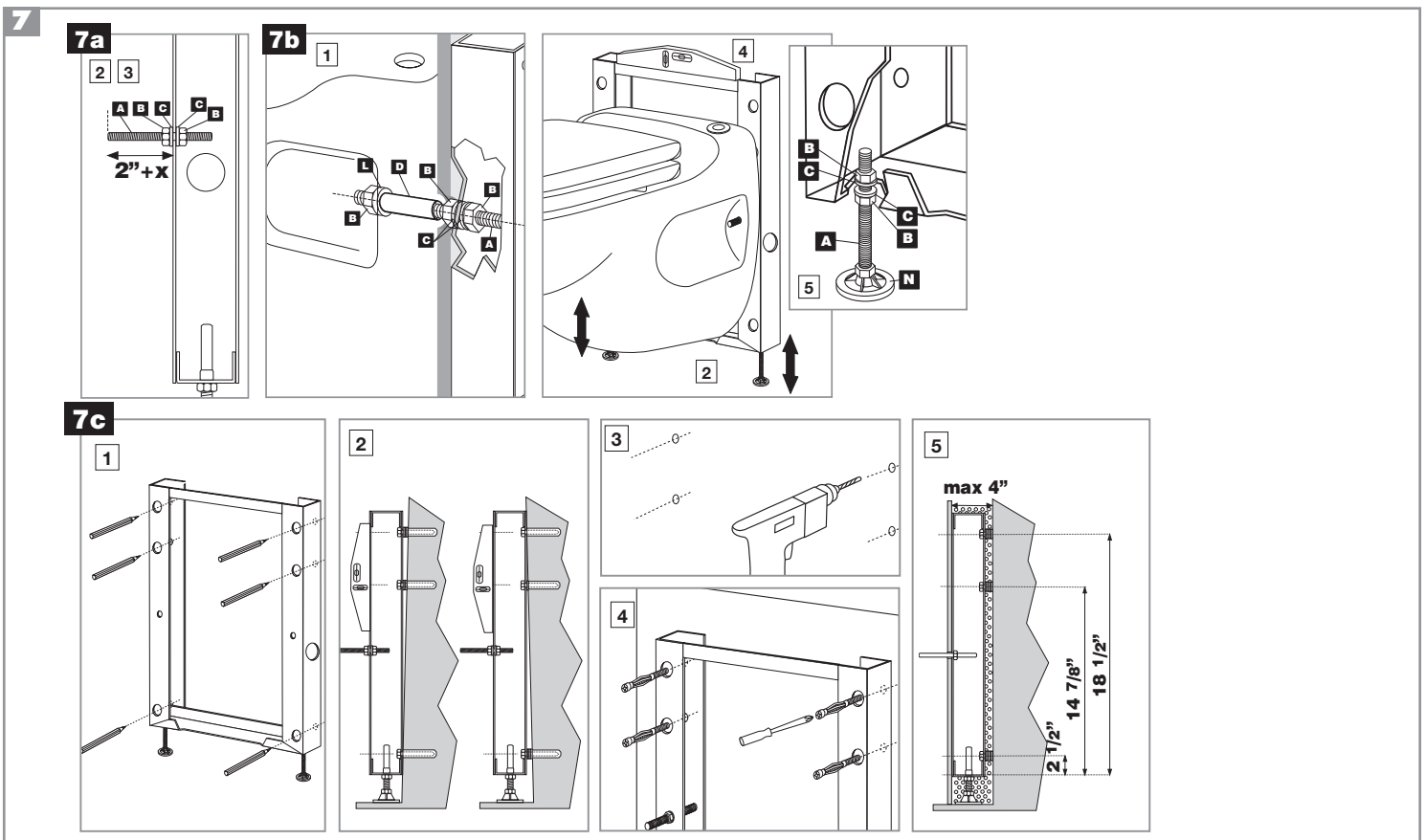
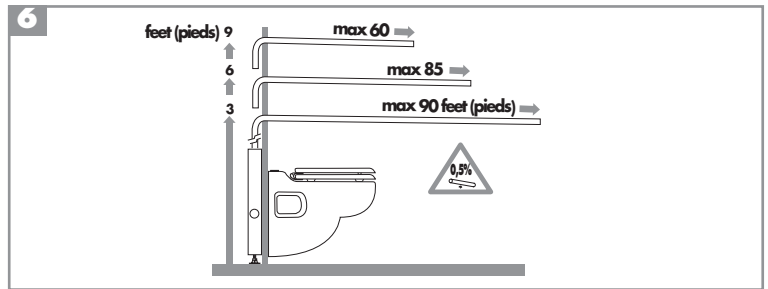
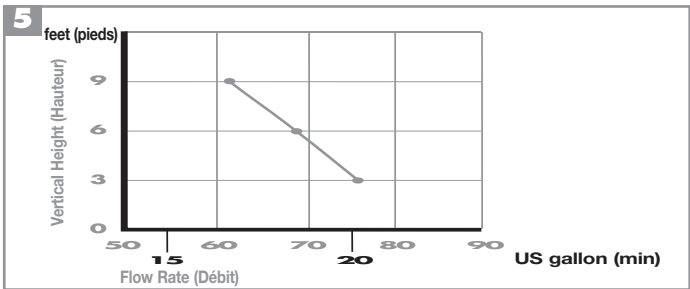
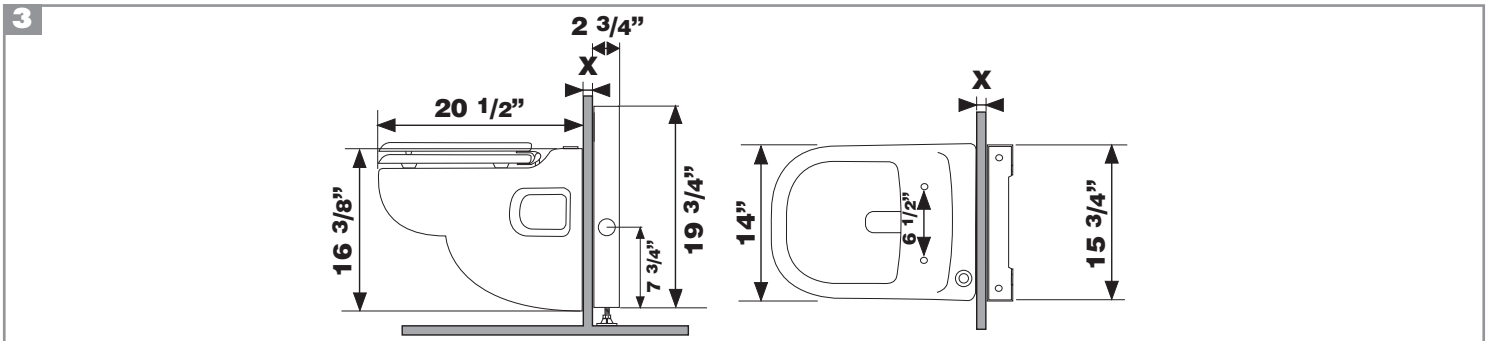
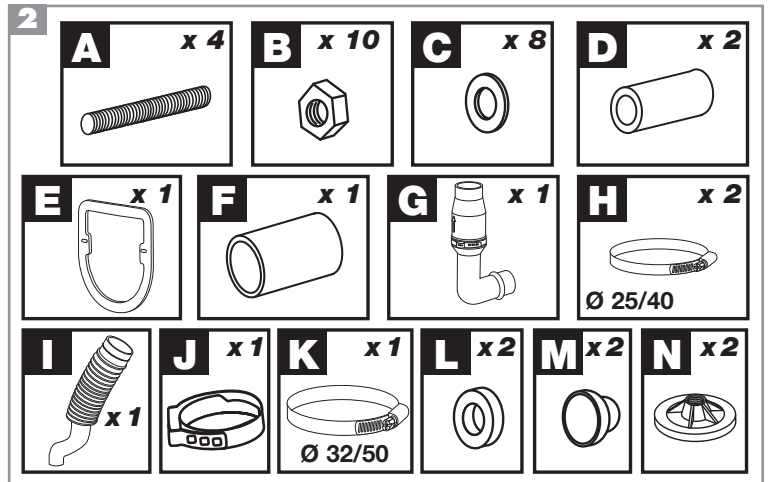
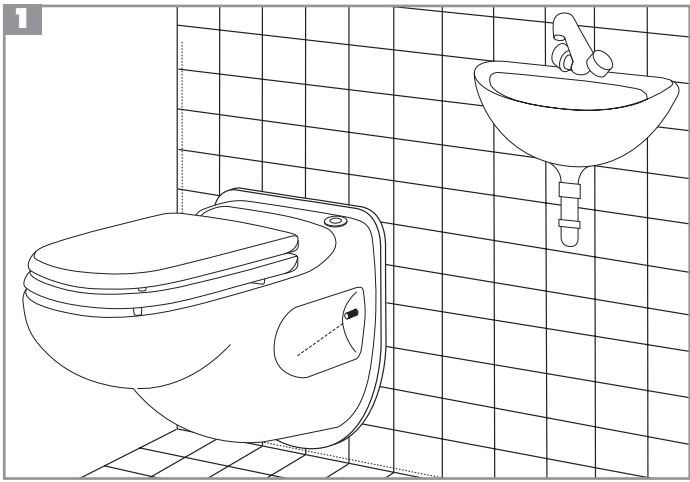
**DO NOT RETURN ANY MERCHANDISE TO THE VENDOR  
NE PAS RETOURNER DE MARCHANDISE AU VENDEUR**

For customer Service, Returns or Technical Questions, please call Saniflo's Technical support toll-free at  
800-571-8191 (USA) or 800-363-5874 (CDN).

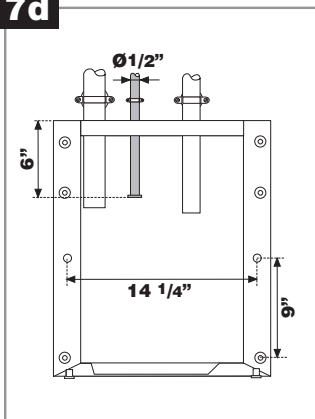
Pour le service client, les retours ou toute question technique, merci d'appeler le service technique de Saniflo  
au numéro suivant : 800-571-8191 (USA) or 800-363-5874 (CDN).



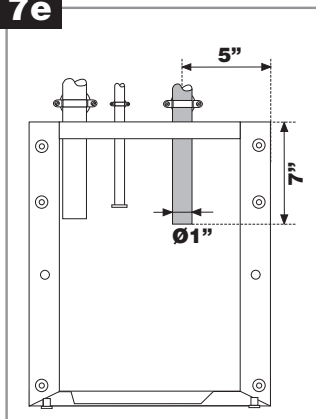
**INSTALLATION AND MAINTENANCE INSTRUCTIONS  
INSTRUCTIONS D'INSTALLATION ET D'ENTRETIEN**



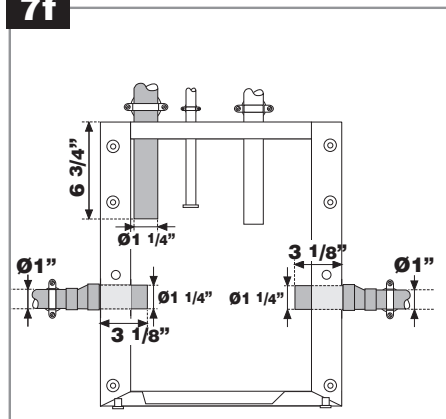
7d



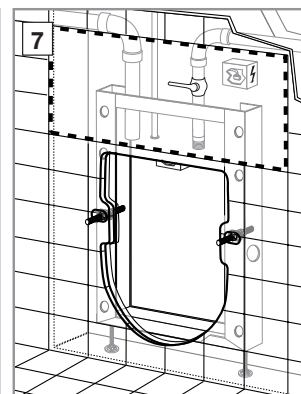
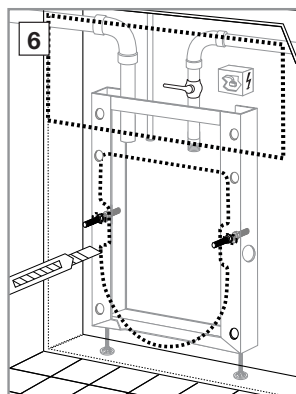
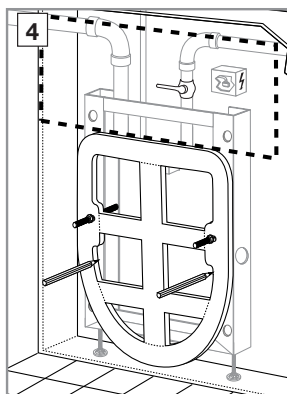
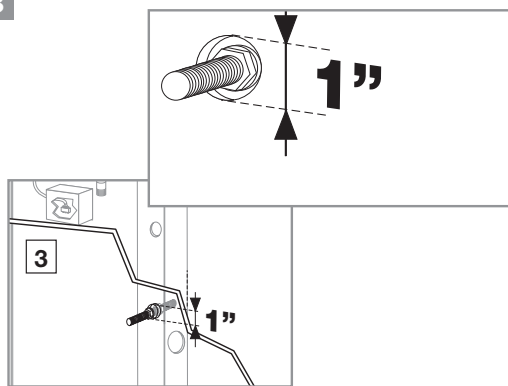
7e



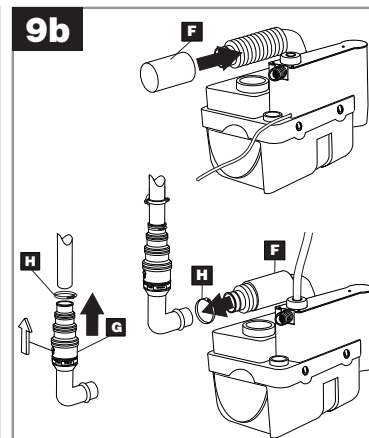
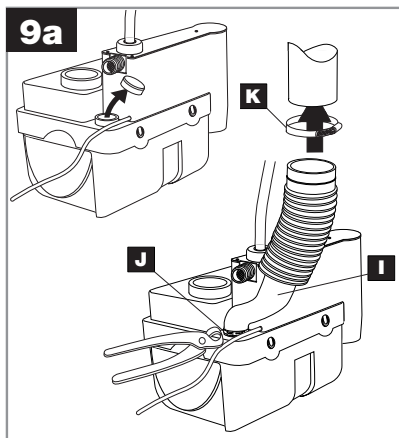
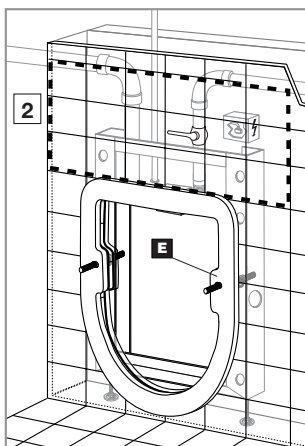
7f



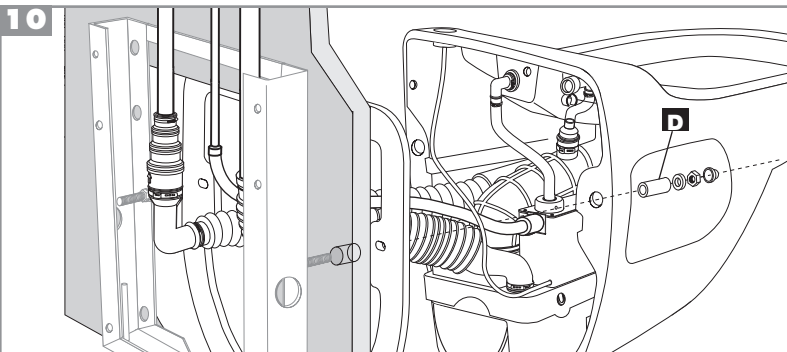
8



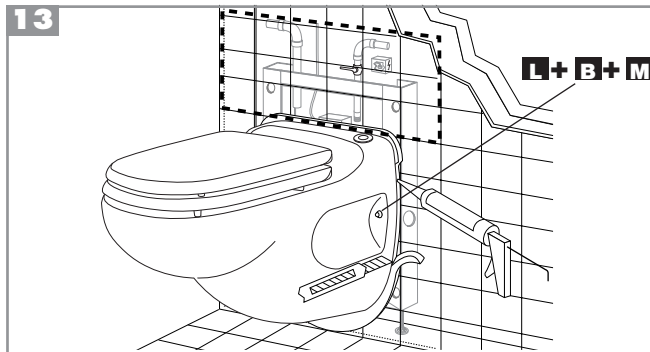
9



10



13



11

**SANISTAR®**  
SFA SANIFLO INC.

110-115 V - 60 HZ - 9A - 960 W - 0,4 HP - IP44 -  $\frac{1}{2}$ " - 68 lbs



## 1 INTRODUCTION

**SANISTAR®** is a wall hung toilet with an internal macerator/pump to which you can also connect a sink.

The **SANISTAR®** can only be installed with the special support bracket supplied. **SANISTAR®** is meant for use in residential applications.

Installed and used correctly, **SANISTAR®** will give you reliable and consistent service.

«**WARNING**» This is a general warning that failure to follow instructions could result in poor functioning of the unit.

## PRINCIPLES OF OPERATION

**SANISTAR®** is controlled by an electronic program with two functions.

- It has a macerating and pumping function. To begin press on either side of the push button (light grey: small flush, dark grey: large flush) integrated to the bowl.
- The pump cycle cleans the washbasin waste. This is an automatic operation that will activate as long as water from the washbasin enters the unit.

## 2 LIST OF ACCESSORIES SUPPLIED :

see drawing 2

## 3 DIMENSIONS :

see drawing 3

## 4 TECHNICAL DATA

Application	1 WC + 1 sink
Maximum vertical pumping	9 feet
Voltage	110-115 V
Frequency	60 Hz
Normal power rating	960 W
Maximum current consumption	9 A
Maximum water temperature	95°F
Electric class	I
Degree of protection	IP44
Net weight (with frame)	68 lbs
Horse power	0,4 HP

**WARNING:** Only installations conforming to the above specifications are acceptable.

## 5 PERFORMANCE CURVE :

see drawing 5

## 6 VERTICAL/HORIZONTAL PUMPING COMBINATIONS :

see drawing 6

## 7 INSTALLATION PREPARATIONS

**WARNING:** Before proceeding with the installation of **SANISTAR®**, ensure that the wall is sufficiently strong to support the unit. (Each fastening should have a tensile strength of 120 kg (264lbs)).

Note that the **SANISTAR®** can handle up to a maximum of 250 lbs (weight limit).

## 7a PREPARING THE SUPPORT FRAME

- 1 - Separate the bowl and template **E** from the frame (shipped together for transit purposes).
- 2 - Assemble the threaded rods **A** /with nuts **B** /and washers **C** as per drawing **7a**.
- 3 - Adjust nut on threaded rod to 2-inches (50 mm) + x the wall thickness (e.g. wall board plus tiles etc.). See drawing **7a**.
- 4 - Adjust the lateral spacing of the rods so that they line up with the holes in toilet.
- 5 - Tighten the nuts fully.
- 6 - Fit the plastic sleeves/inserts **D** onto the treaded rods and tape them down temporarily. (They protect the ceramic from the metal threads).

## 7b SETTING THE HEIGHT OF THE SUPPORT FRAME

- 1 - Place the frame against the wall.
- 2 - Adjust to a comfortable height using the vertical threaded feet. (See drawing **7a**). (Note ADA requirements is minimum 17-inches from floor to top of toilet seat. Adjust the feet from floor to center of threaded rod to 13 1/2-inches).
- 4 - Adjust the horizontal seating of the bowl support.
- 5 - Fully tighten the feet rod nuts.

## 7c ATTACHING THE FRAME TO THE WALL

- 1 - Mark the screw holes with a pencil.
- 2 - **WARNING:** If your wall is not perfectly vertical, shim the frame with washers (as per drawing **7c** #2).
- 3 - Drill a 1/4-inch pilot hole.
- 4 - Use 6 (3/8 x 3-inch) lag screws to fasten frame to the stud wall.
- 5 - Use all 6 holes to fasten the frame to the wall.
- 6 - **WARNING:**  
The distance between the supporting wall and the front of the support frame should not exceed 4-inches (100 mm).

**The frame should fit flat against the wall.**

## 7d WATER SUPPLY

- 1 - Install a 1/2-inch water supply.
- 2 - The water supply pipe must be fitted in the upper part of the frame.
- 3 - The pipe should terminate with a stop valve (1/2-inch sweat x 3/8-inch compression) with the handle of the stop valve just visible below the top of the frame.

- 4 - The water supply pipe should be fastened with clamps against the wall in order to avoid any movements while connecting the device.
- 5 - For correct rinsing of the bowl, the water pressure must be **minimum 25 PSI (1,7 bar)**.

## 7e DISCHARGE CONNECTION

- 1 - The discharge pipe should be either copper or CPVC or PVC solvent weld pipe in 1-inch diameter.
- 2 - Put the end of the pipe through the upper part of the frame.

**IMPORTANT:** Use only long sweeping elbows for the discharge pipe or a couple of 45 degree elbows back to back when changing direction. Do not use 90 degree elbows.

## 7f CONNECTION OF SINK

- 1 - Connect sink waste via 1 1/4-inch ABS or PVC pipe.
- 2 - Feed the waste pipe through either the left or right hand side holes provided.
- 3 - **IMPORTANT:** The drain pipe coming from the sink should connect into the special connector (provided).

## ELECTRICAL CONNECTION

**WARNING:** risk of electric shock- this pump is supplied with a grounding conductor and grounding type attachment plug to reduce the risk of electrical shock. Be certain that it is connected only to a properly grounded - type receptacle.

- Plug the electrical cord into a receptacle protected by a 15 Amp GFCI circuit breaker.
- Due to service requirements this electrical supply should feed the **SANISTAR®** only.

## 8 MOUNTING THE BOWL AND CUTTING OUT THE PANEL

**IMPORTANT:** Make sure to install the toilet seat before mounting the bowl.

- 1 - When the frame is placed against a wall; cut strips of cement board (or gypsum board) to cover the sides and front of the frame.
- 2 - When the frame is inside a wall, board the entire opening.
- 3 - **Note.** Make a 1-inch (25 mm) hole in the board (corresponding with the threaded rods). This will allow you to adjust the depth of the rod later.

**IMPORTANT:** Make sure to have an access panel in order to minimize any extra work in case of service.

- 4 - Place the template **13** against the wall, positioning the holes for the WC supports rods accordingly.
- 5 - Trace the inner shape of the template onto the front.
- 6 - Remove the template **13** and cut out the opening as traced, being careful not to cut any pipe or wire.
- 7 - **Note.** If you are tiling the wall, the tiles will have to be cut out in the shape of the inner opening.
- 8 - Finish the support wall and place the template onto the screws.

## 9 CONNECTIONS

**WARNING:** Before making the various connections, check the following:

- 1 - Ensure that the threaded rods are correctly spaced and the dimensions in drawing **7a** adhered to, otherwise the screw covers will not fit.
- 2 - Put the template **13** in place onto the threaded rods.

### 9a CONNECTION OF SINK

- 1 - Remove the cap of the waste inlet located underneath the water inlet.
- 2 - Connect the rubber waste connection **11** to the spigot with the correct clip **12** and crimp it with either a set of pliers or crimpers.
- 3 - Connect the other end of the connector **11** to the 1 1/4-inch (32 mm) end of sink waste pipe and secure it with clip **13**.

### 9b DISCHARGE CONNECTION

- 1 - Slide tube **14** onto the discharge connector.
- 2 - Fix the discharge elbow/check valve assembly **15**, with clip **16** to the discharge pipe.
- 3 - **WARNING: The non-return valve must be installed vertically with the arrow pointing upwards.**
- 4 - Stretch the connector and fix the end to the non-return valve-using clip **17**.

### 9c CONNECTION OF THE WATER SUPPLY

Connect the water supply hose to the compression fitting.

### 9d ELECTRICAL CONNECTION

Plug the cord into the receptacle.

## 10 MOUNTING THE BOWL

**Once the connections have been made,**

- 1 - Ensure that the clear tube **18** is still on the treaded rods.
- 2 - Push the bowl onto the treaded rods; secure the nuts (with washers) without over-tightening them.

## 11 START-UP AND PROGRAMMING

### 11a START-UP

- 1 - Plug in the power socket. Wait 20 seconds: appliance initializing. Open the water tap to rinse well. Start **the normal flush by pressing the dark grey button.** Put a few sheets of toilet paper down in the bowl and flush again.

**Note:** This unit does not need to be vented.

- 2 - Turn on the sink tap. The unit should sink activate automatically.
- 3 - Demount the bowl and check the water tightness of all connections.
- 4 - **WARNING:** Leaking faucets will cause the unit to activate automatically.

### 11b PROGRAMMING

The length of your **SANISTAR**'s flush varies according to which cycle you choose.

#### Eco flush (by default, light grey button):

19 seconds and 1 gallon (3.8L): rinsing of the bowl for 10 seconds, the pump works for 7 seconds (for 7 seconds, the bowl continues to fill), then the bowl fills again for 2 seconds.

You can lengthen the first rinse of the eco flush to 16 seconds if the default flush is not enough.

#### Normal flush (dark grey button):

25 seconds and 1.32 gallons (5L): The bowl is rinsed for 16 seconds, the pump works for 7 seconds (for 7 seconds, the bowl continues to fill) then the bowl fills again for 2 seconds.

#### To re-program:

**Note:** Only the ECO option can be reprogrammed.

- Hold the ECO button (light grey button) down for 5 seconds.
- The motor works for 2 seconds, this means you have entered programming mode.
- Each time you press the dark grey button you increase the length of the ECO flush by 1 second: each time you press it will be validated by the motor running for a short period.
- Each time you press the grey button you decrease the length of the flush by 1 second: each time you press it will be validated by the motor running for a short period.

#### To exit programming mode:

- Wait for 5 seconds without pressing any buttons.

**The motor runs for 2 seconds, this means that you have left programming mode.**

**Comment 1:** the minimum length of the first rinsing flush for the normal flush is 19 seconds (default programming) and the maximum length is 25 seconds.

**Comment 2:** the normal flush cannot be modified.

## 12 COMPLETING THE INSTALLATION

- 1 - Remount the bowl onto the treaded rods.
- 2 - Sequence of washers, place first the white PVC washer **19** then the steel washer onto the treaded rods and tighten the nuts **20**. Then snap the nut covers **21** in place.
- 3 - Cut away any protruding lip of the template around the bowl contour.
- 4 - Seal the bowl/wall joint with silicon.

## 13 USAGE

- 1 - The **SANISTAR**® pump/macerator does not require any special maintenance.
- 2 - **WARNING: The SANISTAR**® should only be used for the evacuation of normal human waste, toilet paper and household toilet cleaners. **Damage may occur to the motor if the following are disposed of via the toilet: cotton wool, tampons, sanitary napkins, wet wipes, kitchen towels, condoms, dental floss as well as other fabric or hard objects. Solvents, acids and other chemicals can also cause damage to the unit, and will invalidate the warranty.**
- 3 - **WARNING:** In case of prolonged power failure, or going on vacation, please close the stop valve of the the sink and water supply.

## 14 CARE OF YOUR SANISTAR®

- Normal household bleaches/WC cleaners can be used with a **SANISTAR**®.
  - To avoid the build up of lime scale in the unit, use the following procedure:
  - disconnect the power supply to the unit,
  - pour 1 gallon (3 to 4 liters) of water mixed with a strong solution of descaler into the bowl,
  - leave it to stand for 1 or 2 hours, then re-connect the electric supply,
  - flush several times to clear.
- The frequency of this operation will depend on the hardness of the water in your locality. We would recommend this be done about twice a year.

## 15 AFTER SALES SERVICE

In the unlikely event of a failure or malfunction, please call our after sales service department.

**WARNING:** Always disconnect the electric supply before attempting any work on the **SANISTAR**®.

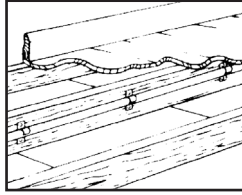
## 16 WARRANTY

The **SANISTAR**® is guaranteed for 2-year, subject to correct installation and usage.

## 17 ADVICE

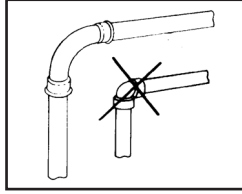
### PIPE SUPPORTS

All sanitary pipe work must be supported, in accordance with the pipe manufacturer's recommendations. Avoid dipping or trapping, which may cause the build up of residual "solids" and subsequent blockage.



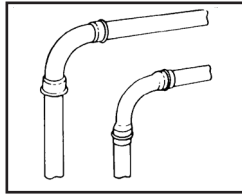
### BENDS

Where possible long sweeping bends should be used. Do not use short elbows. If sweeping 90° elbows are not available use two 45° elbows to make a 90° turn.



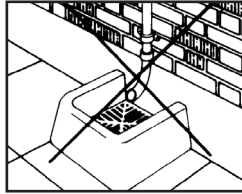
### PIPE WORK

All pipe work should be either copper, PVC or CPVC (Do not use flexible pipes). Hangers should not be less than four feet apart to prevent pipe rattling.



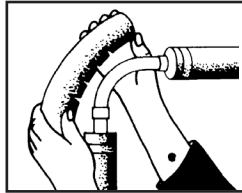
### DISCHARGE

Never discharge directly into an open drain, fixture, manhole or rainwater drainpipe. It is illegal for it constitutes a health hazard. Direct connections into sanitary waste systems only, shall be acceptable.



### FREEZING

Ensure all pipe work susceptible to freezing is adequately insulated or heated. In unheated buildings, the toilet, piping and macerating unit must be properly winterized with "RV or plumbers" anti-freeze or drained completely.



### ELECTRICITY

Before attempting any maintenance or servicing, the unit must be disconnected from the power source. The macerating system must be connected to a Ground Fault Circuit Interrupter.

### VERTICAL INSTALLATION FIRST

If vertical lift is required, this must precede the horizontal pipe run.

### EASY ACCESS

The unit should be accessible and removable in the event of maintenance being required. During the installation a full-port ball valve should be installed at the base of any vertical discharge pipe work from the unit to allow easy service of the unit.

### GRAVITY FALL

The unit accepts wastewater by gravity; it does not "vacuum" in water. All inlet pipe work must have a positive gravity fall, (1/4" per foot). All horizontal piping from the macerating unit must also have a positive gravity fall to allow free drainage when the pump stops.

### NO DIAGONAL "UPHILL" PIPE RUNS

All discharge pipe work from the unit should run either directly vertical upwards from it or in a horizontal plane (with a small gravity flow) to the point of discharge. Pipe work should not be installed with diagonal upward slope from the unit to the point of discharge.

# LIMITED WARRANTY

## Warranty period two-year from date of purchase

Subject to the conditions listed below, SFA-SANIFLO INC. (hereinafter called the «Company») guarantees to repair or at its option replace the product or any component thereof, which, in the opinion of the Company, is faulty or below standard as a result of inferior workmanship or materials.

If replacement is to be issued, this will only be extended to the first 180 days starting from the date of purchase. Warranty repairs will apply after such date up to the warranty's date of conclusion.

Note that the replacement and repair option would only apply to the motor block inside the porcelain. If there is no damage to the bowl, Saniflo will replace the motor only without the porcelain bowl. In case there are damages to the porcelain, it would be the responsibility of the consumer to provide this information to the manufacturer within 30 days from the date of purchase.

### CONDITIONS

The conditions of this guarantee are:

1. The product must not have been subjected to misuse, neglect, accident or damaging products, in accordance with these Installation Instructions.
2. The product must have been connected to a single phase 120V, 60Hz electrical supply.
3. The alleged fault or defect must be notified to the company, within the warranty period.

### PART OR PRODUCT EXCHANGE

The product will be exchanged, free of charge, at the original reseller's place of business only, upon the following conditions being fulfilled:

1. The customer needs a «return authorization» number from the company to authorize and validate the exchange.
2. The customer must supply a copy of their invoice to validate the request for an exchange.

### LIMITATIONS

1. Vitreous china are guaranteed only for a factory defect.
2. Cost of disconnection and reconnection (ie labor charges) are not covered by the warranty and are end-users responsibility.
3. Cost of mail or freight when a part or parts of the system have to be repaired at the company are not covered by this warranty.
4. In no event shall the company be liable for any special, incidental or consequential damage, loss, or injury of whatsoever nature or kind arising from or in connection with the product or any component thereof.
5. The guarantee is transferable only when the product remains at the same premises as where it was installed initially.

Except as set forth in this Limited Warranty, the company disclaims all other warranties, express or implied, with respect to the product or any component thereof including, but not limited to, all implied warranties for merchantability and fitness for a particular purpose

---

For service or for further inquiries, please call or contact any of the following addresses:

#### United States

SFA-SANIFLO INC.  
105 Newfield Avenue, Suite A  
Edison, NJ 08837

Toll Free: 1-800-571-8191  
Telephone: 1-732-225-6070  
Fax: 1-732-225-6072  
E-mail.: [sfasales@saniflo.com](mailto:sfasales@saniflo.com)  
Web Site: [www.saniflo.com](http://www.saniflo.com)

#### Canada

SFA-SANIFLO INC.  
1-685 Speedvale Avenue West  
Guelph ON  
N1K 1E6

Toll Free: 1-800-363-5874 English  
Toll Free: 1-800-877-8538 French  
Telephone: 1-519-824-1134  
Fax: 1-519-824-1143  
E-mail.: [sales@saniflo.com](mailto:sales@saniflo.com)  
Web Site: [www.saniflo.ca/fr](http://www.saniflo.ca/fr)

## 1 INTRODUCTION

**SANISTAR®** est une cuvette de WC suspendu équipée d'un broyeur pompe destiné à évacuer les effluents sanitaires.

**SANISTAR®** ne peut être installé qu'avec le bâti support spécial livré avec l'appareil. **SANISTAR®** est destiné à un usage domestique.

Il bénéficie d'un haut niveau de performance, de sécurité et de fiabilité dans la mesure où toutes les règles d'installation et d'entretien décrites dans cette notice sont scrupuleusement respectées.

«**ATTENTION**» indication dont le non-respect pourrait entraîner des risques pour le fonctionnement de l'appareil.

Pour tout renseignement complémentaire, veuillez vous adresser à notre service clients.

## PRINCIPE DE FONCTIONNEMENT

**SANISTAR®** est commandé par un programmeur électronique.

Il peut avoir 2 fonctions :

- broyage/pompage, en fonctionnement WC :  
Le démarrage s'effectue en appuyant sur l'une des deux parties grisées du bouton double chasse (gris clair : petite chasse, gris foncé : grande chasse) du bouton intégré à la cuvette.
- pompage seul, pour évacuation des eaux usées d'un lave-mains : le démarrage est automatique. La durée de fonctionnement dépend du volume d'eau à pomper.

## 2 LISTE DES PIÈCES FOURNIES :

voir dessin 2

## 3 DIMENSIONS :

voir dessin 3

## 4 DOMAINE D'APPLICATION ET DONNÉES TECHNIQUES SANISTAR®

Applications	évacuation WC évacuation lave-mains
Évacuation verticale max.	9 pieds
Tension	110-115 V
Fréquence	60 Hz
Puissance nominale	960 W
Intensité absorbée max.	9 A
Température d'eau max.	95°F
Classe électrique	I
Indice de protection	IP44
Poids net (avec bâti)	68 lbs
Puissance mécanique	0.4 HP

**ATTENTION :** toutes applications autres que celles décrites dans cette notice sont à proscrire.

## 5 COURBE DE PERFORMANCES :

voir dessin 5

## 6 EQUIVALENCE HAUTEUR/ LONGUEUR EVACUATION :

voir dessin 6

## 7 PRE-INSTALLATION

Cette opération a pour but de déterminer l'implantation de la cuvette (hauteur du bâti), des alimentations (eau, électricité) et des raccords (évacuation, entrée lavabo).

**ATTENTION :** avant de procéder à l'installation de votre **SANISTAR®**, vous devez vous assurer que le mur «porteur» est suffisamment solide pour supporter l'appareil. (l'effort maximum d'arrachement par cheville est de 113 kg (250 lbs)).

### 7a FIXATION DU BÂTI SUPPORT

- 1 - Séparer la cuvette et le gabarit de découpe **E** du bâti support (cette fixation provisoire n'est valable que pour le transport).
- 2 - Mettre en place l'ensemble tiges filetées **A** / rondelles **C** / écrous **B** dans les trous oblongs du bâti sans les serrer.
- 3 - Ajuster la longueur de dépassement des tiges filetées à  $L = 2 \text{ po (50 mm)} + x$  ( $x = \text{épaisseur du revêtement : ex. placoplâtre + carrelage}$ ).
- 4 - Ajuster l'entraxe des tiges filetées à l'entraxe des trous cuvette.
- 5 - Serrer les deux écrous pour bloquer les tiges filetées sur le bâti.
- 6 - Placer les 2 bouts de tube plastique **D** sur les tiges.

### 7b RÉGLAGE DE LA HAUTEUR DU BÂTI

- 1 - Présenter l'ensemble bâti + cuvette contre le mur.
- 2 - Régler la hauteur de la cuvette par rapport au sol, en ajustant la longueur des tiges filetées des pieds (voir schéma 7a).

**NOTE :** selon les conditions ADA, une hauteur minimum de 17 pouces est nécessaire entre le haut de la cuvette et le sol. Pour ce faire, ajuster la longueur des tiges filetées à une hauteur de 13 ½ pouces du sol.

- 4 - Contrôler l'horizontalité du bâti.
- 5 - Bloquer alors les pieds avec les écrous **F** sur les tiges filetées.

### 7c FIXATION DU BÂTI AU MUR

- 1 - Tracer les emplacements prévus pour la fixation du bâti (4 trous en partie haute du bâti et 2 trous en partie basse).
  - 2 - **ATTENTION :** si votre mur n'est pas parfaitement vertical, utiliser les 6 trous prévus sur le bâti en compensant l'écart entre le mur et le bâti par un empilage de rondelles. (voir schéma 7c 2)
- La compensation se fait par empilage de rondelles plates -non fournies- entre le mur porteur et le bâti.  
Percer un trou de 1/4 pouce.
- 3 - Choisir les fixations bâti/mur en fonction du matériau du mur porteur (utiliser 6 tire-fonds (3/8 x 3 pouces ou 8 x 120 mm) minimum -pièces non fournies).
  - 4 - Percer le mur à l'aide d'un foret -non fourni- approprié à la fixation choisie.
  - 5 - Fixer le bâti au mur en utilisant 4 ou 6 trous suivant le mur.

## 6 - ATTENTION :

La distance entre le mur porteur et le bord avant du panneau revêtement doit être au maximum de 4 pouces (100 mm).

**Dans tous les cas le panneau de revêtement doit être impérativement en appui sur le bâti.**

## 7d ALIMENTATION EN EAU

- 1 - Installer un approvisionnement en eau 1/2 po.
- 2 - L'arrivée d'eau doit passer dans la partie supérieure du bâti.
- 3 - **ATTENTION :** il est indispensable d'installer un robinet d'arrêt 1/4 de tour qui reste accessible quand la cuvette est installée.
- 4 - **ATTENTION :** le tube cuivre doit être maintenu par des colliers pour éviter tout mouvement lors du raccordement de l'appareil.
- 5 - **ATTENTION :** pour un rinçage de la cuvette optimum, la pression en sortie du robinet doit être de **25 PSI minimum (1.7 bars)**.

## 7e RACCORDEMENT DE L'ÉVACUATION

- 1 - L'évacuation des eaux usées doit être réalisée avec tuyau de PVC ou CPVC ou cuivre de 1 pouce de diamètre.
- 2 - Faire passer l'extrémité du tube dans la partie supérieure du bâti.

**ATTENTION:** Utiliser si possible des coudes à grand rayon de courbure pour optimiser l'écoulement.

## 7f RACCORDEMENT DU LAVABO

- 1 - Raccorder l'évacuation du lavabo avec du tuyau d'ABS ou PVC de 1 ¼ po de diamètre.
- 2 - Faire passer l'extrémité du tube dans un des trous du bâti en haut à droite ou en haut à gauche suivant l'implantation.
- 3 - **IMPORTANT :** la conduite des eaux usées provenant du lavabo doit être connectée au connecteur dédié fourni.

## ALIMENTATION ÉLECTRIQUE



**ATTENTION:** risque de choc électrique - cet appareil est muni d'une prise de terre afin de réduire le risque d'électrocution. Vérifiez que votre appareil est branché sur un circuit électrique avec prise de terre.

- Le circuit de l'alimentation de l'appareil doit être protégé par un disjoncteur différentiel haute sensibilité, calibré à 15A.
- Pour les besoins de la maintenance, cette alimentation électrique ne servira que le **SANISTAR®**.




## 8 MONTAGE ET DECOUPE DU MUR DE REVETEMENT

**ATTENTION** : Assurez-vous d'installer le siège de toilette avant le montage la cuvette.

- 1 - Présenter le placoplâtre face au bâti préalablement fixé au mur porteur.
- 2 - Repérer l'emplacement des tiges de support cuvette sur le placoplâtre.
- 3 - Réaliser un perçage d'un pouce de diamètre (25mm) aux emplacements des tiges filetées de façon à venir plaquer parfaitement le placoplâtre sur le bâti.  
**IMPORTANT** : Assurez-vous de créer une trappe facilitant l'accès afin d'éviter un travail supplémentaire en cas d'intervention.
- 4 - Présenter le gabarit de découpe  sur le mur de revêtement en positionnant les 2 trous sur les tiges de support cuvette.
- 5 - Tracer le contour intérieur du gabarit sur le mur de revêtement.
- 6 - Retirer le gabarit  et découper le placoplâtre suivant le tracé réalisé.
- 7 - Terminer l'installation complète (éventuellement habillage en carrelage) de votre mur de revêtement.
- 8 - **Remarque** : si vous carrez votre mur d'habillage, vous devez découper le carrelage de la même façon que le placoplâtre.





## 9 RACCORDEMENTS

**ATTENTION** : avant d'effectuer les différents raccordements veillez à :





- 1 - Contrôler que les tiges filetées sont vissées correctement dans le bâti et de la bonne longueur. Sinon les cache-écrous ne tiendront pas en place.
- 2 - Présenter le gabarit de découpe  sur les tiges support cuvette.

### 9a RACCORDEMENT DU LAVABO

Si vous désirez raccorder un lave-mains au **SANISTAR®**,

- 1 - Enlever le bouchon de l'anse des déchets située sous l'entrée de l'eau.
- 2 - Fixer la durite lavabo  avec un collier  et le serrer avec une tenaille.
- 3 - En l'étirant, raccorder la durite  au tuyau d'évacuation de 1/4 de pouce de diamètre (32 mm). La fixer avec le collier .

### 9b RACCORDEMENT DE L'ÉVACUATION


- 1 - Glisser le tube  sur la durite d'évacuation.
- 2 - Raccorder avec un collier , le clapet anti-retour  au tuyau d'évacuation préalablement implanté.
- 3 - **ATTENTION** : le clapet doit impérativement être vertical (la flèche orientée vers le haut).
- 4 - En l'étirant, raccorder avec l'autre collier , la durite d'évacuation au coude plastique du clapet.

### 9c RACCORDEMENT DE L'ALIMENTATION EN EAU

Connecter l'extrémité du tuyau d'alimentation d'eau au raccordement préalablement effectué.

## 10 MONTAGE DE LA CUVETTE

**Une fois les raccordements effectués,**

- 1 - Insérer les coupes tuyau  sur les tiges filetées.
- 2 - Mettre en place la cuvette sur les tiges filetées support cuvette sans visser les écrous.

## 11 MISE EN SERVICE ET PROGRAMMATION

### 11a MISE EN SERVICE

- 1 - Brancher la prise de courant. Attendre 20 secondes : initialisation de l'appareil. Ouvrir le robinet d'eau à fond pour obtenir un bon rinçage. **Démarrer le cycle normal en appuyant sur la partie grise foncée du bouton double chasse.** Jeter quelques feuilles de papier hygiénique dans la cuvette puis effectuer de nouveau un cycle.
- 2 - Laisser couler le robinet du lavabo, l'appareil doit se mettre en marche automatiquement.
- 3 - Redémonter la cuvette, vérifier la parfaite étanchéité de tous les raccordements.
- 4 - **ATTENTION** : le robinet du lave-mains doit être parfaitement étanche. Une fuite même légère, provoque des démarrages intempestifs du **SANISTAR®**.

### 11b PROGRAMMATION

La durée de chasse de votre **SANISTAR®** varie selon le cycle choisi.

**Cycle éco (par défaut, touche gris clair) :**

19 secondes et 1 gallon (3,8 L) : rinçage de la cuvette pendant 10 secondes, la pompe se met en marche pour une durée de 7 secondes (pendant 7 secondes, la cuvette continue à se remplir), puis la cuvette se remplit à nouveau pendant 2 secondes.

Vous avez la possibilité si nécessaire d'allonger la durée du premier rinçage du cycle éco jusqu'à 16 secondes si celle par défaut n'est pas suffisante.

**Cycle normal (touche gris foncé) :**

25 secondes et 1,32 gallons (5 L) : la cuvette est rincée pendant 16 secondes, la pompe se met en marche pour une durée de 7 secondes (pendant 7 secondes, la cuvette continue à se remplir) puis la cuvette se remplit à nouveau pendant 2 secondes.

**Pour changer la programmation :**

**NOTE** : Seule la version ECO peut être programmée.

- Appuyez sur la touche ECO (touche gris clair) pendant 5 secondes.
- Le moteur se met en marche pendant 2 secondes, cela signifie que vous êtes entré dans le mode de programmation.
- A chaque pression sur la touche gris foncée, vous augmentez la durée du cycle éco d'une seconde : chaque impulsion est validée par une brève mise en route du moteur.
- A chaque pression sur la touche gris clair, vous diminuez la durée du cycle éco d'une seconde : chaque impulsion est validée par une brève mise en route du moteur.




**Pour sortir du mode de programmation :**

- Attendre 5 secondes sans appuyer sur aucune touche. **Le moteur se met en marche pendant 2 secondes, cela signifie que vous êtes sorti du mode de programmation.**

**Remarque 1** : la durée minimum du premier rinçage du cycle éco est de 19 secondes (programmation par défaut) et la durée maximum est de 25 secondes.

**Remarque 2** : le cycle normal n'est pas modifiable.

## 12 FINITION

- 1 - Remettre en place la cuvette sur les tiges filetées support cuvette.
- 2 - Placer les rondelles PVC blanches  sur la tige filetée et serrer les écrous M10 . Puis enfoncer les caches-écrous .
- 3 - Découper le gabarit servant de joint qui dépasse de la cuvette.
- 4 - Réaliser un joint silicone de finition tout autour.

## 13 UTILISATION

- 1 - **SANISTAR®** s'utilise comme un WC classique, il ne demande pas d'entretien particulier.
- 2 - **ATTENTION** : **SANISTAR®** ne doit servir qu'au broyage et à l'évacuation de matières fécales, papiers hygiéniques et eaux sanitaires. **Tout dommage à l'appareil causé par le broyage de corps étrangers tels que coton, tampons périodiques, serviettes hygiéniques, préservatifs, cheveux ou le pompage de liquides tels que solvants, acides ou huiles ne serait pas pris en compte dans le cadre de la garantie.**
- 3 - **ATTENTION** : en cas de coupure de courant prolongée, ou de longue absence, couper l'alimentation en eau de la salle de bains.

## 14 NETTOYAGE / DÉTARTRAGE

- Pour nettoyer et détartrer la cuvette équipée d'un broyeur, utiliser un détartrant adapté comme le détartrant spécial **SANIBROYEUR®** de **SFA**.
- Pour éviter une accumulation de calcaire à l'intérieur du broyeur, il est conseillé d'effectuer un détartrage régulier. Pour ce faire, débrancher électriquement le broyeur, mettre dans la cuvette une dose de détartrant, laisser reposer plusieurs heures puis rebrancher le broyeur. Actionner ensuite plusieurs chasses d'eau pour rincer.

La fréquence du détartrage dépend de la dureté de l'eau de votre région. Nous vous conseillons de le faire au moins deux fois par an.

## 15 SERVICE APRES VENTE

En cas de panne ou de dysfonctionnement, veuillez vous adresser à nos techniciens SAV qui vous indiqueront le cas échéant le dépanneur agréé le plus proche de chez vous. Toute intervention sur une partie électrique doit être réalisée par une personne qualifiée.

**ATTENTION** : avant toute intervention sur l'appareil débrancher l'alimentation électrique.

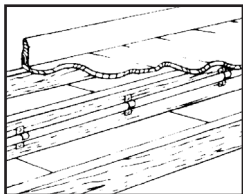
## 16 GARANTIE

Les appareils **SANISTAR®** sont garantis 2 ans dans la mesure où l'installation et l'utilisation sont conformes à la présente notice.

## 17 CONSEILS

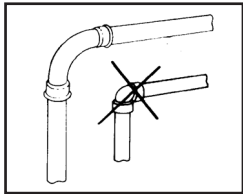
### ANCRAGE DES TUYAUX

Tous les tuyaux des installations sanitaires doivent être ancrés conformément aux recommandations du fabricant pour les empêcher de pendre, car ils pourraient alors être bloqués par une accumulation de "matières solides".



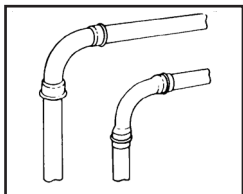
### COURBES

Dans la mesure du possible, utilisez des courbes de tuyau plutôt que des coudes. Si des coudes de 90° ne sont pas disponibles, utilisez deux coudes de 45° pour former une courbe de 90°.



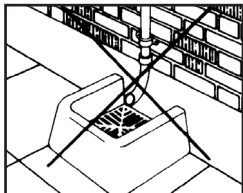
### TUYAUTERIE

Tous les tuyaux doivent être en cuivre ou en plastique soudé au solvant. Il ne faut pas utiliser de tuyaux flexibles. Les pendants doivent être espacés d'au moins quatre pieds pour empêcher les tuyaux de cogner.



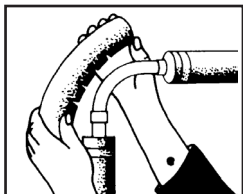
### VIDANGE

Ne jamais évacuer les eaux usées directement dans un égout à ciel ouvert, un trou d'homme ou un drain pour les eaux de pluie. Cela est illégal et constitue un danger pour la santé. Seuls les branchements directs dans les systèmes de déchets sanitaires sont acceptables.



### GEL

Assurez-vous que tout tuyau susceptible de geler est bien isolé ou chauffé. Dans les immeubles non chauffés, la toilette, la tuyauterie et l'ensemble broyeur-pompe doivent être protégés contre le gel avec de l'antigel de « véhicule de plaisance » ou vidés complètement.



### ELECTRICITÉ

Avant d'entreprendre des travaux d'entretien ou de dépannage, il faut débrancher l'appareil de la source d'alimentation en électricité. Le système de broyage doit être protégé par un coupe-circuit en cas de défaut de mise à la terre du neutre.

### LA TUYAUTERIE VERTICALE D'ABORD

Lorsqu'on installe des tuyaux à la verticale, il faut les poser avant de poser les tuyaux horizontaux.

### ACCÈS FACILE

Il faut avoir accès à l'ensemble broyeur-pompe et pouvoir le déposer en cas de réparation. Au moment de l'installation, il faut poser une purge et une vanne d'arrêt à passage intégral à la base de tout tuyau d'évacuation vertical, pour permettre de réparer facilement l'appareil.

### DESCENTE PAR GRAVITÉ

Les eaux usées se déversent dans l'ensemble broyeur-pompe par gravité. Elles ne sont pas aspirées. Tous les tuyaux d'arrivée doivent assurer l'écoulement absolu par gravité (1/4 po par pied). Les tuyaux d'évacuation horizontaux sortant de l'ensemble broyeur-pompe doivent aussi assurer l'écoulement absolu par gravité, pour que le drainage se fasse librement lorsque la pompe s'arrête.

### PAS DE TUYAUX EN DIAGONALE

Tous les tuyaux de vidange sortant de l'appareil doivent soit monter directement à la verticale, soit être en position horizontale (avec un léger écoulement par gravité) jusqu'au point d'évacuation. Il ne faut pas installer de tuyaux en diagonale entre l'appareil et le point d'évacuation.

# GARANTIE LIMITÉE

## Garantie de deux ans à partir de la date d'achat

Sous réserve du respect des conditions énoncées ci-dessous, **SFA-SANIFLO INC.** (ci-dessous appelée "la Compagnie") garantit qu'elle réparera ou remplacera, à son gré, le produit ou l'une quelconque de ses pièces, qui de l'avis de la Compagnie, se trouve défectueux ou ne répond pas à la performance demandée du fait d'un défaut de fabrication ou de matériau.

Si un remplacement doit être effectué, celui-ci sera uniquement possible pendant les 180 premiers jours à compter de la date d'achat et devra être approuvé par un représentant de notre société. Les réparations sous garantie seront applicables après cette date jusqu'à la date de fin de garantie.

La garantie de remplacement et de réparation ne s'appliquera qu'au bloc moteur. Si la cuvette n'est pas endommagée, Saniflo ne remplacera que le moteur. Si jamais la cuvette était endommagée, il en serait de la responsabilité du client d'en informer le fabricant dans un délai de 30 jours qui suivent la date d'achat.

### CONDITIONS

Les conditions de la garantie sont :

1. Le produit ne doit pas avoir subi de mauvais traitement, de négligence, d'accident ou d'exposition à des produits nocifs, conformément à cette notice ;
2. Le produit doit avoir été branché à une prise de courant monophasé 120V, 60Hz ;
3. Le présumé défaut ou la présumée défaillance doit être signalé (e), sinon à l'installateur, du moins à la Compagnie, durant la période de garantie en vigueur.

### ÉCHANGE DE PIÈCE OU DE PRODUIT

Le produit sera échangé sans frais, à l'établissement de détail où il a été acheté seulement, sous réserve du respect des conditions suivantes :

- Le client devra être en possession d'un numéro «d'autorisation de retour» de la Compagnie afin d'autoriser et de valider l'échange ;
- Le client doit fournir une copie de sa facture pour valider la demande d'échange.

### RESTRICTIONS

1. La porcelaine est garantie seulement contre les défauts de fabrication ;
2. La garantie ne couvre pas les frais de branchement et rebranchement de l'installation (c.-à-d. les frais de main-d'œuvre) qui sont à la charge du client ;
3. La garantie ne couvre pas les frais d'expédition ou de transport quand une pièce ou des pièces de l'appareil doit(vent) être réparé(e)s à l'usine ;
4. En aucun cas la Compagnie ne sera tenue responsable des dommages accessoires ou indirects, pertes ou blessures, de quelle que nature que ce soit, résultant de l'utilisation du produit, ou de l'un de ses composants ;
5. La garantie est transférable seulement si l'appareil demeure à l'endroit où il fut installé initialement.

Sauf pour ce qui est des termes de cette garantie limitée, la Compagnie n'accepte aucune autre garantie, implicite ou explicite, ayant trait au produit ou à tout composant y afférent, incluant sans toutefois s'y limiter, toute autre garantie implicite quant à la valeur marchande ou l'adaptabilité de ce produit à une fin particulière.

---

Pour le service et d'autres demandes de renseignements, veuillez appeler à l'une des adresses indiquées ci-dessous.

#### États-Unis

SFA-SANIFLO INC.  
105 Newfield Avenue, Suite A  
Edison, NJ 08837

#### Canada

SFA-SANIFLO INC.  
1-685 Speedvale Avenue West  
Guelph ON  
N1K 1E6

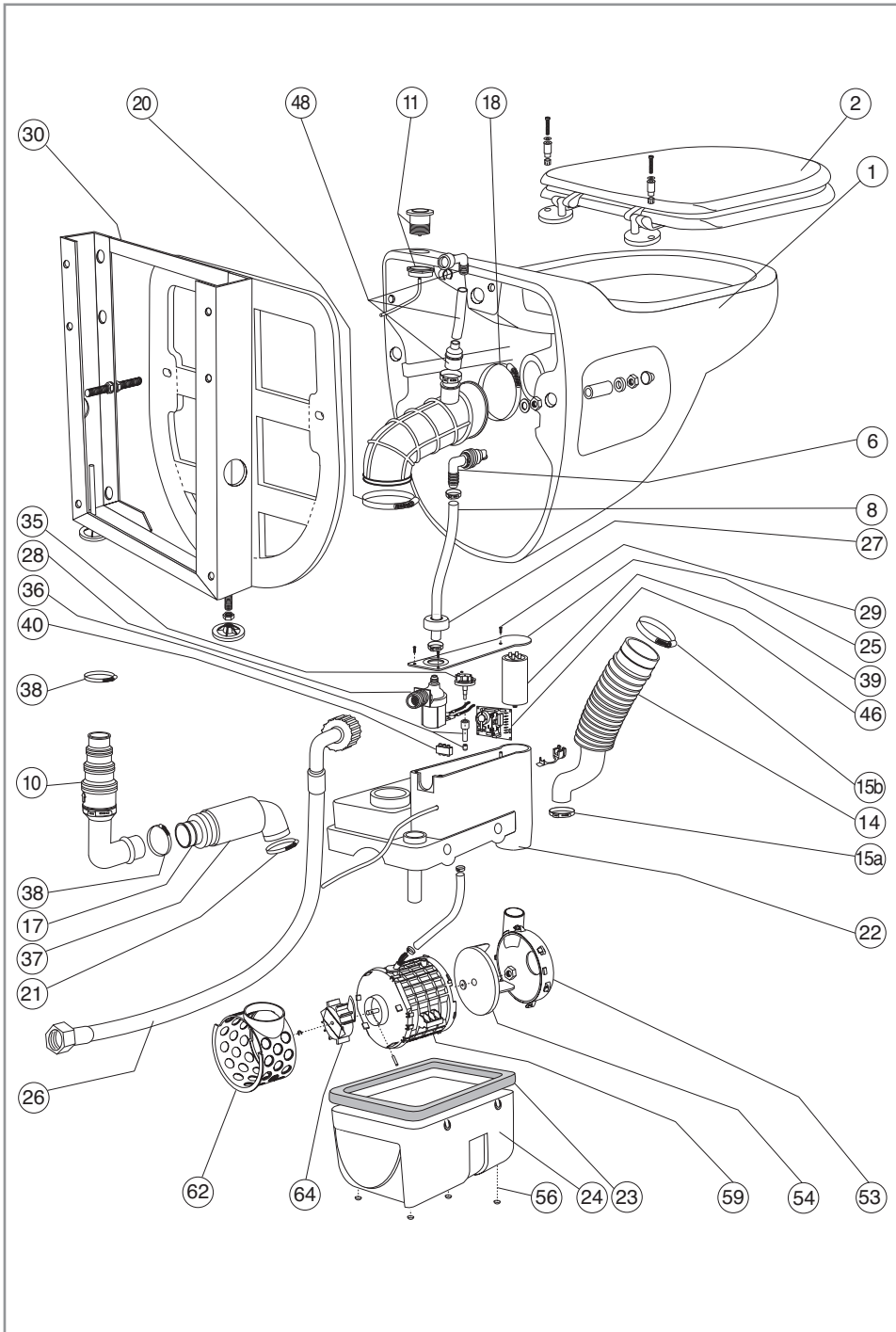
Numéro sans frais : 800-571-8191  
Téléphone : 732-225-6070  
Télécopie : 732-225-6072  
C.élec. : [sfasales@saniflo.com](mailto:sfasales@saniflo.com)  
Site Web : [www.saniflo.com](http://www.saniflo.com)

Numéro sans frais : 800-363-5874 Anglais  
Numéro sans frais : 800-877-8538 Français  
Téléphone : 519-824-1134  
Télécopie : 519-824-1143  
C.élec. : [sales@saniflo.com](mailto:sales@saniflo.com)  
Site Web : [www.saniflo.ca/fr](http://www.saniflo.ca/fr)





# SANISTAR®



- |     |                          |                                 |
|-----|--------------------------|---------------------------------|
| 1   | Bowl                     | cuvette                         |
| 2   | seat & mounting kit      | siège et abattant               |
| 6   | water inlet elbow        | coude d'entrée d'eau            |
| 8   | clear tubing 10/14       | tube transparent                |
| 9   | impeller nut             | écrou de la turbine             |
| 10  | discharge elbow          | coude d'évacuation              |
| 11  | dual flush push button   | bouton de commande              |
| 12  | supply cable             | cordón électrique               |
| 14  | elbow hand basin         | coude de sortie                 |
| 15a | clamp                    | collier                         |
| 15b | clamp                    | collier                         |
| 17  | discharge hose           | durite                          |
| 18  | gear clamp               | bride de fixation               |
| 20  | gear clamp               | bride de fixation               |
| 21  | gear clamp               | collier                         |
| 22  | lid                      | couvercle                       |
| 23  | gasket for cover Compact | joint de couvercle              |
| 24  | case                     | boîtier                         |
| 25  | electrical box lid       | couvercle du boîtier électrique |
| 26  | supply hose              | tuyau d'alimentation en eau     |
| 28  | solenoid valve           | électrovanne                    |
| 30  | frame                    | cadre                           |
| 35  | pressure switch level    | pressostat                      |
| 36  | pressure switch base     | support pressostat              |
| 37  | discharge hose           | durite                          |
| 38  | clamp                    | collier                         |
| 39  | capacitor                | condensateur                    |
| 40  | terminal block           | plaque de connexions            |
| 46  | circuit board            | minuterie                       |
| 48  | one way air event        | tube-event                      |
| 53  | pump flange              | fond de pompe                   |
| 54  | impeller                 | turbine                         |
| 56  | case feet                | piéd du boîtier                 |
| 59  | motor block complete     | moteur                          |
| 62  | grille compact           | panier                          |
| 64  | rotor-blade              | moyeu                           |

**United States**  
SFA-SANIFLO INC.  
105 Newfield Avenue, Suite A  
Edison, NJ 08837

Customer toll free:

Telephone:  
Telefax:  
Email:  
Web Site:

800-571-8191

732-225-6070  
732-225-6072  
sfasales@saniflo.com  
www.saniflo.com

**Canada**  
SFA-SANIFLO INC.  
1-685 Speedvale Avenue West  
Guelph (Ontario)  
N1K 1E6

Customer toll free:

Customer toll free:  
Telephone:  
Telefax:  
Email:  
Web Site:

800-363-5874 English  
800-877-8538 French  
519-824-1134  
519-824-1143  
sales@saniflo.com  
www.saniflo.ca/fr