



NE597N0PBSR

5.9 cu. ft. Freestanding Full Induction with True Convection

Features

- Full Induction Cooktop with Flex Cookzone
- True Convection Oven (3 fan)
- Large Oven Capacity – 5.9 cu. ft.
- SteamQuick™ (20 min. Oven Cleaning) and Self Clean
- Four Preset Menu Cook Options
- Split Rack
- Boil Alert
- Warming Drawer

Convenience

- Hot Surface Indicator Light
- Auto Oven Light (2)
- Proofing
- Sabbath Mode
- Kitchen Timer
- Delay Start
- Child Safety Lock
- Self-Clean (2 / 3 / 4 hrs.)
- 4 Easy Cook Pre-Sets
- Custom Cook
- Defrost
- 2 Chrome Oven Racks + 1 Split Rack



Easy to use cook top and oven with a 1.4 cu. ft. Warming Drawer.



Controls at your fingertips with an easy to read LED display.



Generous 5.9 cu. ft cavity has more flexibility with a divider.

Signature Features

Available Colors



Flex Cookzone™

A large 10" x 17" area fits oversized pans that don't fit on most stovetops.

Full Induction Cooktop

Induction cooking focuses the most heat directly to the pot so that you can boil and cook faster, plus simmer with more control. Induction cooking uses heat more efficiently as compared to electric and gas.

Boil Alert

Convenient Boiling Sensor alerts you when water boils and automatically reduces heat to a preset heat level.

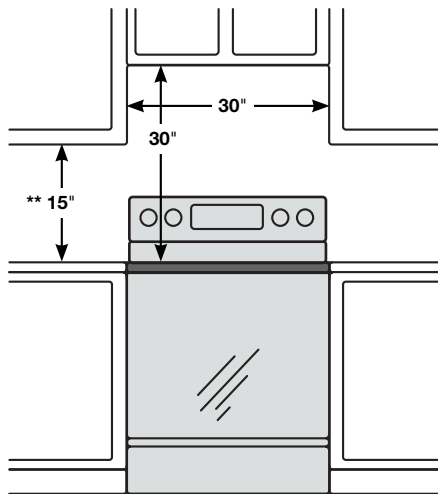
NE597N0PBSR

5.9 cu. ft. Freestanding Full Induction with True Convection

Installing your Range

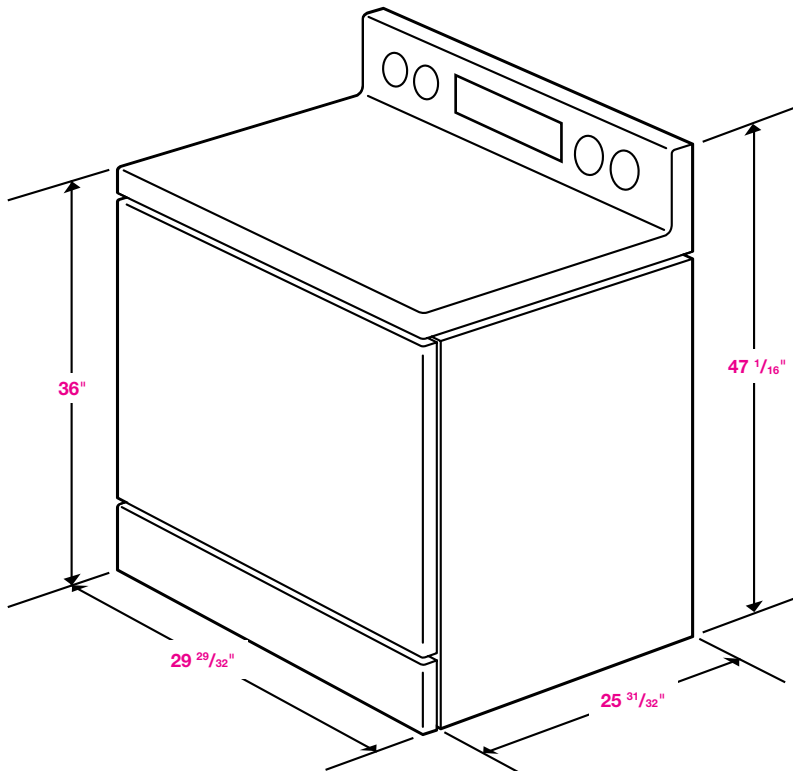
* 30" minimum clearance between the top of the cooking surface and the bottom of an unprotected wood or metal cabinet; or 24" minimum when the bottom of the wood or metal cabinet is protected by not less than 1/4" flame retardant millboard covered with not less than no.28 MSG sheet steel, 0.015" stainless steel, 0.024" aluminum or 0.020" copper.

** 15" minimum between the countertop and the adjacent cabinet bottom.



IMPORTANT: To eliminate the risk of burns or fire caused by reaching over heated surface units, cabinet storage space located above the surface units should be avoided. If cabinet storage is to be provided, the risk can be reduced by installing a range hood that projects horizontally a minimum of 5" beyond the bottom of the cabinets.

Dimensions



Power Source

240 V / 60 Hz

Induction Ceramic Cooktop

- Flex CookZone 4.6 KW
- Induction 11", 3.4 KW – Boost
- Induction 7", 3.4 KW – Boost

Oven

- Hidden Bake Element: 3000 W
- Convection Bake: 150°F - 550°F
- Convection Roast: 150°F - 550°F
- Broil Element: 3800 W
- Convection Element/Heater: 1300 W
- Broil: Low / Hi (375°F / 450°F)
- Proofing
- Sabbath Mode

Warranty

One (1) Year All Parts and Labor
Five (5) Years Electric Cooktop

Product Dimensions + Weight

Actual Oven Dimensions

(WxHxD) 25" x 20 ²⁵/₃₂" x 18 ¹⁵/₁₆"

Outside Net Dimensions:

(WxHxD) 29 ²⁹/₃₂" x 47 ¹/₁₆" x 25 ³¹/₃₂"

Weight: 197 lbs / 89.4 kg

Shipping Dimensions + Weight

Dimensions: (WxHxD) 32 ⁷/₈" x 50 ¹³/₃₂" x 30 ¹/₈"

Weight: 227 lbs / 103 kg

Color

Stainless Steel

Model

NE597N0PBSR

UPC Code

036725570764