

RF22A411SR

SAMSUNG

22 cu. ft. Smart 3-Door French Door Refrigerator



Signature Features

Modern Design

Clean lines and modern form blend beautifully into your kitchen.

Wi-Fi Connectivity

Use the Samsung SmartThings App¹ on your smartphone to control the temperature of your refrigerator and monitor it remotely.

¹Available on Android and iOS devices. A Wi-Fi connection and a Samsung account are required.

All-Around Cooling

Multi-vent technology keeps items evenly cooled on every shelf.

Automatic Ice Maker

Automatically makes and stores plenty of ice.

Available Color



Fingerprint Resistant
Stainless Steel



Modern Design



Fingerprint Resistant Finish

Design

- Modern Design
- Fingerprint Resistant Finish
- Narrow 30" Width
- LED Lighting
- Gallon Door Bins
- 2 Humidity-Controlled Crispers
- Full-Width Drawer

Technology

- Wi-Fi Connectivity
- Door Alarm
- Power Cool & Power Freeze

Performance

- All-Around Cooling
- Automatic Ice Maker - Stores up to 6.6 lbs of ice

Rating



ENERGY STAR[®] rated:
585 kWh/yr



ADA Compliant

RF22A411SR

SAMSUNG

22 cu. ft. Smart 3-Door French Door Refrigerator

Installation Specifications

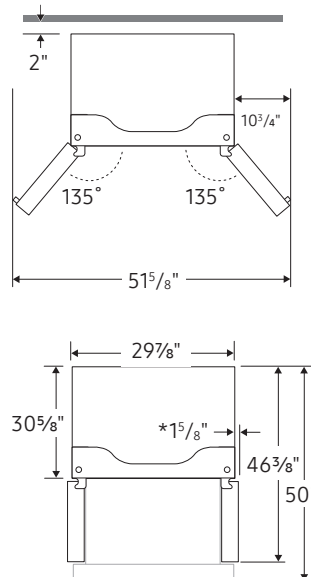
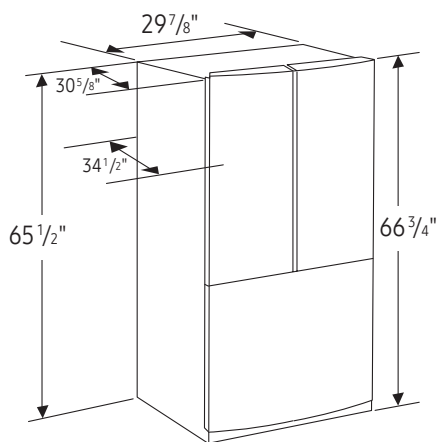
1. Measure the height, width and depth of the opening, making sure to include baseboards, molding tile, countertop overhang, etc. Check to be sure there is enough room to open the door (consider walls, islands or other obstacles when measuring).
2. Refer to illustration below to determine dimensions.
3. Allow 2.5" of clearance on hinge side of refrigerator when installing next to a wall where door may make contact.
4. Allow 2" minimum clearance at rear for proper air circulation and water/electrical connections. Allow a 3/8" minimum clearance at top for ease of installation.
5. Ensure each door and entryway in the home is wide enough for the refrigerator to be moved through easily.

For optimal usage and ability to open refrigerator doors completely, do not install next to a wall.

Please note: The following dimension and cutout information is for planning purposes only. For complete installation details, consult manual packed with product or download manual online at samsung.com.



Dimensions



*Allow 1 5/8" of clearance to enable doors to open 90° when installed next to a wall.

Total Capacity: 22.1 cu. ft.

Refrigerator: 15.1 cu. ft.

- 3 Tempered Glass Spill-Proof Shelves
- 2 Humidity-Controlled Crispers
- Full-Width Drawer
- 6 Door Bins
 - Right Door: 1 Gallon Bin, 2 Regular Bins
 - Left Door: 3 Regular Bins
- LED Lighting

Freezer: 7 cu. ft.

- Automatic Ice Maker
- 1 Drawer Divider
- LED Lighting

Warranty

One (1) Year Parts and Labor on Refrigerator
Five (5) Years Parts and Labor on Sealed Refrigeration System Only*
Ten (10) Years Parts and Five (5) Years Labor on Digital Inverter Compressor

*Compressor, evaporator, condenser, drier and connecting tubing.

Product Dimensions & Weight

Dimensions (WxHxD with hinges and doors):
29 7/8" x 66 3/4" x 34 1/2"

Dimensions (WxHxD without hinges and door):
29 7/8" x 65 1/2" x 30 5/8"

Weight: 224 lbs

Shipping Dimensions & Weight (WxHxD)

Dimensions: 30 1/2" x 71 7/8" x 36 1/4"

Weight: 231 lbs

Color	Model #	UPC Code
Fingerprint Resistant Stainless Steel	RF22A4111SR	887276545981