



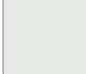
ME21D*6500

SAMSUNG

Bespoke Smart 2.1 cu. ft. Over-the-Range Microwave
with Auto Connectivity & SmartThings Cooking



Available Colors

-  **Stainless Steel**
ME21DG6500SRAA
-  **Matte Black Steel**
ME21DG6500MTAA
-  **White Glass**
ME21DB650012AA

Features

- Auto Connectivity
- LED Display
- SmartThings Cooking
- Glass Touch Controls
- Home Dessert
- Ceramic Enamel Interior

Functions

- Kitchen Timer
- +30 Seconds
- Sensor Cook
- Auto Cook
- Keep Warm
- Defrost

Convenience

- Wi-Fi Connectivity
- Voice-Enabled
- Clock (12 hr/24 hr) with Daylight Savings Time Adjustment
- Reminder End Signal
- LED Cooktop Lighting
- Halogen Interior Lighting
- Vent Fan Control: On/Off/Delay Off
- Sound On/Off
- Eco Mode

Specifications

- Capacity: 2.1 cu.ft.
- 400 CFM Ventilation
- Power Output: 1000W
- Power Consumption: 1700W

Dimensions

Cavity Dimensions (WxHxD)

Dimensions: 22¹/₈" x 10¹³/₁₆" x 14⁷/₈"

Product Dimensions (WxHxD)

Dimensions: 29⁷/₈" x 17¹/₁₆" x 16¹/₂"

Weight: 58.9 lbs

Shipping Dimensions & Weight (WxHxD)

Dimensions: 33¹¹/₃₂" x 20¹³/₁₆" x 19³/₈"

Weight: 65.5 lbs

Warranty

One (1) Year Parts and Labor

Ten (10) Years Parts on Magnetron

UPC

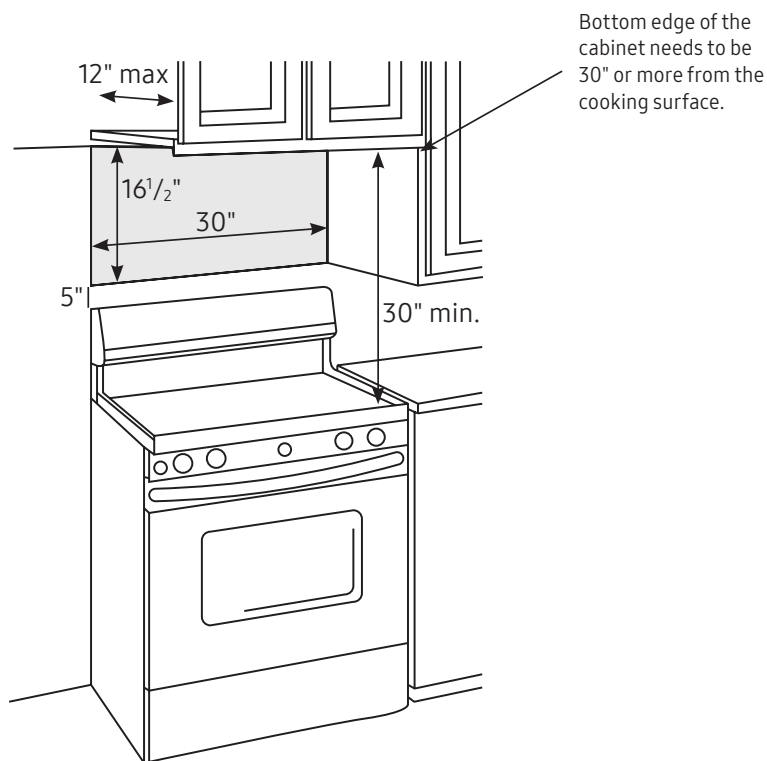
Finish	Model #	UPC Code
Stainless Steel	ME21DG6500SRAA	887276827346
Matte Black Steel	ME21DG6500MTAA	887276827322
White Glass	ME21DB650012AA	887276821320

ME21D*6500

SAMSUNG

Bespoke Smart 2.1 cu. ft. Over-the-Range Microwave with Auto Connectivity & SmartThings Cooking

Installation Specifications



NOTES:

- The space between the cabinets must be 30" wide and free of obstructions.
- This microwave oven is for installation over ranges up to 36" wide.
- If you are going to vent your microwave oven to the outside, see the Hood Exhaust Section for exhaust duct preparation.
- **If installing the microwave oven beneath smooth flat cabinets, be careful to follow the instructions on the top cabinet template for power cord clearance.**
- **Maximum cabinet depth above and beside the unit is 12".**
- **The dimensions provided are the minimum required for mounting the microwave oven. Local codes and the practical use of the range will likely require you to provide more than the 13.5" shown between the range and the bottom of the microwave.**

FOR EASIER INSTALLATION AND PERSONAL SAFETY, WE RECOMMEND THAT TWO PEOPLE INSTALL THIS MICROWAVE OVEN. IMPORTANT: Do not grip or use handle during installation.

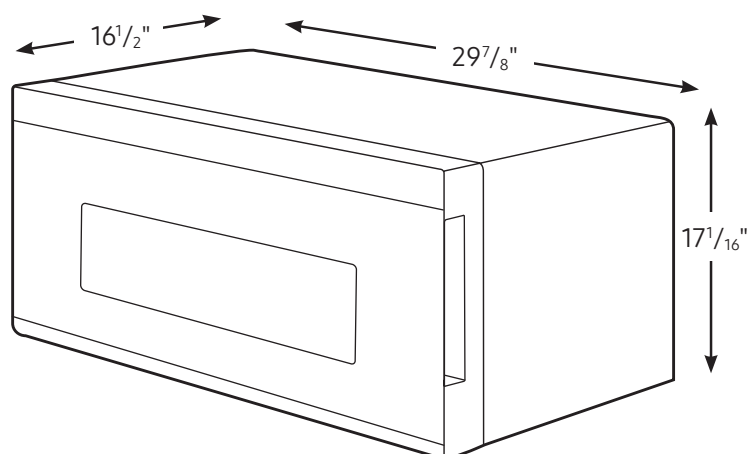
NOTE: If your cabinet is metal, use the nylon grommet around the power cord hole to prevent cutting of the cord.

NOTE: We recommend using filler blocks if the cabinet front hangs below the cabinet bottom shelf.

IMPORTANT: If filler blocks are not used, case damage may occur from overtightening screws.

NOTE: When mounting the microwave oven, thread power cord through hole in bottom of top cabinet. Do not pinch cord or lift oven by pulling cord.

Dimensions



Electrical Requirements

120V/60 Hz