

# NX63\*\*8315

SAMSUNG

## 6.0 cu. ft. Smart Slide-in Gas Range with Air Fry & Convection



### Signature Features

#### Air Fry

- Cooking just got healthier with Air Fry mode.\* Using little to no oil, you can quickly prepare your favorite fried foods right in your oven.

\*As compared to deep frying. Air Fry tray sold separately.

#### Convection

- Powerful Convection saves you time by cooking food fast and more evenly. Perfect for baking and roasting.

#### Ready2Fit™ Guarantee

- If your Samsung Front Control Slide-In Range doesn't fit your 30" Freestanding Range cutout, enjoy \$100\* on us to cover any countertop modification costs.

\*Visit <https://promos.samsung.com/slideinready2fit> for details.

### Available Colors



White Glass



Fingerprint Resistant  
Stainless Steel (shown)



Air Fry – Tray Not Included



Convection

### Features

- Air Fry – Tray Not Included
- Convection
- Ready2Fit™ Guarantee
- Fingerprint Resistant Finish
- 2 Power Burners
- Integrated Cast-Iron Griddle
- Large Oven Capacity – 6.0 cu. ft.
- Glass Touch Controls
- Edge-to-Edge Grates
- Storage Drawer
- Flexible Cooktop:

- Five Burner Cooktop
  - Right Front: 17K BTU
  - Left Front: 16K BTU
  - Right Rear: 5K BTU
  - Left Rear: 9.5K BTU
  - Center (Oval): 10K BTU

### Convenience

- Wi-Fi Connectivity
- Voice-Enabled
- Convection
- Self Clean
- Child Safety Lock
- Delay Start
- Auto Oven Light
- Kitchen Timer
- Sabbath Mode

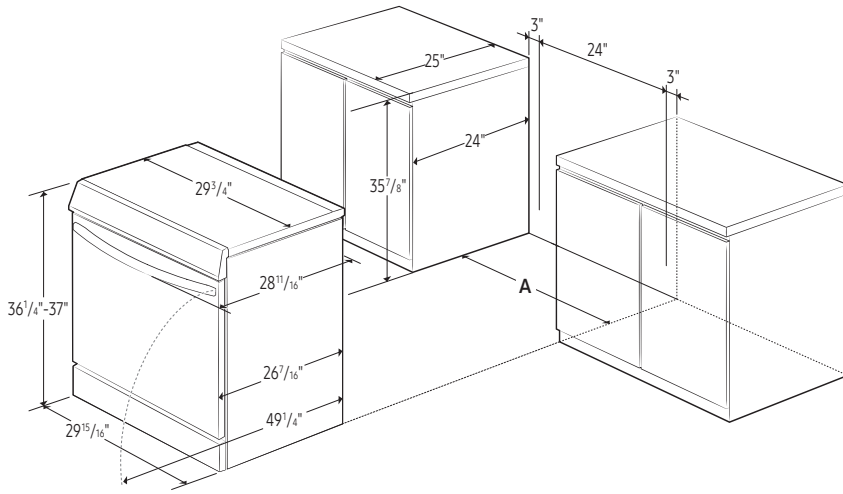


# NX63\*\*8315

**SAMSUNG**

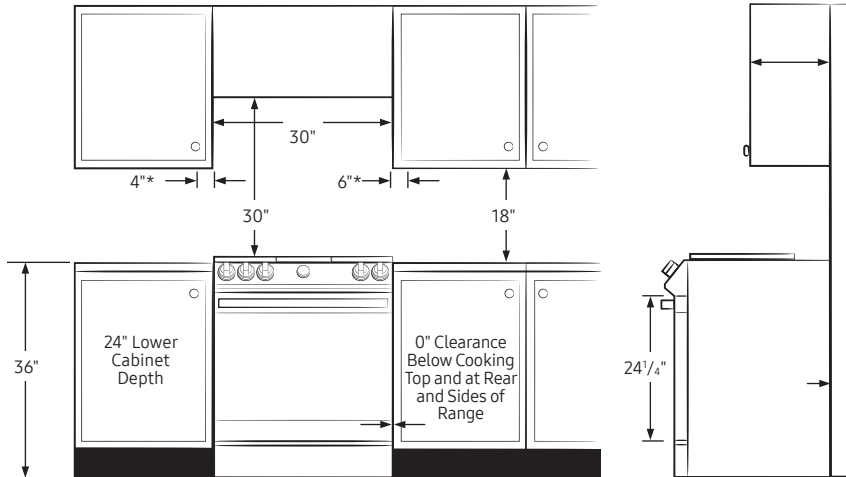
## 6.0 cu. ft. Smart Slide-in Gas Range with Air Fry & Convection

### Installing Your Range



#### A: Cabinet opening 30"

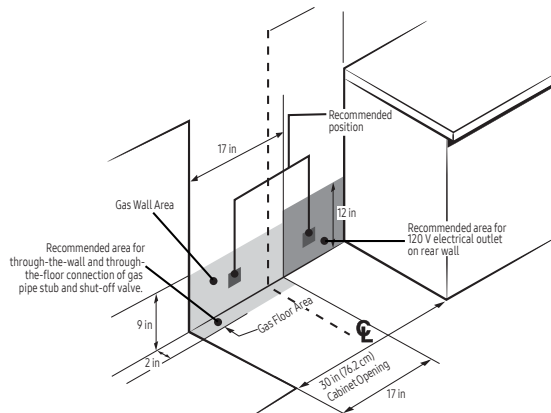
**IMPORTANT:** If your cabinets are over 37" high, you must install this range on a hard, heat-resistant support that raises the surface of the range so that it is about even with the countertop.



\*Side clearance above cooking surface to any objects, i.e., wall.

**IMPORTANT:** Consult with Installation Manual for detailed instructions before installing. All ranges must be installed with the Anti-Tip device that is included.

### Recommended Locations for Gas Piping and Electrical Outlets



Actual color may vary. Design, specifications, and color availability are subject to change without notice. Non-metric weights and measurements are approximate.

©2022 Samsung Electronics America, Inc. 85 Challenger Road, Ridgefield Park, NJ 07660. Tel: 800-SAMSUNG. samsung.com. Samsung is a registered trademark of Samsung Electronics Co. Ltd.

**Total Power (BTU)**  
57,500 BTU

**Power Source**  
120V/60Hz/20A

#### Black Enamel 5-Burner Cooktop

- Right Front: 17K BTU
- Left Front: 16K BTU
- Right Rear: 5K BTU
- Left Rear: 9.5K BTU
- Center (Oval): 10K BTU

#### Oven

- Capacity: 6.0 cu. ft.
- Convection Bake
- Convection Roast
- Bake
- Air Fry
- Variable Broil: Low/High
- Bread Proof

#### Warranty

One (1) Year Parts and Labor

#### White Glass Model Only:

Two (2) Years Parts and Labor\*

\*Effective for purchases made between 10/1/22 - 9/30/23; proof of purchase required.

#### Product Dimensions & Weight (WxHxD)

Actual Oven Dimensions:

24<sup>13</sup>/<sub>16</sub>" x 21<sup>5</sup>/<sub>8</sub>" x 19<sup>5</sup>/<sub>8</sub>"

Outside Dimensions:

29<sup>15</sup>/<sub>16</sub>" x 36<sup>1</sup>/<sub>4</sub>-37" (Adjustable) x 28<sup>11</sup>/<sub>16</sub>"

Weight: 204.6 lbs

#### Shipping Dimensions & Weight (WxHxD)

Dimensions:

33<sup>1</sup>/<sub>16</sub>" x 41<sup>3</sup>/<sub>4</sub>" x 30<sup>5</sup>/<sub>16</sub>"

Weight: 229.5 lbs

#### Standard Finishes

Fingerprint Resistant  
Stainless Steel

#### Model #

NX60BG8315SS

#### UPC Code

887276742373

#### Bespoke Finishes

White Glass

NX60CB831512

887276744285

Ready2Fit™

