

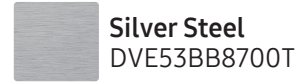
DVE53BB8700

SAMSUNG

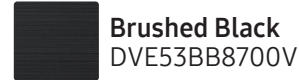
Bespoke 7.6 cu. ft. Ultra Capacity Electric Dryer with Super Speed Dry and AI Smart Dial



Available Colors



Silver Steel
DVE53BB8700T



Brushed Black
DVE53BB8700V

Features

- Bespoke Design
- Super Speed Dry
- AI Smart Dial
- MultiControl™
- Steam Sanitize+
- ENERGY STAR® Certified
- Shallow Closet-Depth Fit¹
- Flexible Installation
- Wi-Fi Connectivity²
- Sensor Dry
- 7.6 cu. ft. Ultra Capacity
- Vent Sensor
- Lint Filter Indicator
- Stainless Steel Drum
- Premium Tempered Glass Door
- Internal Drum Light
- Drying Rack
- Reversible Dryer Door
- ADA Compliant³
- 19 Total Drying Cycles
- 14 Options
- 5 Temperature Settings
- 4-Way Venting (Back, Bottom, Left, Right)

Convenience

- Child Lock
- Filter Check Indicator

Ratings



ENERGY STAR® Rated:
608 kWh/yr

Electrical Requirements

240 V / 60 Hz
30 Amps

Specifications

19 Preset Drying Cycles:

Steam Refresh, Wrinkle Away, Steam Sanitize+, Super Speed, Eco Normal, Normal, Heavy Duty, Towels, Permanent Press, Activewear, Bedding, Delicates, Wool, Shirts, Denim, Time Dry, Air Fluff, Small Load, Rack Dry

14 Options:

Damp Alert, Wrinkle Prevent, AntiStatic, My Cycles, Smart Control, Eco Dry, Drum Light, Child Lock, Alarm, AI Pattern, Wi-Fi, Language, Vent Blockage Test, Factory Reset

5 Temperature Settings:

High, Medium, Medium Low, Low, Extra Low

5 Dry Levels:

Very Dry, More Dry, Normal Dry, Less Dry, Damp Dry

Warranty

Two (2) Years Parts and Labor*

*Effective for purchases made between 10/1/22 - 9/30/23; proof of purchase required.

Product Dimensions & Weight (WxHxD)

Dimensions: 27" x 38³/₄" x 31⁷/₁₆"

Weight: 121.3 lbs

Shipping Dimensions & Weight (WxHxD)

Dimensions: 29³/₈" x 42¹⁵/₁₆" x 34¹¹/₁₆"

Weight: 130.1 lbs

| Electric Dryer | Model # | UPC Code |
|----------------|--------------|--------------|
| Silver Steel | DVE53BB8700T | 887276657233 |
| Brushed Black | DVE53BB8700V | 887276657240 |

| Gas Dryer | Model # | UPC Code |
|---------------|--------------|--------------|
| Silver Steel | DVG53BB8700T | 887276657295 |
| Brushed Black | DVG53BB8700V | 887276657301 |

| Matching Washer | Model # | UPC Code |
|-----------------|--------------|--------------|
| Silver Steel | WF53BB8700AT | 887276652238 |
| Brushed Black | WF53BB8700AV | 887276652245 |

| Optional Accessories | Model # | UPC Code |
|------------------------------------------------------------|----------|--------------|
| Silver Steel Pedestal | WE502NT | 887276665283 |
| Brushed Black Pedestal | WE502NV | 887276665290 |
| Brushed Black Riser | WE272NV | 887276197630 |
| Silver Steel Bespoke Stacking and MultiControl™ Combo Kit | SKK-9MCT | 887276667379 |
| Brushed Black Bespoke Stacking and MultiControl™ Combo Kit | SKK-9MCV | 887276667386 |
| Vent Kit | DV-2A | 887276146416 |

¹Designed to fit a 38" installation depth.

²Requires wireless network, Samsung account and SmartThings App. The Samsung SmartThings App supports Android OS 4.0 (ICS) or later which is optimized for Samsung smartphones (Galaxy S and Galaxy Note series). This app also supports iOS 7 or later for iPhone models. SmartThings App available in App Store and Play Store. Only monitoring enabled on Gas Dryers for safety reasons.

³ADA Compliant when using 27" wide riser. (Riser model codes: WE272NV, WE272NW, WE272NC)

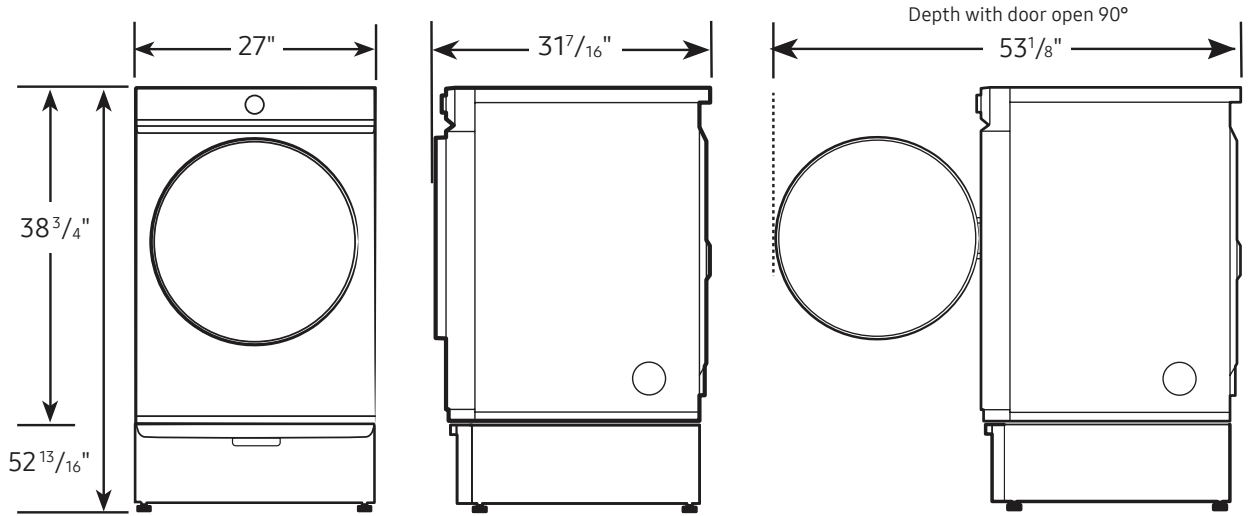
DVE53BB8700

SAMSUNG

Bespoke 7.6 cu. ft. Ultra Capacity Electric Dryer with Super Speed Dry and AI Smart Dial

Dimensions

Required dimensions for installation with pedestal:

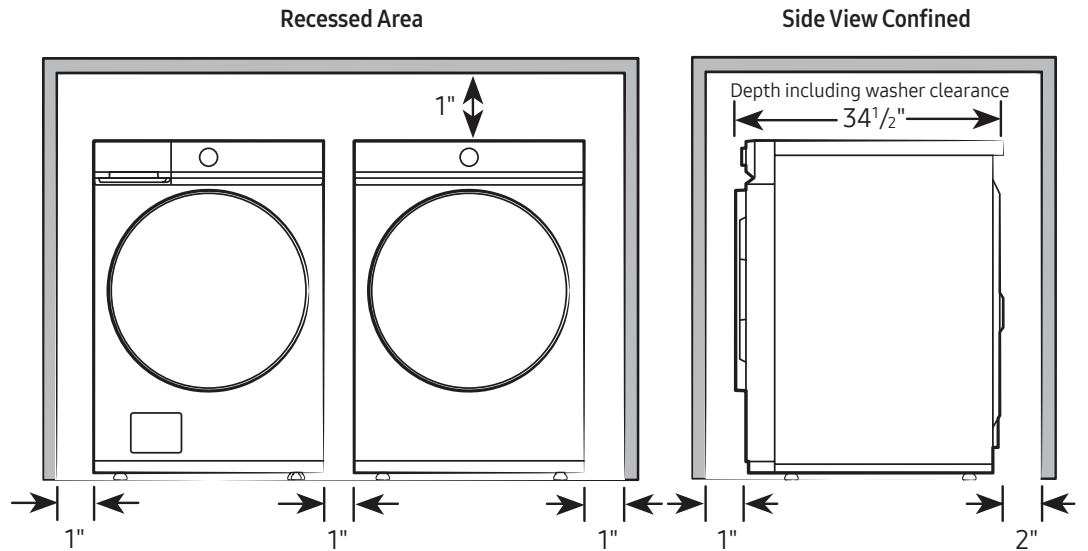


Installation Specifications – Side-by-Side

If the washer and dryer are installed together or the dryer alone, the closet front must have two unobstructed air openings for a combined minimum total area of 72-inch². Your washer alone does not require a specific air opening.

Alcove or closet installation

Minimum clearance for closet and alcove installations:



Connection Dimensions

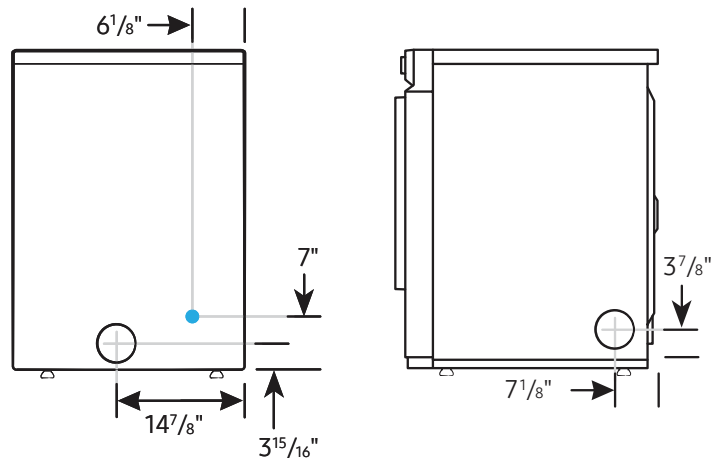
Back and side view of dryer

LEGEND:

● Cold Water Connection

Actual color may vary. Design, specifications, and color availability are subject to change without notice. Non-metric weights and measurements are approximate.

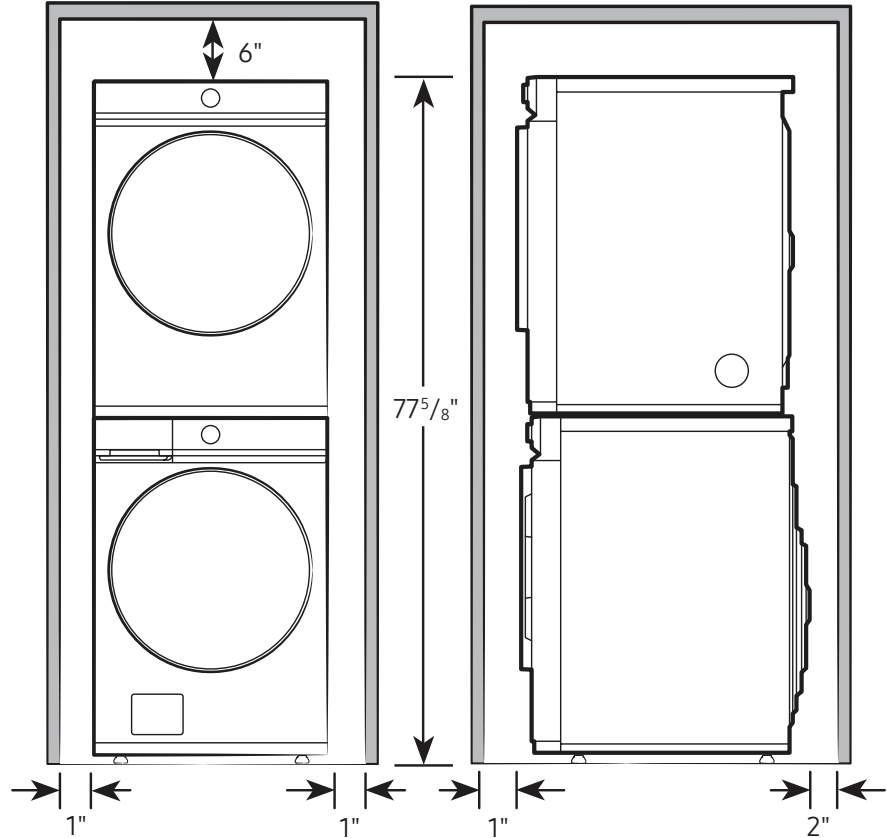
©2023 Samsung Electronics America, Inc., 85 Challenger Road, Ridgefield Park, NJ 07660. Tel: 800-SAMSUNG.samsung.com. Samsung is a registered trademark of Samsung Electronics Co., Ltd.



Bespoke 7.6 cu. ft. Ultra Capacity Electric Dryer
with Super Speed Dry and AI Smart Dial

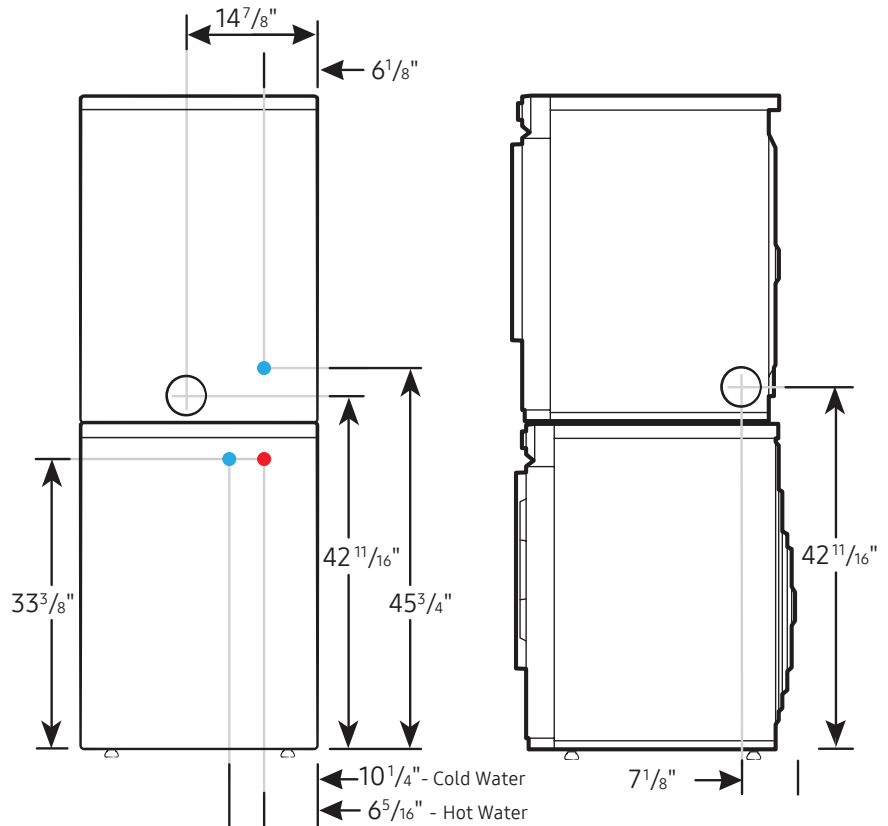
Installation Specifications – Stacked Pair

Clearances indicated are for stacked pairs. The closet front must have two unobstructed air openings for a combined minimum total area of 72-inch².



Connection Dimensions

Back and side views of stacked pair



- LEGEND:**
- Cold Water Connection
 - Hot Water Connection

Actual color may vary. Design, specifications, and color availability are subject to change without notice. Non-metric weights and measurements are approximate.