

WV60A9900AV

SAMSUNG

Samsung 6.0 cu. ft. Total Capacity Smart Dial Washer with FlexWash™ and Super Speed Wash



Available Color



Brushed Black
WV60A9900AV

| Washer | Model # | UPC Code |
|---------------|-------------|--------------|
| Brushed Black | WV60A9900AV | 887276557885 |

| Matching Electric Dryer | Model # | UPC Code |
|-------------------------|-------------|--------------|
| Brushed Black | DVE60A9900V | 887276551616 |

| Matching Gas Dryer | Model # | UPC Code |
|--------------------|-------------|--------------|
| Brushed Black | DVG60A9900V | 887276551623 |

| Optional Accessories | Model # | UPC Code |
|----------------------|---------|--------------|
| Brushed Black Riser | WE272NV | 887276197630 |

Electrical Requirements

120 V / 60 Hz
15 Amps

Warranty

One (1) Year Parts and Labor
Three (3) Years Stainless Steel Drum (Part Only)
Ten (10) Years DD Motor (Part Only)

Product Dimensions & Weight (WxHxD)

Dimensions: 27" x 46¹⁵/₁₆" x 34"
Weight: 303.6 lbs

Shipping Dimensions & Weight (WxHxD)

Dimensions: 29⁹/₁₆" x 51³/₈" x 36¹/₁₆"
Weight: 314.6 lbs

Lower Wash Features

- FlexWash™
- AI Powered Smart Dial
- Super Speed Wash
- Wi-Fi Connectivity¹
- CleanGuard™²
- Extra-Large 5.0 cu. ft. Capacity
- Steam
- PowerFoam™
- ENERGY STAR® Most Efficient
- Vibration Reduction Technology+
- Swirl Drum Interior
- Self Clean+
- Interior Drum Light
- Direct Drive Motor
- 1300 RPM Maximum Spin Speed
- Internal Water Heater
- 24 Total Washing Cycles
- 13 Options

Specifications

24 Total Washing Cycles:

Normal, Eco Cold, Heavy Duty, Permanent Press, Towels, Bedding, Activewear, Delicates, Wool, Rinse + Spin, Super Speed, Small Load, Steam Whites, Steam Sanitize, Steam Normal, Colors, Power Rinse, Power Steam, Steam Allergen, Steam Bulky, Outdoor, Denim, Self Clean+, Spin Only

13 Washing Options:

Super Speed, Delay End, My Cycles, Presoak, Extra Rinse, Child Lock, Drum Light, AI Pattern, Alarm, Calibration, Wi-Fi, Language, Factory Reset

5 Temperature Settings:

Extra Hot, Hot, Warm, Cold, Tap Cold

7 Spin Settings:

Extra High, High, Medium, Low, Extra Low, Drain & No Spin, Rinse Hold & No Spin

5 Soil Settings:

Extra Heavy, Heavy, Normal, Light, Extra Light

Convenience

- Child Lock
- Dispenser Trays: Main Wash, Softener, Bleach

Ratings



CEE Tier 2
IMEF = 2.92
IWF = 2.9
110 kWh/yr

Upper Wash Features

- AI Powered Smart Dial
- Vibration Reduction Technology
- Wi-Fi Connectivity¹
- Self Clean
- 800 RPM Maximum Spin Speed
- Stainless Steel Interior
- Direct Drive Motor
- 6 Total Washing Cycles
- 10 Options

Specifications

6 Total Washing Cycles:

Normal, Activewear, Delicates, Rinse + Spin, Spin Only, Self Clean

10 Washing Options:

Water Temp (Tap Cold, Cold, Warm), Extra Rinse, Child Lock, My Cycles, AI Pattern, Alarm, Calibration, Wi-Fi, Language, Factory Reset

3 Temperature Settings:

Warm, Cold, Tap Cold

4 Spin Settings:

Low, Extra Low, Drain & No Spin, Rinse Hold & No Spin

2 Soil Settings:

Light, Extra Light

Ratings

IMEF = 1.15
IWF = 12.0
60 kWh/yr

¹ Requires wireless network, Samsung account and Samsung SmartThings App. The Samsung Smart Things App supports Android OS 4.0 (ICS) or later which is optimized for Samsung smartphones (Galaxy S and Galaxy Note series). This app also supports iOS 7 or later for iPhone models. Samsung SmartThings App available in App Store and Play Store.

² Antimicrobial treatment does not protect users or other items against bacteria, viruses, germs, or other disease organisms.

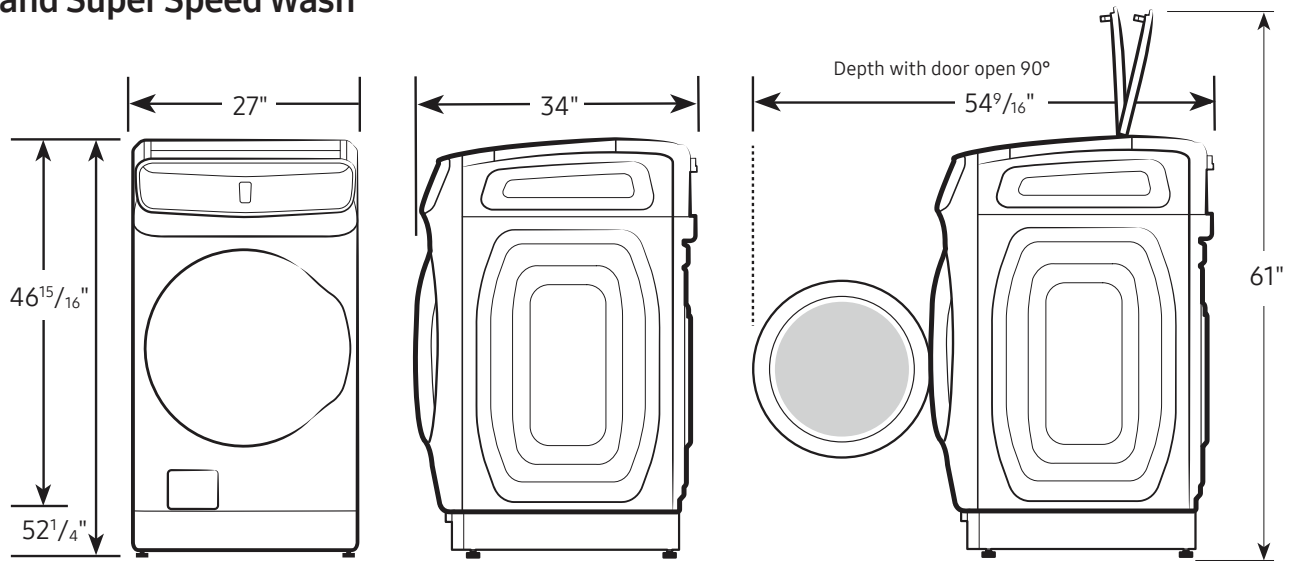
WV60A9900AV



Samsung 6.0 cu. ft. Total Capacity Smart Dial Washer with FlexWash™ and Super Speed Wash

Dimensions

Required dimensions for installation with riser:

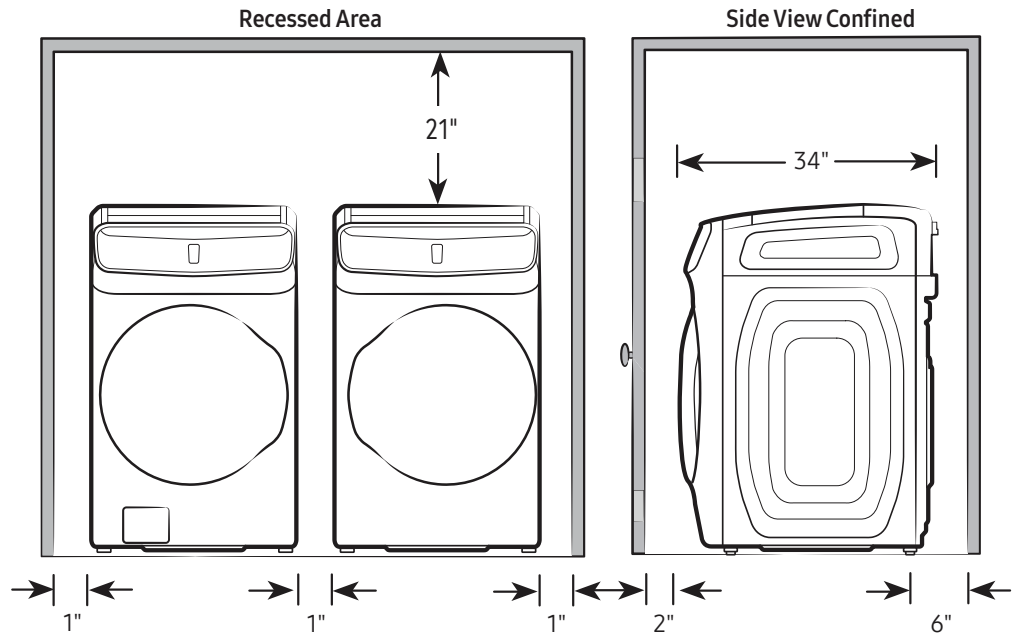


Installation Specifications – Side-by-Side

If the washer and dryer are installed together or the dryer alone, the closet front must have two unobstructed air openings for a combined minimum total area of 72-inch². Your washer alone does not require a specific air opening.

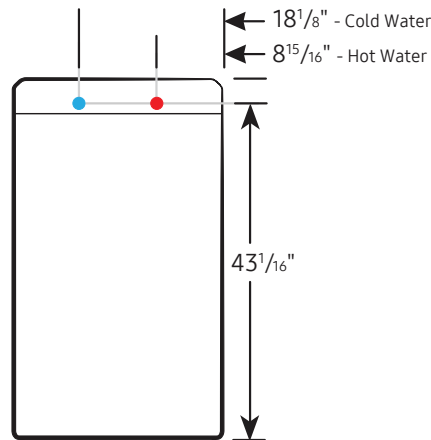
Alcove or closet installation

Minimum clearance for closet and alcove installations:



Connection Dimensions

Back view of washer



LEGEND:

- Cold Water Connection
- Hot Water Connection

Actual color may vary. Design, specifications, and color availability are subject to change without notice. Non-metric weights and measurements are approximate.

©2021 Samsung Electronics America, Inc., 85 Challenger Road, Ridgefield Park, NJ 07660. Tel: 800-SAMSUNG. samsung.com. Samsung is a registered trademark of Samsung Electronics Co., Ltd.

DVE60A9900V

Samsung 7.5 cu. ft. Smart Dial Electric Dryer with FlexDry™ and Super Speed Dry

SAMSUNG



Available Color



Brushed Black
DVE60A9900V

| Electric Dryer | Model # | UPC Code |
|----------------------|-------------|--------------|
| Brushed Black | DVE60A9900V | 887276551616 |
| Gas Dryer | | |
| Brushed Black | DVG60A9900V | 887276551623 |
| Matching Washer | | |
| Brushed Black | WV60A9900AV | 887276557885 |
| Optional Accessories | | |
| Brushed Black Riser | WE272NV | 887276197630 |
| Vent Kit | DV-2A | 887276146416 |

Electrical Requirements

120 V / 240 V / 60 Hz
30 Amps

Warranty

One (1) Year Parts and Labor

Product Dimensions & Weight (WxHxD)

Dimensions: 27" x 46¹⁵/₁₆" x 32¹/₂"
Weight: 167.2 lbs

Shipping Dimensions & Weight (WxHxD)

Dimensions: 29⁹/₁₆" x 50¹/₄" x 34¹¹/₁₆"
Weight: 178.2 lbs

Tumble Dryer Features

- FlexDry™
- AI Powered Smart Dial
- Super Speed Dry
- Steam Sanitize+
- CleanGuard™¹
- Wi-Fi Connectivity²
- ENERGY STAR® Certified
- Sensor Dry
- Vent Sensor
- Stainless Steel Drum
- Large 7.5 cu. ft. Capacity
- Interior Drum Light
- Reversible Door
- Lint Filter Indicator
- 18 Total Drying Cycles
- 14 Options
- 5 Temperature Settings
- 9 Timed Dry Settings
- 4-Way Venting

Specifications

18 Total Drying Cycles:

Refresh, Wrinkle Away, Steam Sanitize+, Super Speed, Eco Normal, Normal, Heavy Duty, Towels, Permanent Press, Activewear, Bedding, Delicates, Wool, Shirts, Denim, Time Dry, Air Fluff, Quick Dry

14 Drying Options:

Mixed Load Bell, Wrinkle Prevent, AntiStatic, My Cycles, Smart Control, Eco Dry, Drum Light, Child Lock, Alarm, AI Pattern, Wi-Fi, Language, Vent Blockage Test, Factory Reset

5 Temperature Settings:

High, Medium, Medium Low, Low, Extra Low

5 Dry Levels:

Very Dry, More Dry, Normal Dry, Less Dry, Damp Dry

Convenience

- Child Lock
- Filter Check Indicator

Rating



ENERGY STAR® Rated:
608 kWh/yr

Delicate Dryer Features

- AI Powered Smart Dial
- Wi-Fi Connectivity²
- Drying Rack
- 4 Total Drying Cycles
- 10 Options
- 12 Timed Dry Settings

Specifications

4 Total Drying Cycles:

Sweaters, Blouses, Undergarments, Accessories

10 Drying Options:

Super Speed, Air Fluff, Smart Control, My Cycles, Child Lock, Alarm, AI Pattern, Wi-Fi, Language, Factory Reset

Convenience

- Child Lock

¹Antimicrobial treatment does not protect users or other items against bacteria, viruses, germs, or other disease organisms.

²Requires wireless network, Samsung account and Samsung SmartThings App. The Samsung Smart Things App supports Android OS 4.0 (ICS) or later which is optimized for Samsung smartphones (Galaxy S and Galaxy Note series). This app also supports iOS 7 or later for iPhone models. Samsung SmartThings App available in App Store and Play Store.

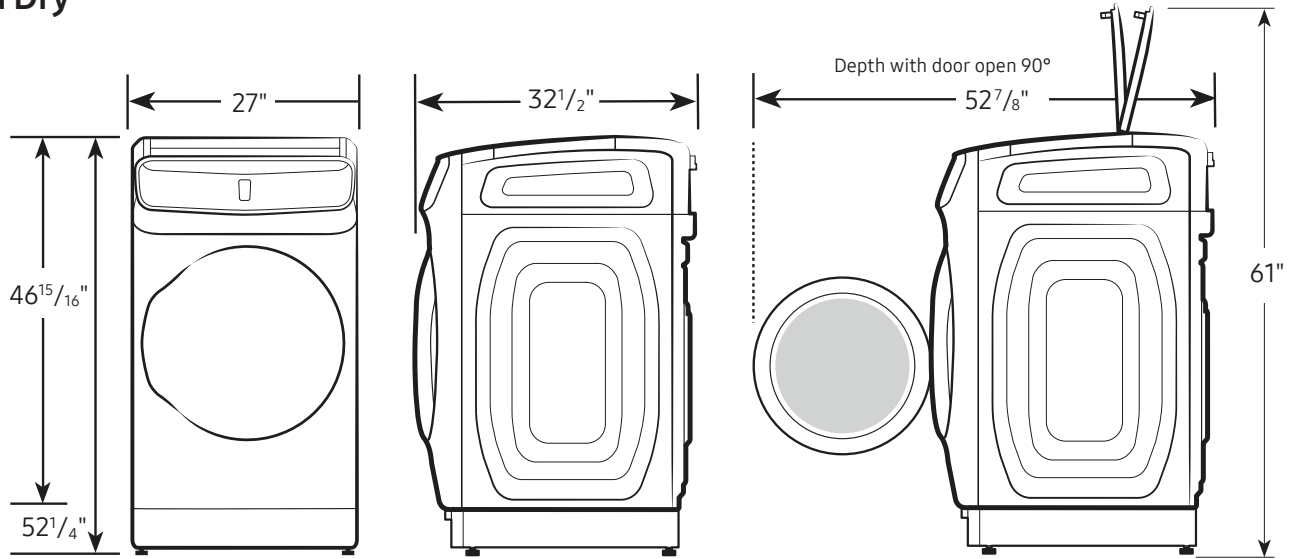
DVE60A9900V



Samsung 7.5 cu. ft. Smart Dial Electric Dryer with FlexDry™ and Super Speed Dry

Dimensions

Required dimensions for installation with pedestal:

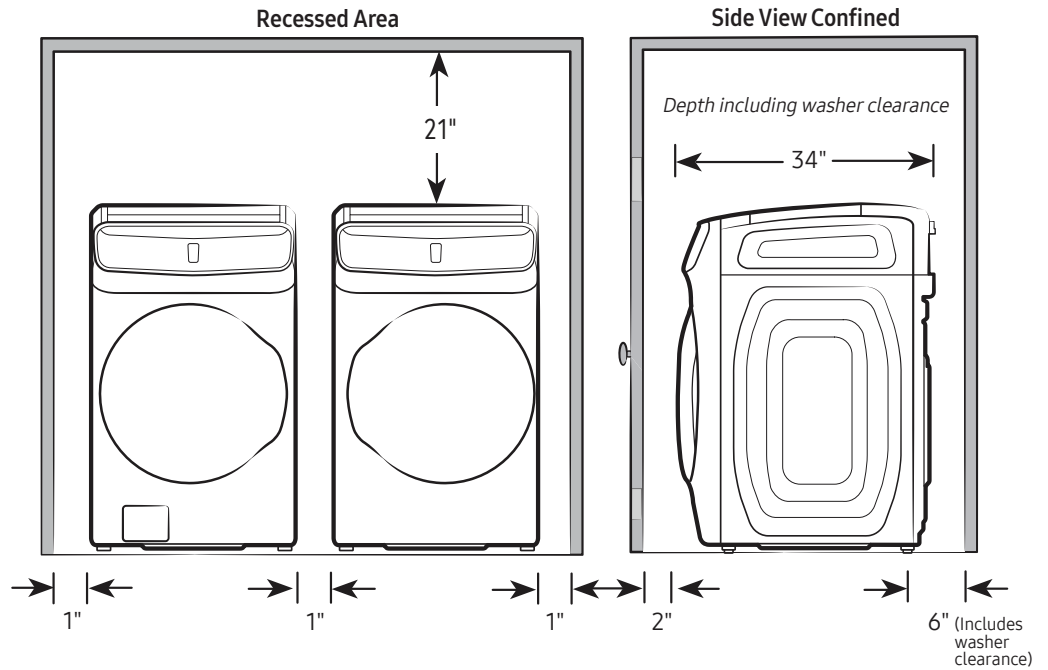


Installation Specifications – Side-by-Side

If the washer and dryer are installed together or the dryer alone, the closet front must have two unobstructed air openings for a combined minimum total area of 72-inch². Your washer alone does not require a specific air opening.

Alcove or closet installation

Minimum clearance for closet and alcove installations:



Connection Dimensions

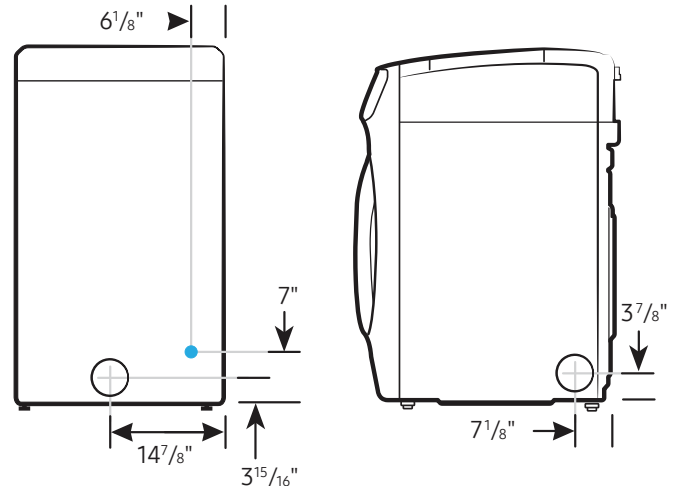
Back and side view of dryer

LEGEND:

- Cold Water Connection

Actual color may vary. Design, specifications, and color availability are subject to change without notice. Non-metric weights and measurements are approximate.

©2021 Samsung Electronics America, Inc., 85 Challenger Road, Ridgefield Park, NJ 07660. Tel: 800-SAMSUNG. samsung.com. Samsung is a registered trademark of Samsung Electronics Co., Ltd.



WE272NV

SAMSUNG

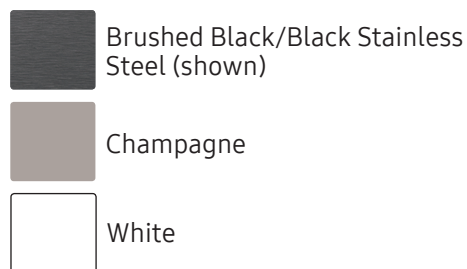
Samsung Front Load Riser



Signature Features:

- This 27" wide riser will allow you to lift your Samsung Front Load washer or dryer by 6" to a more convenient height.
- Perfect addition to your FlexWash™ washer or FlexDry™ dryer, providing easy access for loading and unloading.
- Meet ADA standards by simply pairing this riser with any Samsung 27" wide Front Load washer or dryer.

Available Colors



Product Dimensions & Weight (WxHxD)

Dimensions: 27" x 6¹/₈" x 29⁵/₈"
Weight: 16.8 lbs

Shipping Dimensions & Weight (WxHxD)

Dimensions: 30" x 8⁵/₁₆" x 33⁵/₁₆"
Weight: 23.6 lbs

Color

Brushed Black/
Black Stainless Steel
Champagne
White

Model

WE272NV
WE272NC
WE272NW

UPC Code

887276197630
887276393940
887276197647

Warranty

One (1) Year Parts and Labor

Actual color may vary. Design, specifications, and color availability are subject to change without notice. Non-metric weights and measurements are approximate.

©2021 Samsung Electronics America, Inc. 85 Challenger Road, Ridgefield Park, NJ 07660. Tel: 800-SAMSUNG. samsung.com. Samsung is a registered trademark of Samsung Electronics Co., Ltd.