




WF53BB8900



Bespoke 5.3 cu. ft. Ultra Capacity Front Load Washer with AI OptiWash™ and Auto Dispense



Available Colors

-  **Silver Steel**
WF53BB8900AT
-  **Brushed Navy**
WF53BB8900AD
-  **Forest Green**
WF53BB8900AG

Features

- Bespoke Design
- 5.3 cu. ft. Ultra Capacity
- AI OptiWash™
- Auto Dispense System
- Super Speed Wash
- AI Smart Dial
- MultiControl™
- ENERGY STAR® Most Efficient
- Shallow Closet-Depth Fit¹
- Flexible Installation
- Wi-Fi Connectivity²
- Steam
- Antimicrobial Technology³
- Self Clean+
- Premium Tempered Glass Door
- Vibration Reduction Technology+
- Swirl+ Drum Interior
- Internal Drum Light
- ADA Compliant⁴
- 1200 RPM Maximum Spin Speed
- Direct Drive Motor
- 25 Total Washing Cycles
- 18 Options

Specifications

25 Total Washing Cycles:

Normal, AI OptiWash, Heavy Duty, Bedding, Permanent Press, Delicates, Activewear, Wool, Towels, Eco Cold, Rinse + Spin, Self Clean+, Small Load, Colors, Spin Only, Outdoor, Denim, Super Speed, Steam Sanitize, Steam Allergen, Steam Normal, Power Steam, Steam Whites, Steam Bulky, Power Rinse

18 Additional Washing Options:

Presoak, Extra Rinse, My Cycles, Delay End, Smart Control, Super Speed, Drum Light, Dose per Wash, Dose per Rinse, Child Lock, Detergent Concentration Level, Softener Concentration Level, AI Pattern, Alarm, Calibration, Wi-Fi, Language, Factory Reset

5 Temperature Settings:

Extra Hot, Hot, Warm, Cold, Tap Cold

7 Spin Settings:

Extra High, High, Medium, Low, Extra Low, No Spin, No Drain

5 Soil Settings:

Extra Heavy, Heavy, Normal, Light, Extra Light

Warranty

Two (2) Years Parts and Labor*
Three (3) Years Stainless Tub Part (Part Only)

Washing DIT (Digital Inverter Motor) Motor Part (Part Only):

Ten (10) Years

Twenty (20) Years Limited to "U.S.-Assembled" Washers Only

*Effective for purchases made between 10/1/22 - 9/30/23; proof of purchase required.

Product Dimensions & Weight (WxHxD)

Dimensions: 27" x 38³/₄" x 34¹/₂"
Weight: 227.1 lbs

Shipping Dimensions & Weight (WxHxD)

Dimensions: 29³/₈" x 42¹⁵/₁₆" x 36¹/₄"
Weight: 233.7 lbs

Convenience

- Child Lock
- Dispenser Trays: Main Wash, Bleach, Auto Detergent, Auto Softener

Ratings



CEE Tier 3
IMEF = 3.1
IWF = 2.9
103 kWh/yr

Electrical Requirements

120 V / 60 Hz
15 Amps

| Washer | Model # | UPC Code |
|--------------|--------------|--------------|
| Silver Steel | WF53BB8900AT | 887276652269 |
| Brushed Navy | WF53BB8900AD | 887276652252 |
| Forest Green | WF53BB8900AG | 887276711881 |

Matching Electric Dryer

| | | |
|--------------|--------------|--------------|
| Silver Steel | DVE53BB8900T | 887276657264 |
| Brushed Navy | DVE53BB8900D | 887276657257 |
| Forest Green | DVE53BB8900G | 887276711645 |

Matching Gas Dryer

| | | |
|--------------|--------------|--------------|
| Silver Steel | DVG53BB8900T | 887276657325 |
| Brushed Navy | DVG53BB8900D | 887276657318 |
| Forest Green | DVG53BB8900G | 887276711669 |

| Optional Accessories | Model # | UPC Code |
|---|----------|--------------|
| Silver Steel Pedestal | WE502NT | 887276665283 |
| Brushed Navy Pedestal | WE502ND | 887276665276 |
| Forest Green Pedestal | WE502NG | 887276711676 |
| Silver Steel Bespoke Stacking and MultiControl™ Combo Kit | SKK-9MCT | 887276667379 |
| Brushed Navy Bespoke Stacking and MultiControl™ Combo Kit | SKK-9MCD | 887276667362 |
| Forest Green Bespoke Stacking and MultiControl™ Combo Kit | SKK-9MCG | 887276712819 |

¹Designed to fit a 38" installation depth.

²Requires wireless network, Samsung account and Samsung SmartThings App. The Samsung SmartThings App supports Android OS 4.0 (ICS) or later which is optimized for Samsung smartphones (Galaxy S and Galaxy Note series). This app also supports iOS 7 or later for iPhone models. Samsung SmartThings App available in App Store and Play Store.

³Antimicrobial treatment does not protect users or other items against bacteria, viruses, germs, or other disease organisms.

⁴ADA Compliant when using 27" wide riser. (Riser model codes: WE272NV, WE272NW, WE272NC)

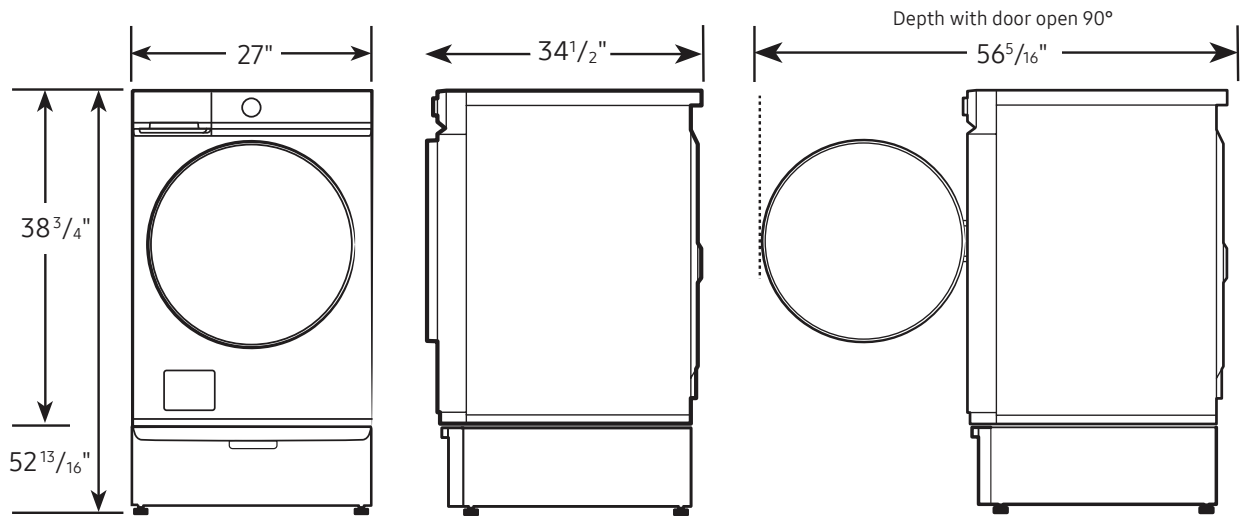
WF53BB8900

SAMSUNG

Bespoke 5.3 cu. ft. Ultra Capacity Front Load Washer with AI OptiWash™ and Auto Dispense

Dimensions

Required dimensions for installation with pedestal:

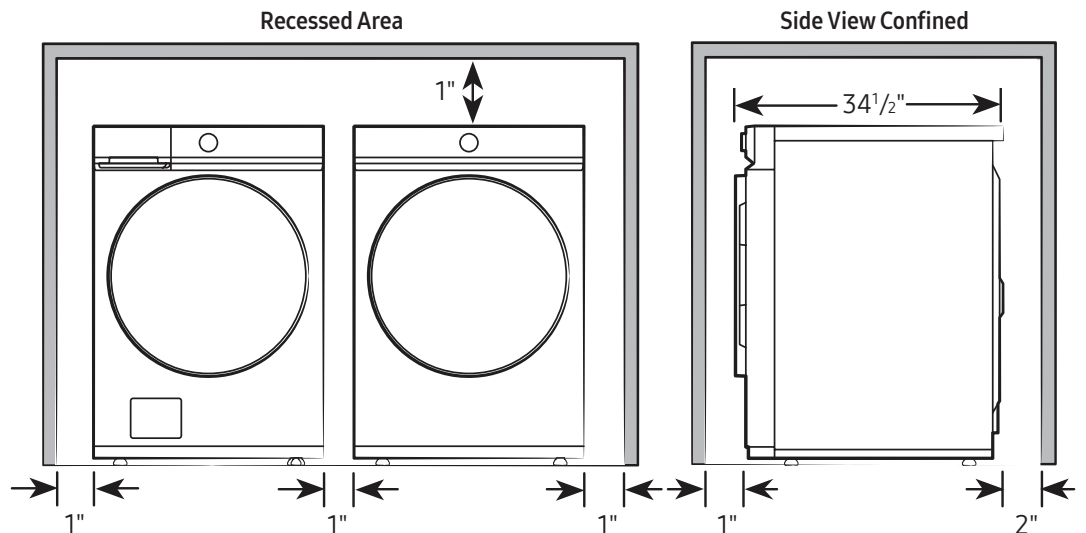


Installation Specifications – Side-by-Side

If the washer and dryer are installed together or the dryer alone, the closet front must have two unobstructed air openings for a combined minimum total area of 72-inch². Your washer alone does not require a specific air opening.

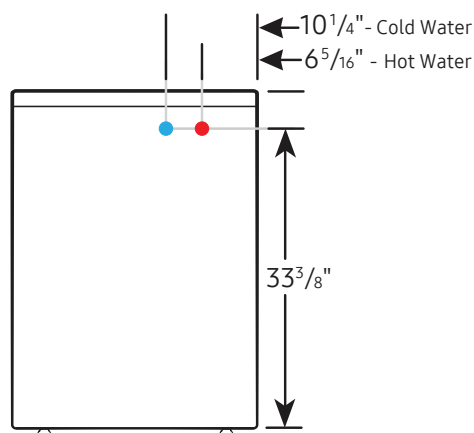
Alcove or closet installation

Minimum clearance for closet and alcove installations:



Connection Dimensions

Back view of washer



LEGEND:

- Cold Water Connection
- Hot Water Connection

Actual color may vary. Design, specifications, and color availability are subject to change without notice. Non-metric weights and measurements are approximate.

©2022 Samsung Electronics America, Inc., 85 Challenger Road, Ridgefield Park, NJ 07660. Tel: 800-SAMSUNG.samsung.com. Samsung is a registered trademark of Samsung Electronics Co., Ltd.

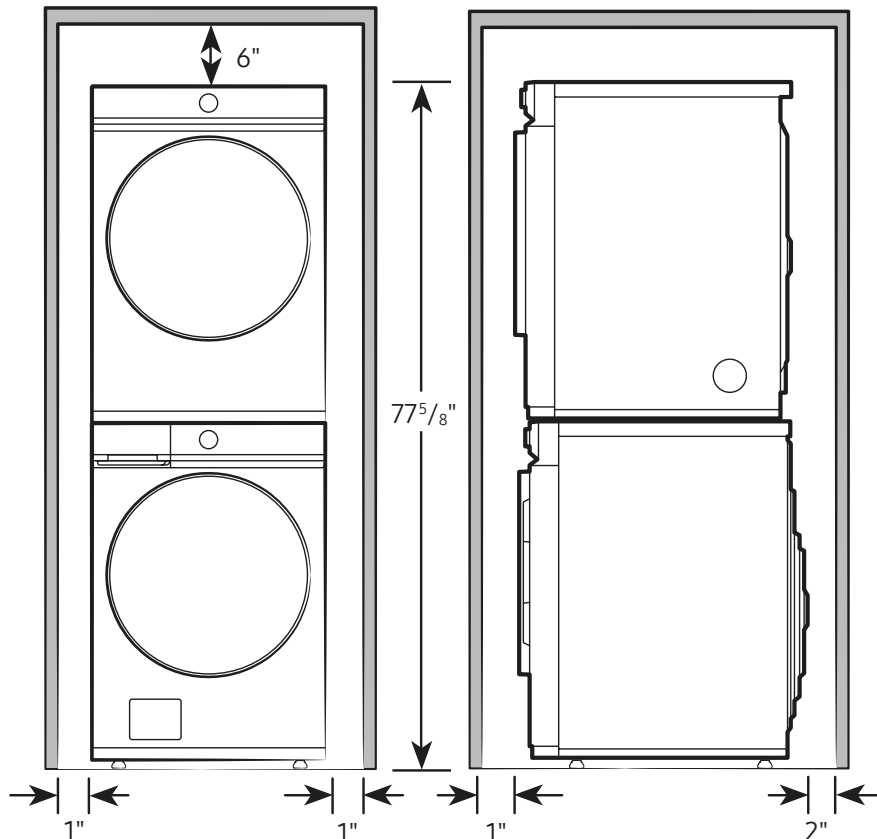
WF53BB8900

SAMSUNG

Bespoke 5.3 cu. ft. Ultra Capacity Front Load Washer with AI OptiWash™ and Auto Dispense

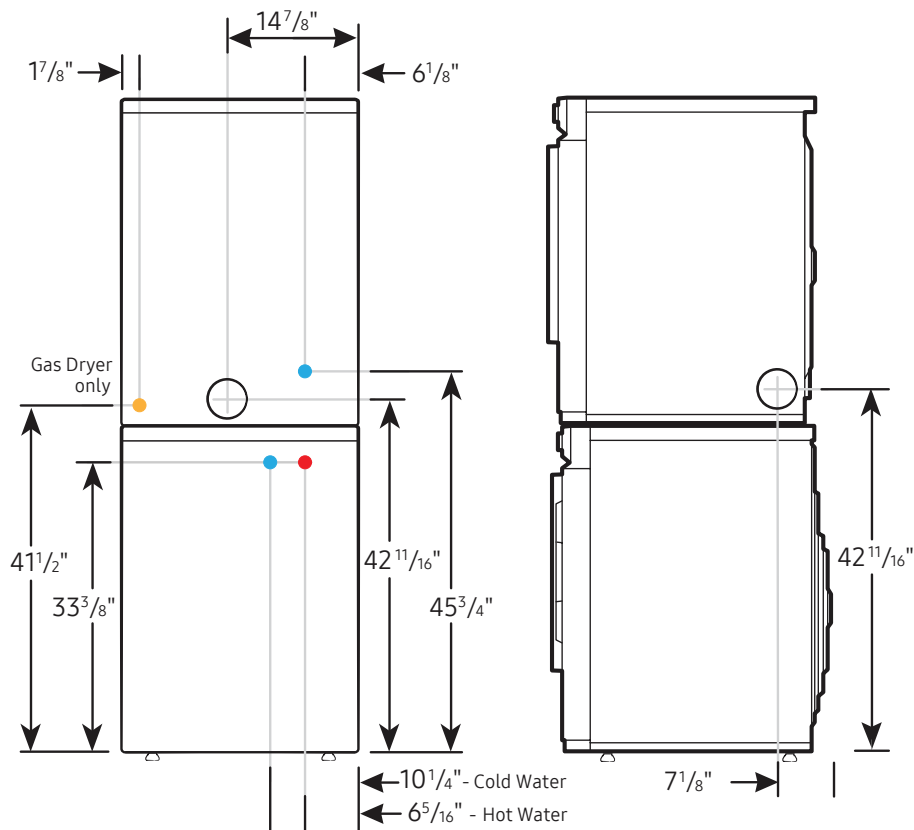
Installation Specifications – Stacked Pair

Clearances indicated are for stacked pairs. The closet front must have two unobstructed air openings for a combined minimum total area of 72-inch².



Connection Dimensions

Back and side views of stacked pair






DVG53BB8900

SAMSUNG

Bespoke 7.6 cu. ft. Ultra Capacity Gas Dryer with AI Optimal Dry and Super Speed Dry



Available Colors

-  **Silver Steel**
DVG53BB8900T
-  **Brushed Navy**
DVG53BB8900D
-  **Forest Green**
DVG53BB8900G

Features

- Bespoke Design
- AI Optimal Dry
- Super Speed Dry
- AI Smart Dial
- MultiControl™
- Steam Sanitize+
- ENERGY STAR® Certified
- Shallow Closet-Depth Fit¹
- Flexible Installation
- Wi-Fi Connectivity²
- Sensor Dry
- 7.6 cu. ft. Ultra Capacity
- Vent Sensor
- Lint Filter Indicator
- Stainless Steel Drum
- Premium Tempered Glass Door
- Internal Drum Light
- Drying Rack
- Reversible Dryer Door
- ADA Compliant³
- 20 Total Drying Cycles
- 14 Options
- 5 Temperature Settings
- 3-Way Venting

Convenience

- Child Lock
- Filter Check Indicator

Electrical Requirements

120 V / 60 Hz
15 Amps



Specifications

20 Preset Drying Cycles:

Steam Refresh, Wrinkle Away, Steam Sanitize+, AI Optimal Dry, Super Speed, Eco Normal, Delicates, Normal, Heavy Duty, Towels, Permanent Press, Activewear, Bedding, Wool, Shirts, Denim, Time Dry, Air Fluff, Small Load, Rack Dry

14 Options:

Damp Alert, Wrinkle Prevent, AntiStatic, My Cycles, Smart Monitor, Eco Dry, Drum Light, Child Lock, Alarm, AI Pattern, Wi-Fi, Language, Vent Blockage Test, Factory Reset

5 Temperature Settings:

High, Medium, Medium Low, Low, Extra Low

5 Dry Levels:

Very Dry, More Dry, Normal Dry, Less Dry, Damp Dry

Warranty

Two (2) Years Parts and Labor*

*Effective for purchases made between 10/1/22 - 9/30/23; proof of purchase required.

Product Dimensions & Weight (WxHxD)

Dimensions: 27" x 38³/₄" x 31⁷/₁₆"
Weight: 121.3 lbs

Shipping Dimensions & Weight (WxHxD)

Dimensions: 29³/₈" x 42¹⁵/₁₆" x 34¹¹/₁₆"
Weight: 130.1 lbs

| Gas Dryer | Model # | UPC Code |
|-----------------|--------------|--------------|
| Silver Steel | DVG53BB8900T | 887276657325 |
| Brushed Navy | DVG53BB8900D | 887276657318 |
| Forest Green | DVG53BB8900G | 887276711669 |
| Electric Dryer | | |
| Silver Steel | DVE53BB8900T | 887276657264 |
| Brushed Navy | DVE53BB8900D | 887276657257 |
| Forest Green | DVE53BB8900G | 887276711645 |
| Matching Washer | | |
| Silver Steel | WF53BG8900AT | 887276652269 |
| Brushed Navy | WF53BG8900AD | 887276652252 |
| Forest Green | WF53BB8900AG | 887276711881 |

| Optional Accessories | Model # | UPC Code |
|---|----------|--------------|
| Silver Steel Pedestal | WE502NT | 887276665283 |
| Brushed Navy Pedestal | WE502ND | 887276665290 |
| Forest Green Pedestal | WE502NG | 887276711676 |
| Silver Steel Bespoke Stacking and MultiControl™ Combo Kit | SKK-9MCT | 887276667379 |
| Brushed Navy Bespoke Stacking and MultiControl™ Combo Kit | SKK-9MCD | 887276667362 |
| Forest Green Bespoke Stacking and MultiControl™ Combo Kit | SKK-9MCG | 887276712819 |
| Vent Kit | DV-2A | 887276146416 |
| Gas to Propane Converter Kit | LPKIT-4 | 887276352787 |

¹Designed to fit a 38" installation depth.

²Requires wireless network, Samsung account and SmartThings App. The Samsung SmartThings App supports Android OS 4.0 (ICS) or later which is optimized for Samsung smartphones (Galaxy S and Galaxy Note series). This app also supports iOS 7 or later for iPhone models. SmartThings App available in App Store and Play Store. Only monitoring enabled on Gas Dryers for safety reasons.

³ADA Compliant when using 27" wide riser. (Riser model codes: WE272NV, WE272NW, WE272NC)

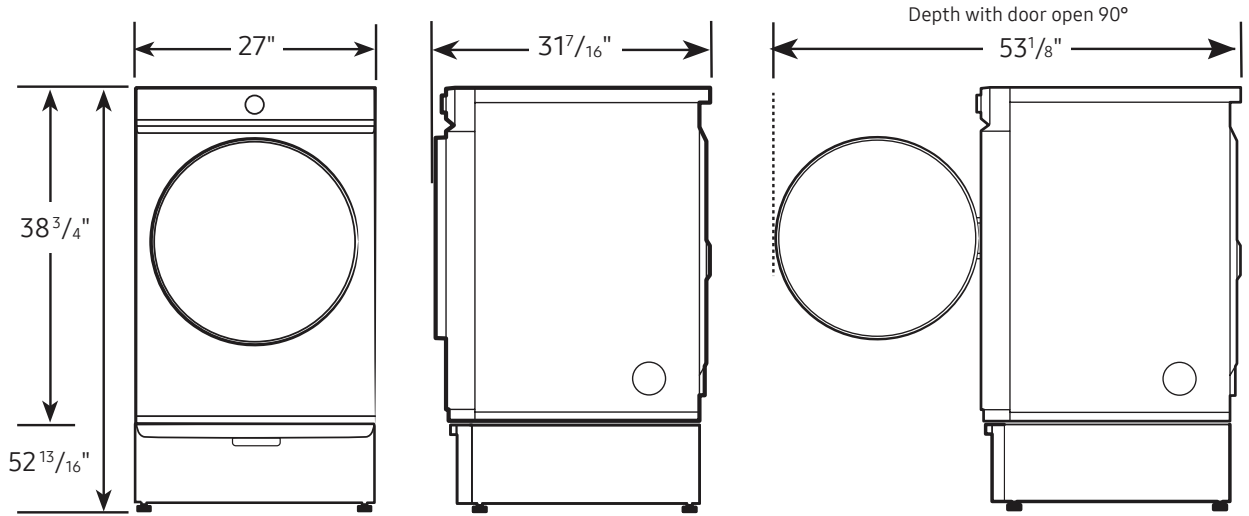
DVG53BB8900

SAMSUNG

Bespoke 7.6 cu. ft. Ultra Capacity Gas Dryer with AI Optimal Dry and Super Speed Dry

Dimensions

Required dimensions for installation with pedestal:

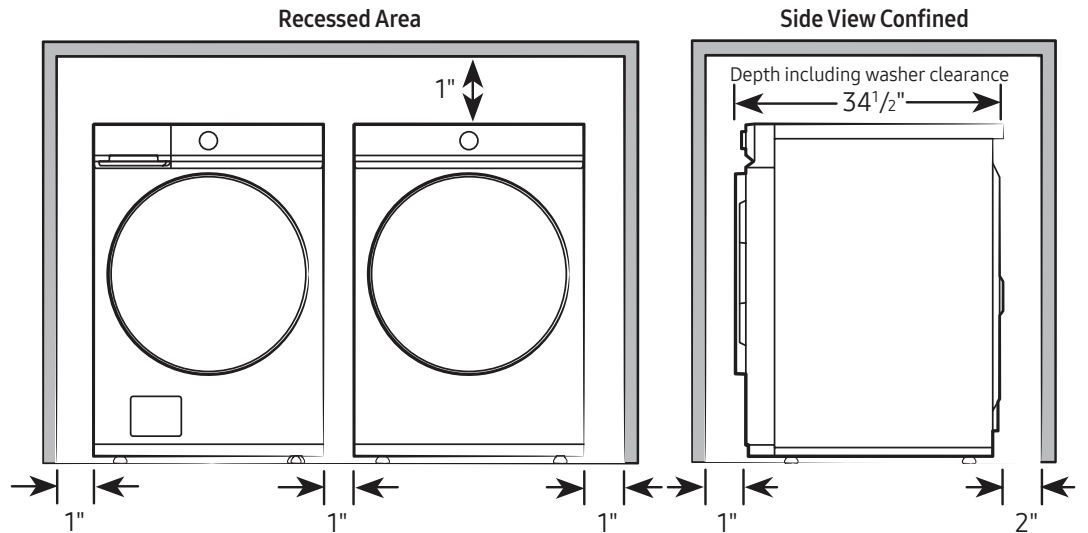


Installation Specifications – Side-by-Side

If the washer and dryer are installed together or the dryer alone, the closet front must have two unobstructed air openings for a combined minimum total area of 72-inch². Your washer alone does not require a specific air opening.

Alcove or closet installation

Minimum clearance for closet and alcove installations:



Connection Dimensions

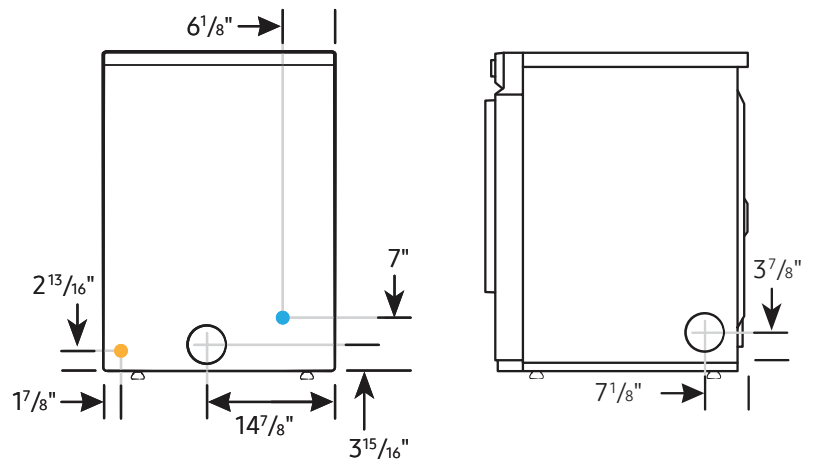
Back and side view of dryer

LEGEND:

- Cold Water Connection
- Gas Connection

Actual color may vary. Design, specifications, and color availability are subject to change without notice. Non-metric weights and measurements are approximate.

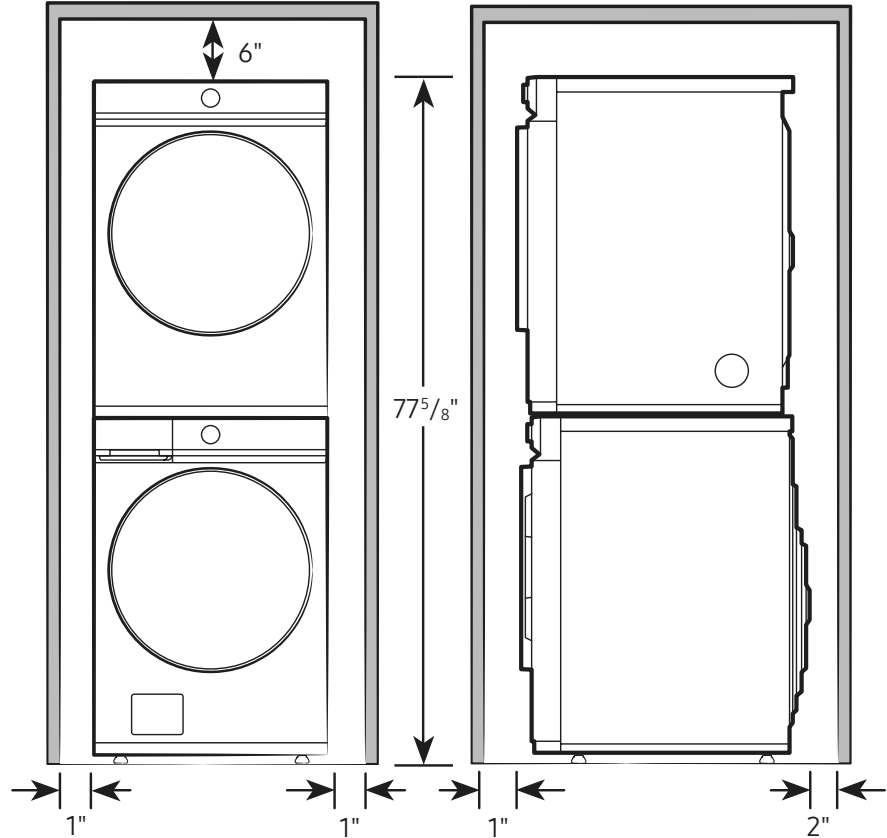
©2022 Samsung Electronics America, Inc., 85 Challenger Road, Ridgefield Park, NJ 07660. Tel: 800-SAMSUNG.samsung.com. Samsung is a registered trademark of Samsung Electronics Co., Ltd.



Bespoke 7.6 cu. ft. Ultra Capacity Gas Dryer
with AI Optimal Dry and Super Speed Dry

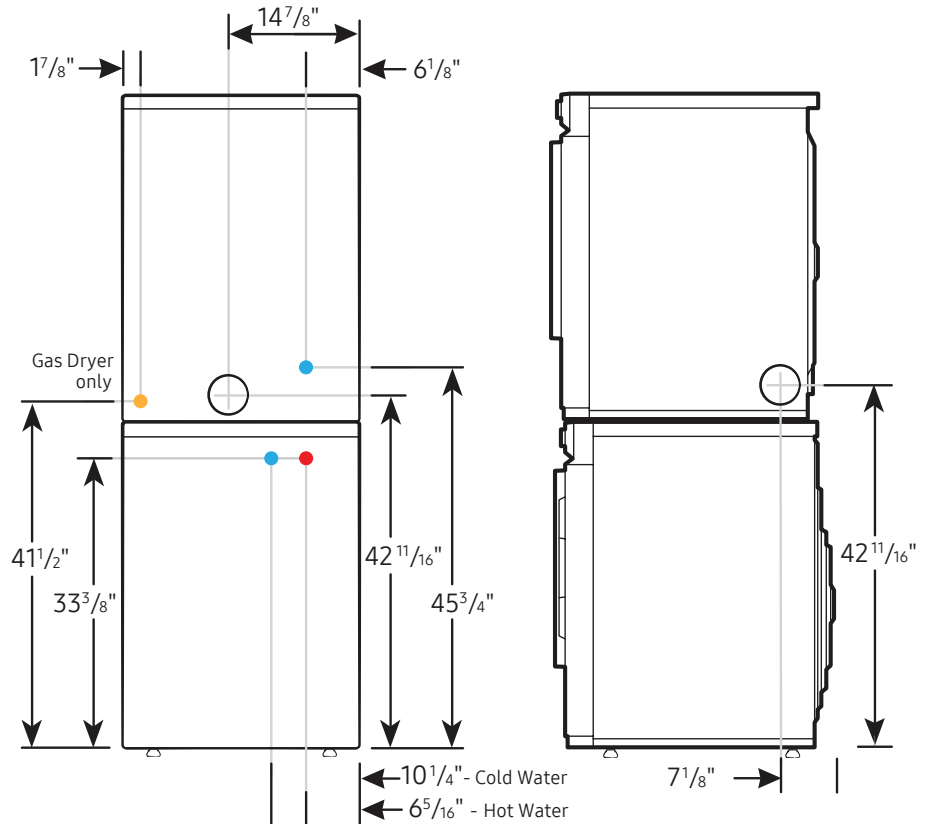
Installation Specifications – Stacked Pair

Clearances indicated are for stacked pairs. The closet front must have two unobstructed air openings for a combined minimum total area of 72-inch².



Connection Dimensions

Back and side views of stacked pair



- LEGEND:**
- Cold Water Connection
 - Hot Water Connection
 - Gas Connection

Actual color may vary. Design, specifications, and color availability are subject to change without notice. Non-metric weights and measurements are approximate.

WE502N

SAMSUNG

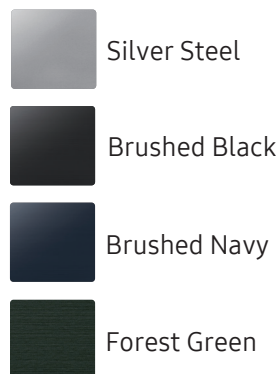
Bespoke 27" Laundry Pedestal with Storage Drawer



Signature Features:

- Beautiful, flat panel design creates a seamless, integrated look with any Bespoke laundry set.
- Compatible with Samsung Bespoke 27" wide Front Load washers and dryers.
- Elevates your washer and dryer by more than a foot, for easier loading and unloading – no more bending.
- Provides an easily accessible storage drawer for your laundry cleaning supplies.

Available Colors



Product Dimensions & Weight (WxHxD)

Dimensions: 27" x 15" x 29"

Weight: 45.9 lbs

Shipping Dimensions & Weight (WxHxD)

Dimensions: 30" x 16¹³/₁₆" x 32¹³/₁₆"

Weight: 52.7 lbs

Color

Silver Steel

Brushed Black

Brushed Navy

Forest Green

Model

WE502NT

WE502NV

WE502ND

WE502NG

UPC Code

887276665283

887276665290

887276665276

887276711676

Warranty

One (1) Year Parts and Labor

Actual color may vary. Design, specifications, and color availability are subject to change without notice. Non-metric weights and measurements are approximate.

©2022 Samsung Electronics America, Inc. 85 Challenger Road, Ridgefield Park, NJ 07660. Tel: 800-SAMSUNG. samsung.com. Samsung is a registered trademark of Samsung Electronics Co., Ltd.