

WF45T6000AW

SAMSUNG

Samsung 4.5 cu. ft. Front Load Washer with Vibration Reduction Technology+



Signature Features

4.5 cu. ft. Capacity

- Fewer loads, less time in the laundry room, and more time doing the things you love.

Vibration Reduction Technology+

- Reduces noise and vibration for extra quiet washing.

Self Clean+

- Eliminates 99% of bacterial¹ in the drum.

Available Color



White



Vibration Reduction Technology+



Self Clean+

Features

- 4.5 cu. ft. Capacity
- Vibration Reduction Technology+
- Self Clean+¹
- Smart Care²
- Swirl+ Drum Interior
- Closet-Depth Fit³
- Stackable
- UL Certified
- 1200 RPM Maximum Spin Speed
- Direct Drive Motor

- 10 Preset Washing Cycles
- 6 Additional Washing Options
- 5 Temperature Levels
- LED Display: Ice Blue
- 24-Hour Delay End

Convenience

- Child Lock
- Delay End
- Dispenser Trays: Main Wash, Softener, Bleach

Rating



ENERGY STAR[®]-rated
CEE Tier 2
IMEF = 2.95
IWF = 2.9
90 kWh/yr



ADA Compliant⁴

¹Based on testing by Intertek of the Self Clean+ cycle on the WF6000R.

²Requires Samsung Smart Washer/Dryer App. The Samsung Smart Washer/Dryer App supports Android OS 2.3.6 or later and iOS 3 or later for iPhone models. Smart Washer/Dryer app available in App Store and Play Store.

³Designed to fit a 40" installation depth.

⁴ADA Compliant when using a Samsung 27" wide riser (WE272NW, WE272NV, WE272NC).

WF45T6000AW

SAMSUNG

Samsung 4.5 cu. ft. Front Load Washer with Vibration Reduction Technology+

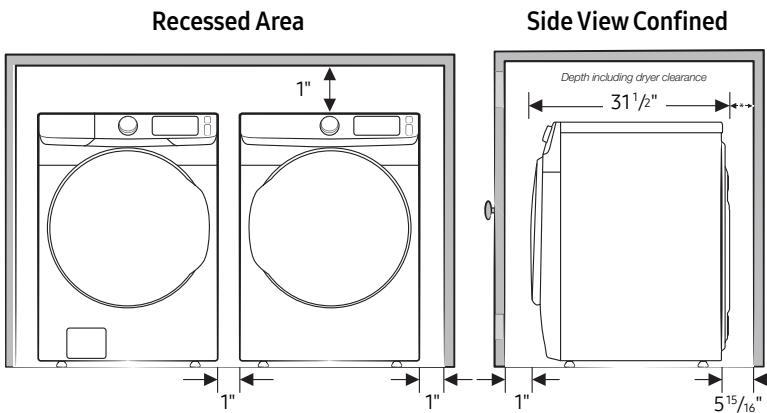
Installation Specifications

If the washer and dryer are installed together or the dryer alone, the closet front must have two unobstructed air openings for a combined minimum total area of 72-inch² (see stacked build below). Your washer alone does not require a specific air opening.

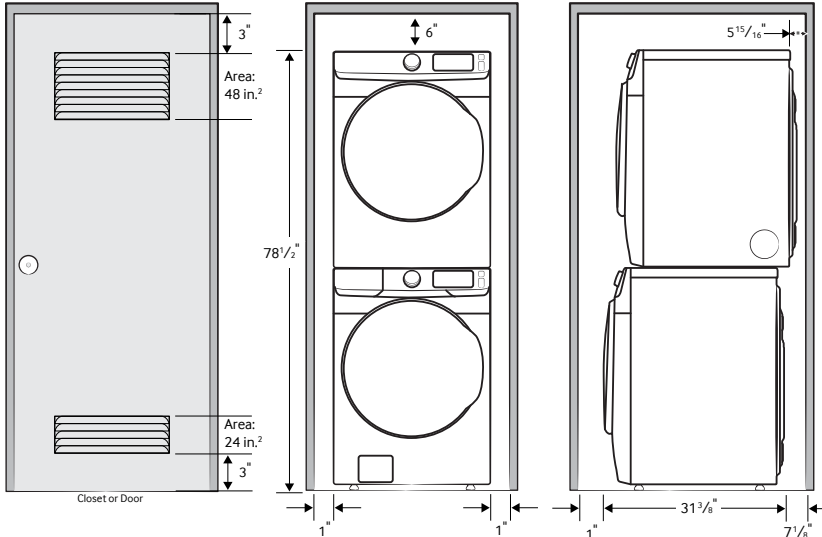
*Required spacing (External exhaust elbow may require additional space.)

1. Alcove or closet installation

Minimum Clearance for Closet and Alcove Installations:

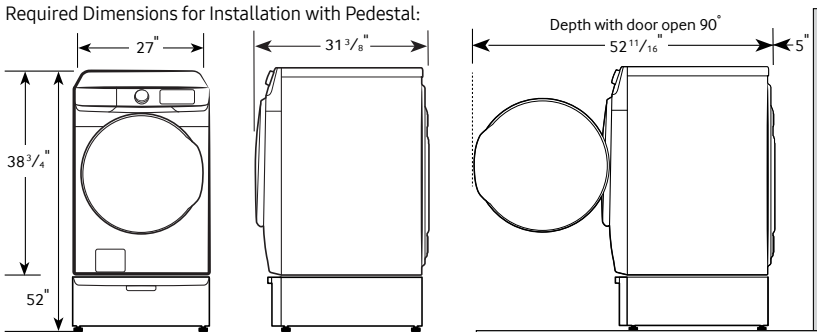


2. With stacked washer and dryer



Dimensions

Required Dimensions for Installation with Pedestal:



10 Preset Washing Cycles:

Normal, Heavy Duty, Bedding, Quick Wash, Permanent Press, Delicates, Whites, Activewear, Rinse and Spin, Self Clean+

6 Additional Washing Options:

Presoak, Delay End, Smart Care, Sound, Child Lock, Spin Only

5 Temperature Levels:

Hot, Warmer, Warm, Cool, Cold

5 Spin Speeds:

High, Medium High, Medium, Low, No Spin

5 Soil Levels:

Heavy, Medium Heavy, Normal, Medium Low, Light

Dispenser Trays:

Main Wash, Softener, Bleach

Warranty

One (1) Year Parts and Labor

Three (3) Years Stainless Steel Drum (Part Only)

Ten (10) Years Direct Drive Motor (Part Only)

Product Dimensions & Weight (WxHxD)

Dimensions: 27" x 38 3/4" x 31 3/8"

Weight: 200 lbs

Shipping Dimensions & Weight (WxHxD)

Dimensions: 29 3/8" x 42 3/8" x 34 1/8"

Weight: 205 lbs

Color	Model #	UPC Code
White	WF45T6000AW	887276394794

Matching Dryer (Electric/Gas)

White	DVE45T6000W	887276412634
White	DVG45T6000W	887276412641

Matching Long Vent Dryer (Electric/Gas)

White	DVE45T6020W	887276438153
White	DVG45T6020W	887276438160

Pedestal

White	WE402NW	887276310152
-------	---------	--------------

Riser

White	WE272NW	887276197647
-------	---------	--------------

Accessories

Stacking Kit	SKK-8K	887276344034
--------------	--------	--------------

DVE45T6000W

SAMSUNG

Samsung 7.5 cu. ft. Front Load Electric Dryer with Sensor Dry



Signature Features

Sensor Dry

- Helps prevent over drying for optimal fabric care.

7.5 cu. ft. Large Capacity

- Fewer loads, less time in the laundry room, and more time doing the things you love.

10 Preset Drying Cycles

- More cycles to cover almost every drying need for your active family.

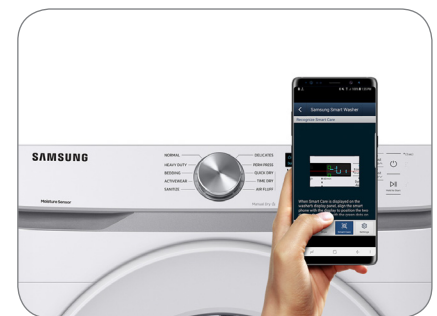
Available Color



White



Sensor Dry



Smart Care

Features

- Sensor Dry
- 7.5 cu. ft. Large Capacity
- Smart Care¹
- Interior Drum Light
- Reversible Door
- 10 Preset Drying Cycles
- 9 Additional Drying Options
- 5 Temperature Levels
- 4-Way Venting
- LED Display: Ice Blue

Convenience

- Child Lock
- Lint Filter Indicator



ADA Compliant²

Rating

644 kWh/yr

¹Requires Samsung Smart Washer/Dryer App. The Samsung Smart Washer/Dryer app supports Android OS 2.3.6 or later and iOS 3 or later for iPhone models. Smart Washer/Dryer app available in App Store and Play Store.

²ADA Compliant when using a Samsung 27" wide riser (WE272NW, WE272NV, WE272NC).

DVE45T6000W

SAMSUNG

Samsung 7.5 cu. ft. Front Load Electric Dryer with Sensor Dry

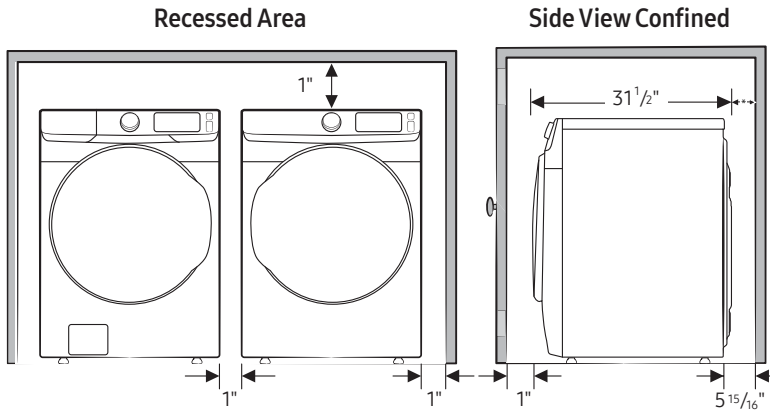
Installation Specifications

If the washer and dryer are installed together or the dryer alone, the closet front must have two unobstructed air openings for a combined minimum total area of 72-inch² (see stacked build below). Your washer alone does not require a specific air opening.

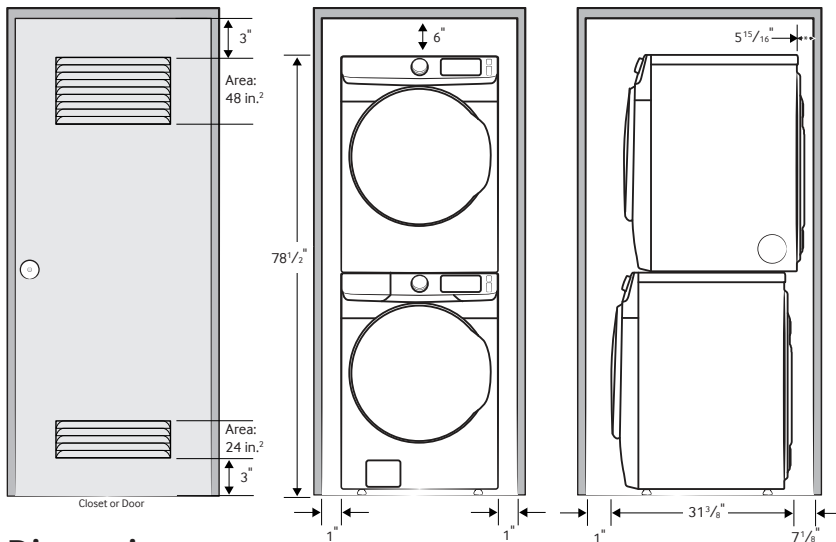
*Required spacing (External exhaust elbow may require additional space.)

1. Alcove or closet installation

Minimum Clearance for Closet and Alcove Installations:

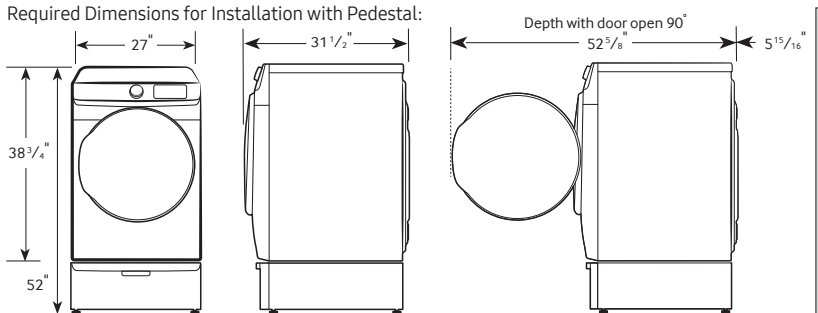


2. With stacked washer and dryer



Dimensions

Required Dimensions for Installation with Pedestal:



4-Way Venting

10 Preset Drying Cycles:

Normal, Heavy Duty, Permanent Press, Activewear, Bedding, Delicates, Sanitize, Time Dry, Air Fluff, Quick Dry

9 Additional Drying Options:

Mixed Load Bell, Wrinkle Prevent, Adjust Time (Up), Adjust Time (Down), Eco Dry, Child Lock, Smart Care, Sound, Drum Light

5 Temperature Levels:

High, Medium High, Medium, Medium Low, Low

5 Dry Levels:

Very Dry, More Dry, Normal Dry, Less Dry, Damp Dry

Warranty

One (1) Year Parts and Labor

Product Dimensions & Weight (WxHxD)

Dimensions: 27" x 38 3/4" x 31 1/2"

Weight: 123 lbs

Shipping Dimensions & Weight (WxHxD)

Dimensions: 29 3/8" x 42 9/16" x 33 1/2"

Weight: 130 lbs

Electric	Model #	UPC Code
White	DVE45T6000W	887276412634

Gas	DVG45T6000W	887276412641
-----	-------------	--------------

Long Vent Dryer (Electric/Gas)		
White	DVE45T6020W	887276438153
White	DVG45T6020W	887276438160

Matching Washer		
White	WF45T6000AW	887276394794

Pedestal	WE402NW	887276310152
----------	---------	--------------

Riser	WE272NW	887276197647
-------	---------	--------------

Accessories		
Stacking Kit	SKK-8K	887276344034
Vent Kit	DV-2A	887276146416