

WF45B6300AW | WF45B6300AC | WF45B6300AP

**SAMSUNG**

**Samsung 4.5 cu. ft. Large Capacity Smart Front Load Washer with Super Speed Wash**



**Available Colors**

-  **White**  
WF45B6300AW
-  **Champagne**  
WF45B6300AC
-  **Platinum**  
WF45B6300AP

**Features**

- Super Speed Wash
- Wi-Fi Connectivity<sup>1</sup>
- Steam
- ENERGY STAR<sup>®</sup> Most Efficient
- Large 4.5 cu. ft. Capacity
- Antimicrobial Technology
- Scratch-Resistant Tempered Glass Door
- Closet-Depth Fit<sup>2</sup>
- Vibration Reduction Technology+
- Swirl+ Drum Interior
- Self Clean+
- ADA Compliant<sup>3</sup>
- Accessibility (AUI, Braille)
- Stackable
- Internal Water Heater
- 1200 RPM Maximum Spin Speed
- Direct Drive Motor
- 23 Total Washing Cycles
- 9 Additional Washing Options

**Specifications**

**23 Total Washing Cycles:**

Normal, Heavy Duty, Bedding, Quick Wash, Delicates, Towels, Rinse + Spin, Self Clean+, Steam Sanitize, Steam Normal, Steam Whites, Downloads, Permanent Press, Activewear, Wool, Eco Cold, Colors, Outdoor, Denim, Steam Allergen, Power Steam, Steam Bulky, Power Rinse

**9 Additional Washing Options:**

Pre Soak, Steam, Delay End, Smart Control, Super Speed, Smart Care, Sound, Child Lock, Spin Only

**5 Temperature Settings:**

Hot, Warmer, Warm, Cool, Cold

**5 Spin Settings:**

High, Medium, Low, Extra Low, No Spin

**5 Soil Settings:**

Heavy, Heavy Medium, Normal, Medium Low, Light

**Warranty**

One (1) Year Parts and Labor  
Three (3) Years Stainless Steel Drum (Part Only)  
Ten (10) Years Direct Drive Motor (Part Only)

**Product Dimensions & Weight (WxHxD)**

Dimensions: 27" x 38<sup>3</sup>/<sub>4</sub>" x 31<sup>3</sup>/<sub>8</sub>"  
Weight: 200.6 lbs

**Shipping Dimensions & Weight (WxHxD)**

Dimensions: 29<sup>3</sup>/<sub>8</sub>" x 42<sup>3</sup>/<sub>8</sub>" x 34<sup>1</sup>/<sub>8</sub>"  
Weight: 205 lbs

**Convenience**

- Child Lock
- Dispenser Trays: Main Wash, Softener, Bleach

**Ratings**



CEE Tier 3  
IMEF = 3.1  
IWF = 2.9  
92 kWh/yr

**Electrical Requirements**

120 V / 60 Hz  
15 Amps

| Washer    | Model #     | UPC Code     |
|-----------|-------------|--------------|
| White     | WF45B6300AW | 887276627434 |
| Champagne | WF45B6300AC | 887276627403 |
| Platinum  | WF45B6300AP | 887276627410 |

**Matching Electric Dryer**

|           |             |              |
|-----------|-------------|--------------|
| White     | DVE45B6300W | 887276628035 |
| Champagne | DVE45B6300C | 887276628004 |
| Platinum  | DVE45B6300P | 887276628011 |

**Matching Gas Dryer**

|           |             |              |
|-----------|-------------|--------------|
| White     | DVG45B6300W | 887276628073 |
| Champagne | DVG45B6300C | 887276628042 |
| Platinum  | DVG45B6300P | 887276628059 |

| Optional Accessories | Model # | UPC Code     |
|----------------------|---------|--------------|
| White Pedestal       | WE402NW | 887276310152 |
| Champagne Pedestal   | WE402NC | 887276310121 |
| Platinum Pedestal    | WE402NP | 887276310138 |
| White Riser          | WE272NW | 887276197647 |
| Champagne Riser      | WE272NC | 887276393940 |
| Stacking Kit         | SKK-8K  | 887276344034 |

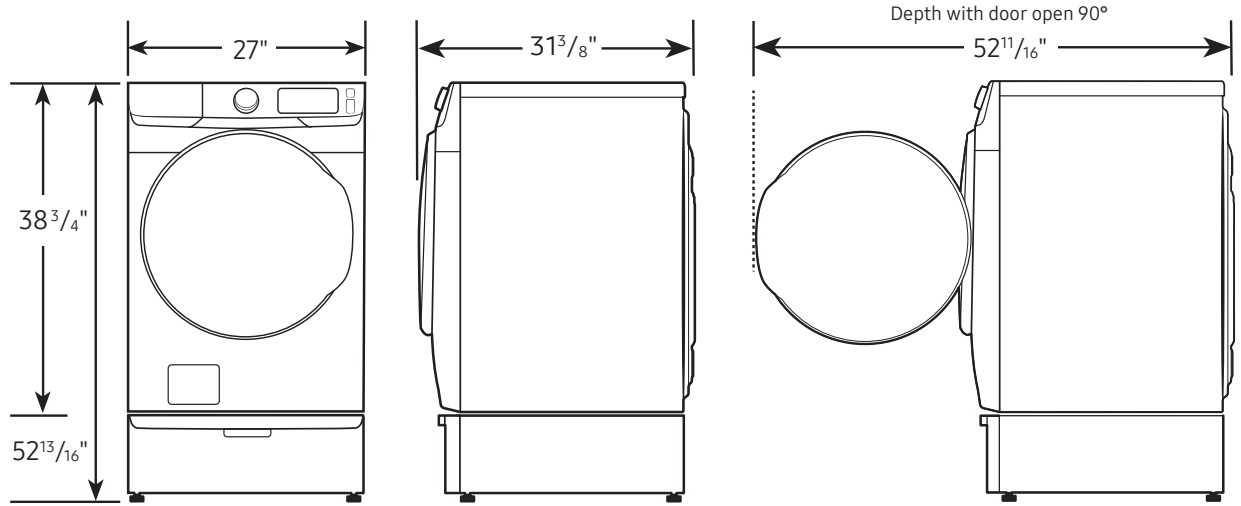
<sup>1</sup>Requires wireless network, Samsung account and Samsung SmartThings App. The Samsung Smart Things App supports Android OS 4.0 (ICS) or later, which is optimized for Samsung smartphones (Galaxy S and Galaxy Note series). This app also supports iOS 7 or later for iPhone models. Samsung SmartThings App available in App Store and Play Store.

<sup>2</sup>Designed to fit a 39" installation depth.

<sup>3</sup>ADA Compliant when using 27" wide riser. (Riser model codes: WE272NW, WE272NC)

**Samsung 4.5 cu. ft. Large Capacity Smart Front Load Washer with Super Speed Wash**

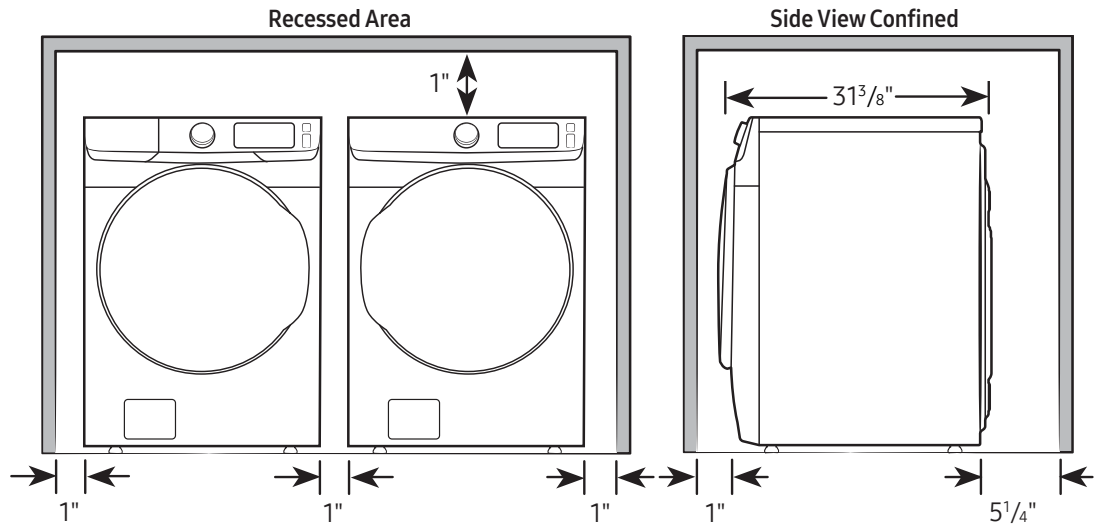
Required dimensions for installation with pedestal:



**Installation Specifications – Side-by-Side**

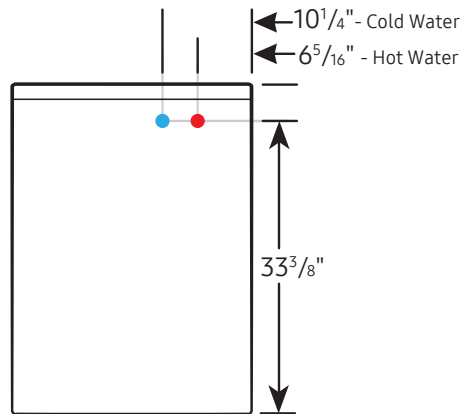
If the washer and dryer are installed together or the dryer alone, the closet front must have two unobstructed air openings for a combined minimum total area of 72-inch<sup>2</sup>. Your washer alone does not require a specific air opening.

Alcove or closet installation  
Minimum clearance for closet and alcove installations:



**Connection Dimensions**

Back view of washer



**LEGEND:**

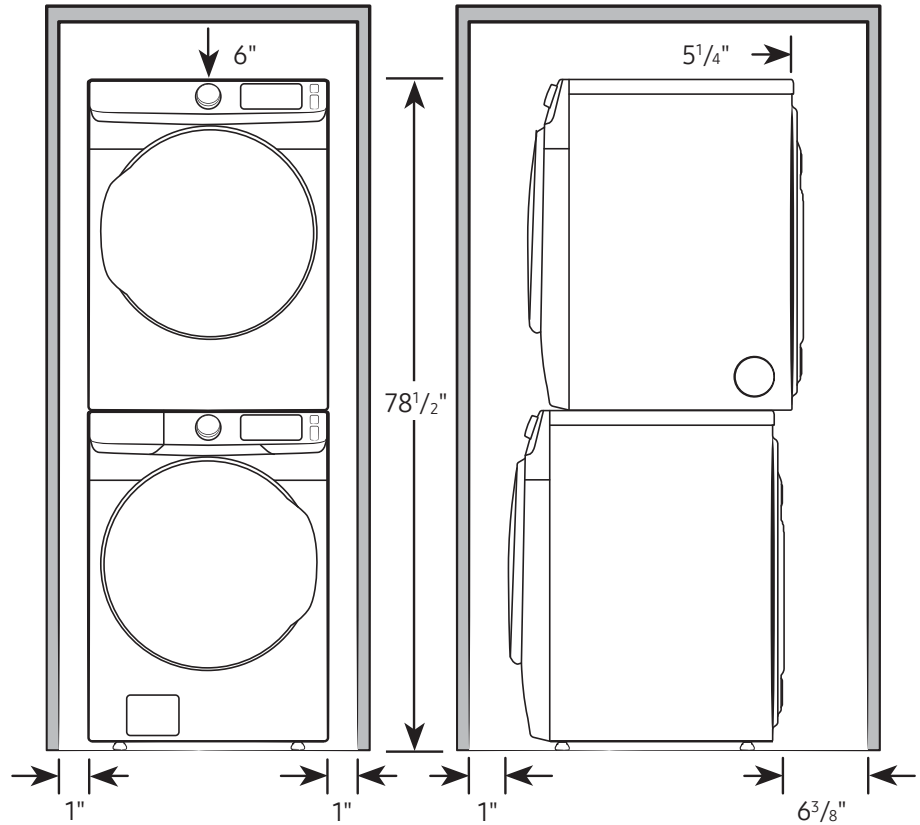
- Cold Water Connection
- Hot Water Connection

Actual color may vary. Design, specifications, and color availability are subject to change without notice. Non-metric weights and measurements are approximate.

Samsung 4.5 cu. ft. Large Capacity Smart Front Load Washer with Super Speed Wash

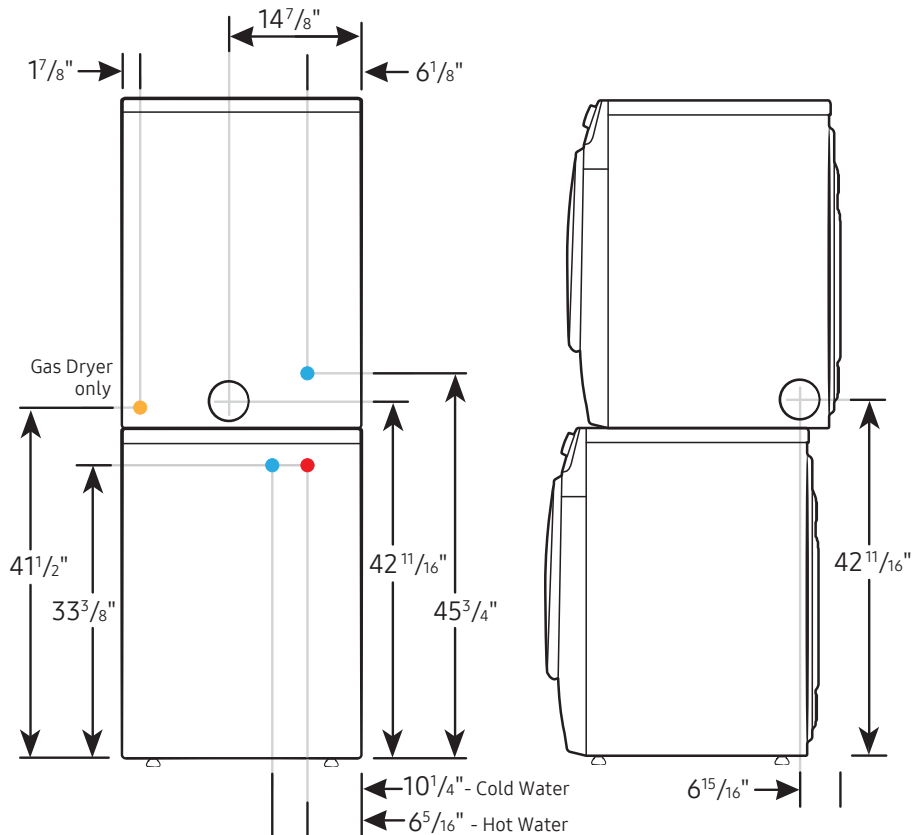
**Installation Specifications – Stacked Pair**

Clearances indicated are for stacked pairs. The closet front must have two unobstructed air openings for a combined minimum total area of 72-inch<sup>2</sup>.



**Connection Dimensions**

Back and side views of stacked pair



- LEGEND:**
- Cold Water Connection
  - Hot Water Connection
  - Gas Connection

Actual color may vary. Design, specifications, and color availability are subject to change without notice. Non-metric weights and measurements are approximate.

**Samsung 7.5 cu. ft. Smart Gas Dryer  
with Steam Sanitize+**



**Available Colors**

-  **White**  
DVG45B6300W
-  **Champagne**  
DVG45B6300C
-  **Platinum**  
DVG45B6300P

**Features**

- Wi-Fi Connectivity<sup>1</sup>
- Steam Sanitize+
- Sensor Dry
- Scratch-Resistant Tempered Glass Door
- Interior Drum Light
- Reversible Door
- Large 7.5 cu. ft. Capacity
- Lint Filter Indicator
- ADA Compliant<sup>2</sup>
- Accessibility (AUI, Braille)
- 21 Total Drying Cycles
- 10 Options
- 5 Temperature Settings
- 3-Way Venting

**Specifications**

**21 Total Drying Cycles:**

Refresh, Steam Sanitize+, Normal, Heavy Duty, Permanent Press, Activewear, Bedding, Delicates, Time Dry, Air Fluff, Quick Dry, Downloaded, Wrinkle Away, Eco Normal, Towels, Wool, Sanitize, Shirts, Denim, Low Temp, Rack Dry

**10 Options:**

Damp Alert, Wrinkle Prevent, Smart Control, Adjust Time (Up), Adjust Time (Down), Eco Dry, Sound, Drum Light, Smart Care, Child Lock

**5 Temperature Settings:**

High, Medium High, Medium, Medium Low, Low

**5 Dry Levels:**

More Dry, Normal-More Dry, Normal Dry, Normal-Less Dry, Less Dry

**Warranty**

One (1) Year Parts and Labor

**Product Dimensions & Weight (WxHxD)**

Dimensions: 27" x 38<sup>3</sup>/<sub>4</sub>" x 31<sup>5</sup>/<sub>16</sub>"

Weight: 116.8 lbs

**Shipping Dimensions & Weight (WxHxD)**

Dimensions: 29<sup>3</sup>/<sub>8</sub>" x 42<sup>9</sup>/<sub>16</sub>" x 33<sup>1</sup>/<sub>2</sub>"

Weight: 123.5 lbs

**Convenience**

- Child Lock
- Filter Check Indicator

**Electrical Requirements**

120 V / 60 Hz

15 Amps

| Gas Dryer | Model #     | UPC Code     |
|-----------|-------------|--------------|
| White     | DVG45B6300W | 887276628073 |
| Champagne | DVG45B6300C | 887276628042 |
| Platinum  | DVG45B6300P | 887276628059 |

| Electric Dryer | Model #     | UPC Code     |
|----------------|-------------|--------------|
| White          | DVE45B6300W | 887276628035 |
| Champagne      | DVE45B6300C | 887276628004 |
| Platinum       | DVE45B6300P | 887276628011 |

| Matching Washer | Model #     | UPC Code     |
|-----------------|-------------|--------------|
| White           | WF45B6300AW | 887276627434 |
| Champagne       | WF45B6300AC | 887276627403 |
| Platinum        | WF45B6300AP | 887276627410 |

| Optional Accessories         | Model # | UPC Code     |
|------------------------------|---------|--------------|
| White Pedestal               | WE402NW | 887276310152 |
| Champagne Pedestal           | WE402NC | 887276310121 |
| Platinum Pedestal            | WE402NP | 887276310138 |
| White Riser                  | WE272NW | 887276197647 |
| Champagne Riser              | WE272NC | 887276393940 |
| Stacking Kit                 | SKK-8K  | 887276344034 |
| Vent Kit                     | DV-2A   | 887276146416 |
| Gas to Propane Converter Kit | LPKIT-4 | 887276352787 |

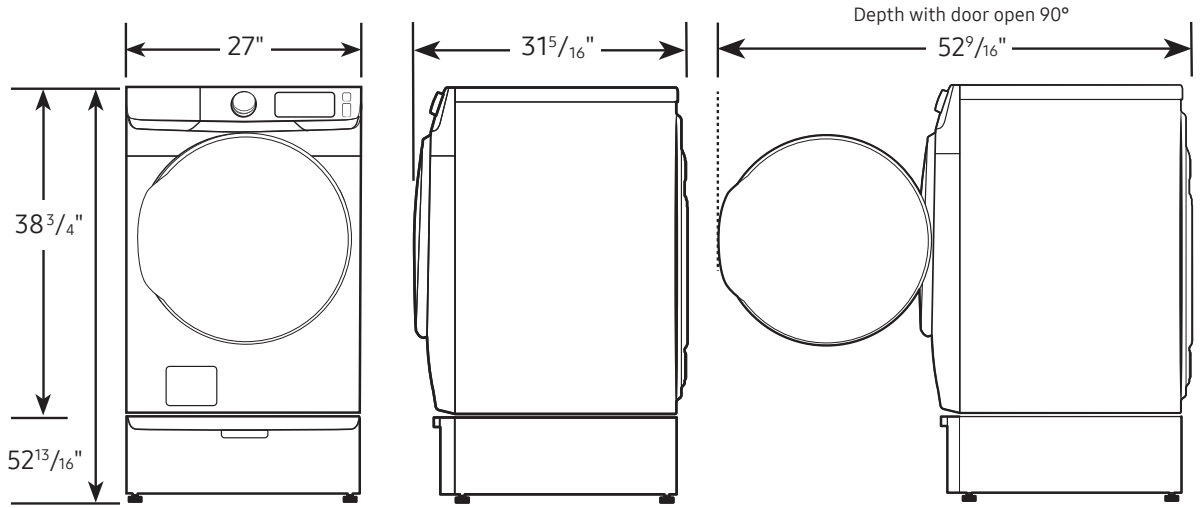
<sup>1</sup>Requires wireless network, Samsung account and Samsung SmartThings App. The Samsung SmartThings App supports Android OS 4.0 (ICS) or later, which is optimized for Samsung smartphones (Galaxy S and Galaxy Note series). This app also supports iOS 7 or later for iPhone models. Samsung SmartThings App available in App Store and Play Store.

<sup>2</sup>ADA Compliant when using 27" wide riser. (Riser model codes: WE272NW, WE272NC)

Samsung 7.5 cu. ft. Smart Gas Dryer  
with Steam Sanitize+

**Dimensions**

Required dimensions for installation with pedestal:

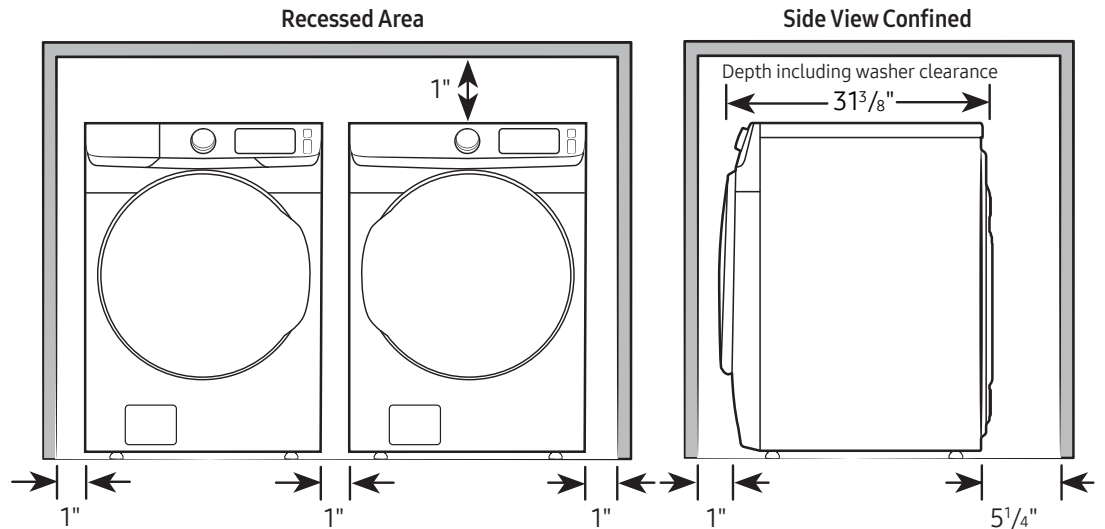


**Installation Specifications – Side-by-Side**

If the washer and dryer are installed together or the dryer alone, the closet front must have two unobstructed air openings for a combined minimum total area of 72-inch<sup>2</sup>. Your washer alone does not require a specific air opening.

Alcove or closet installation

Minimum clearance for closet and alcove installations:



**Connection Dimensions**

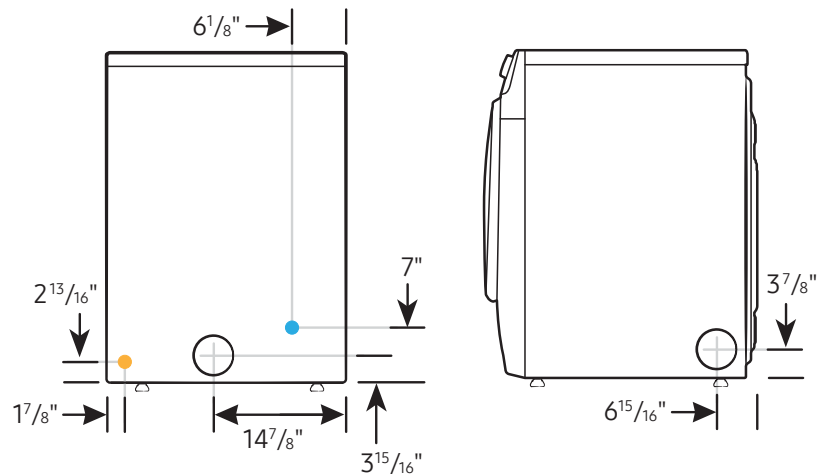
Back and side view of dryer

**LEGEND:**

- Cold Water Connection
- Gas Connection

Actual color may vary. Design, specifications, and color availability are subject to change without notice. Non-metric weights and measurements are approximate.

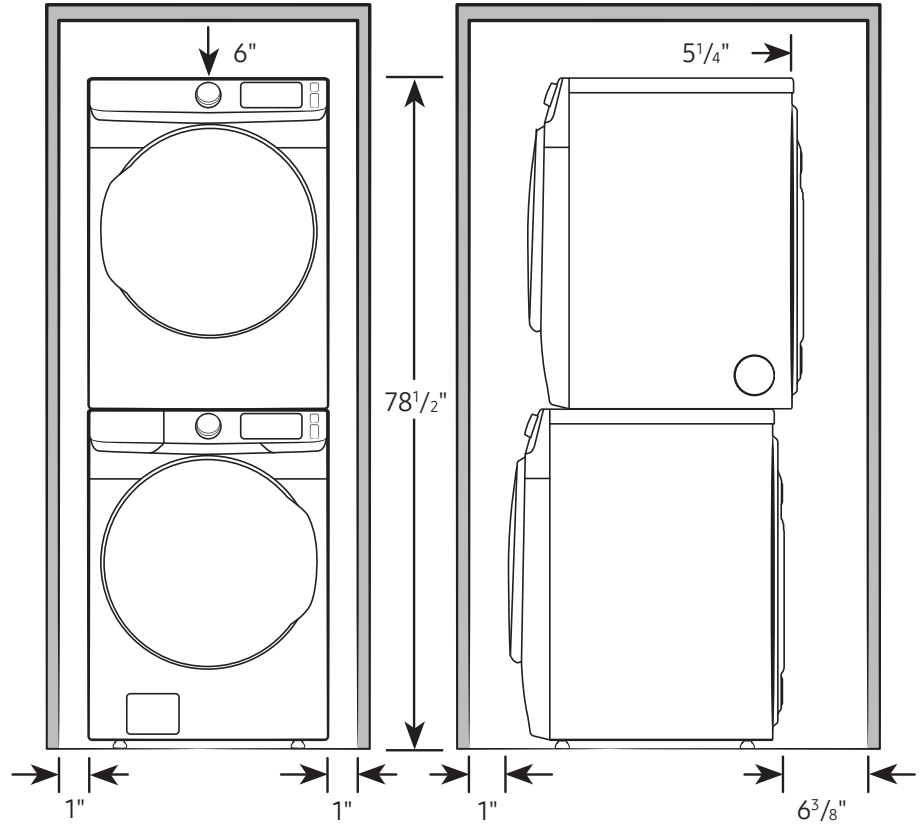
©2022 Samsung Electronics America, Inc., 85 Challenger Road, Ridgefield Park, NJ 07660. Tel: 800-SAMSUNG. samsung.com. Samsung is a registered trademark of Samsung Electronics Co., Ltd.



Samsung 7.5 cu. ft. Smart Gas Dryer  
with Steam Sanitize+

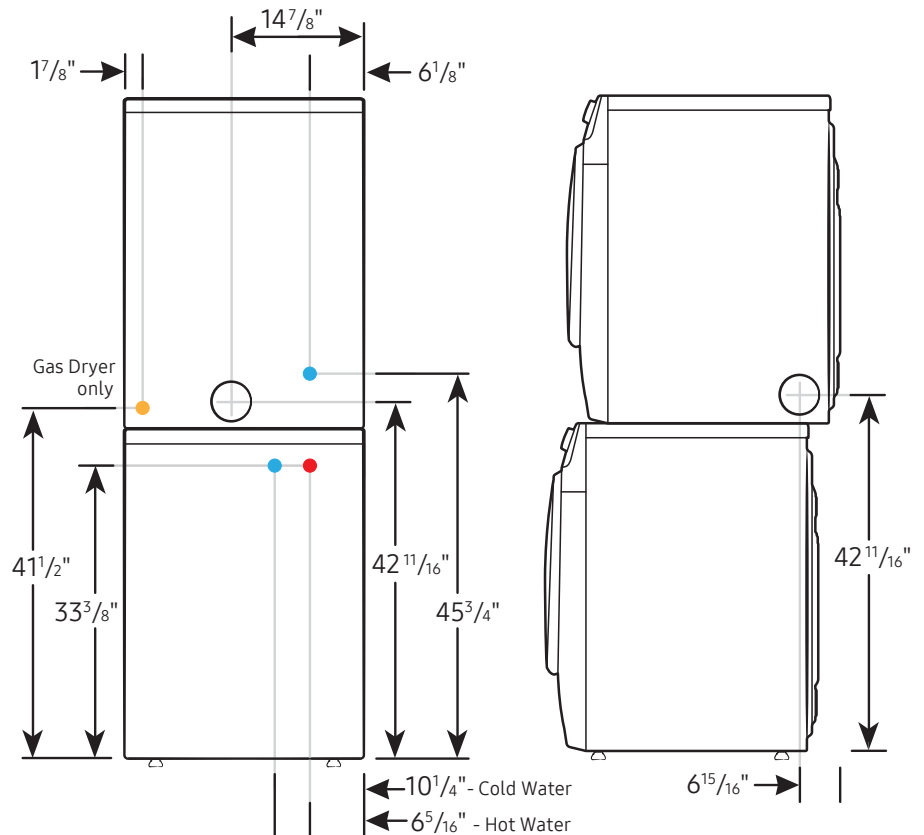
**Installation Specifications – Stacked Pair**

Clearances indicated are for stacked pairs. The closet front must have two unobstructed air openings for a combined minimum total area of 72-inch<sup>2</sup>.



**Connection Dimensions**

Back and side views of stacked pair



- LEGEND:**
- Cold Water Connection
  - Hot Water Connection
  - Gas Connection

Actual color may vary. Design, specifications, and color availability are subject to change without notice. Non-metric weights and measurements are approximate.

# WE402NV

SAMSUNG

## Samsung Front Load Pedestal



### Signature Features:

- Compatible with Samsung 27" wide Front Load washers and dryers.
- Elevates your washer and dryer by more than a foot, for easier loading and unloading – no more bending.
- Provides an easily accessible storage drawer for your laundry cleaning supplies.

### Available Colors



Brushed Black/Black  
Stainless Steel (shown)



Platinum



Champagne



Ivory



White



### Product Dimensions & Weight (WxHxD)

Dimensions: 27" x 14<sup>3</sup>/<sub>16</sub>" x 28<sup>1</sup>/<sub>8</sub>"

Weight: 36.6 lbs

### Shipping Dimensions & Weight (WxHxD)

Dimensions: 29<sup>11</sup>/<sub>16</sub>" x 15<sup>1</sup>/<sub>2</sub>" x 33"

Weight: 41 lbs

### Color

Brushed Black/Black  
Stainless Steel

Platinum

Champagne

Ivory

White

### Model #

WE402NV

WE402NP

WE402NC

WE402NE

WE402NW

### UPC Code

887276310145

887276310138

887276310121

887276529073

887276310152

### Warranty

One (1) Year Parts and Labor

Actual color may vary. Design, specifications, and color availability are subject to change without notice. Non-metric weights and measurements are approximate.

©2021 Samsung Electronics America, Inc. 85 Challenger Road, Ridgefield Park, NJ 07660. Tel: 800-SAMSUNG. samsung.com. Samsung is a registered trademark of Samsung Electronics Co., Ltd.