

**WA55A7300AE**

**SAMSUNG**

**Samsung 5.5 cu. ft. Extra-Large Capacity  
Smart Top Load Washer with Super Speed Wash**



**Available Color**



**Features**

- Extra-Large 5.5 cu. ft. Capacity
- Super Speed Wash
- Wi-Fi Connectivity\*
- Active WaterJet
- Deep Fill
- Smart Care
- Vibration Reduction Technology+
- Swirl+ Tub Interior
- Self Clean
- Soft-Close Lid
- ENERGY STAR® Certified
- Stainless Steel Pulsator
- Accessibility (AUI, Braille)
- 750 RPM Maximum Spin Speed
- Direct Drive Motor
- 17 Total Washing Cycles
- 10 Additional Washing Options

**Convenience**

- Child Lock
- Dispenser Trays: Main Wash, Softener, Bleach

**Ratings**



ENERGY STAR® Rated:  
IMEF = 2.06  
IWF = 4.3  
120 kWh/yr

**Electrical Requirements**

120 V / 60 Hz  
15 Amps

**Specifications**

**12 Preset Washing Cycles:**

Normal, Bedding/Waterproof, Heavy Duty, Colors, Whites, Activewear, Delicates, Quick Wash, Self Clean, Rinse + Spin, Deep Wash, Downloaded

**5 Downloadable Washing Cycles:**

Permanent Press, Wool, Eco Cold, Denim, Power Rinse

**10 Additional Washing Options:**

Delay End, Presoak, Sound On/Off, Child Lock, Fabric Softener, Deep Fill, Super Speed, Smart Care, Smart Control, Spin Only

**5 Temperature Settings:**

Hot, Warmer, Warm, Cool, Cold

**5 Spin Settings:**

High, Medium High, Medium, Low, No Spin

**5 Soil Settings:**

Heavy, Heavy Medium, Normal, Low Medium, Light

**Warranty**

One (1) Year Parts and Labor  
Three (3) Years Stainless Steel Tub (Part Only)  
Ten (10) Years DD Motor (Part Only)

**Product Dimensions & Weight (WxHxD)**

Dimensions: 27<sup>9</sup>/<sub>16</sub>" x 45<sup>13</sup>/<sub>16</sub>" x 29<sup>7</sup>/<sub>16</sub>"  
Weight: 134.5 lbs

**Shipping Dimensions & Weight (WxHxD)**

Dimensions: 30<sup>1</sup>/<sub>8</sub>" x 47<sup>11</sup>/<sub>16</sub>" x 31<sup>1</sup>/<sub>4</sub>"  
Weight: 143.3 lbs

| Washer                         | Model #     | UPC Code     |
|--------------------------------|-------------|--------------|
| Ivory                          | WA55A7300AE | 887276552903 |
| <b>Matching Electric Dryer</b> |             |              |
| Ivory                          | DVE55A7300E | 887276551609 |
| <b>Matching Gas Dryer</b>      |             |              |
| Ivory                          | DVG55A7300E | 887276557823 |

\*Requires wireless network, Samsung account and Samsung SmartThings App. The Samsung Smart Things App supports Android OS 4.0 (ICS) or later which is optimized for Samsung smartphones (Galaxy S and Galaxy Note series). This app also supports iOS 7 or later for iPhone models. Samsung SmartThings App available in App Store and Play Store.

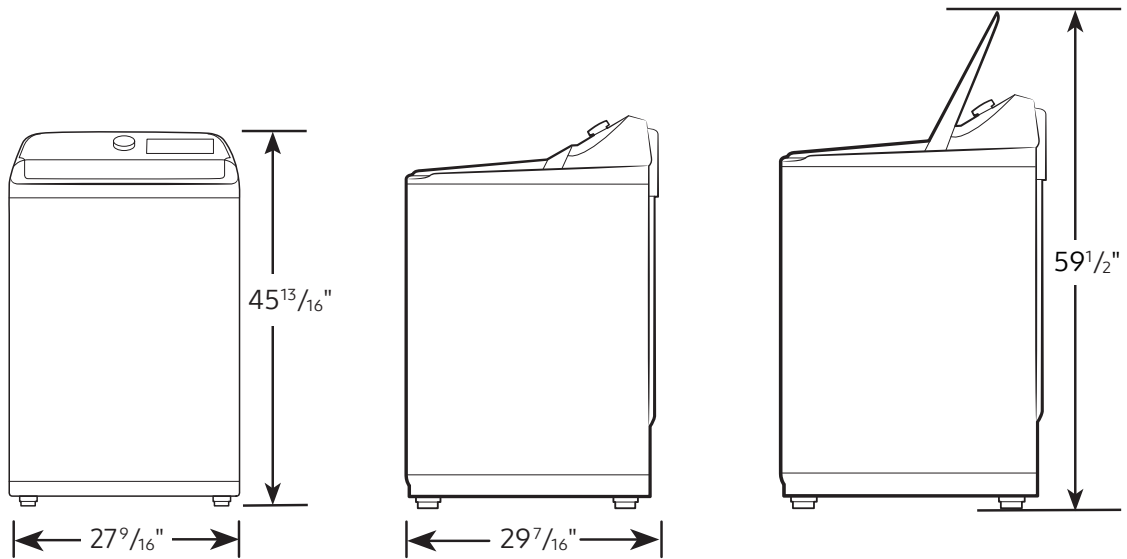
# WA55A7300AE

## Samsung 5.5 cu. ft. Extra-Large Capacity Smart Top Load Washer with Super Speed Wash

# SAMSUNG

### Dimensions

Required dimensions for installation:

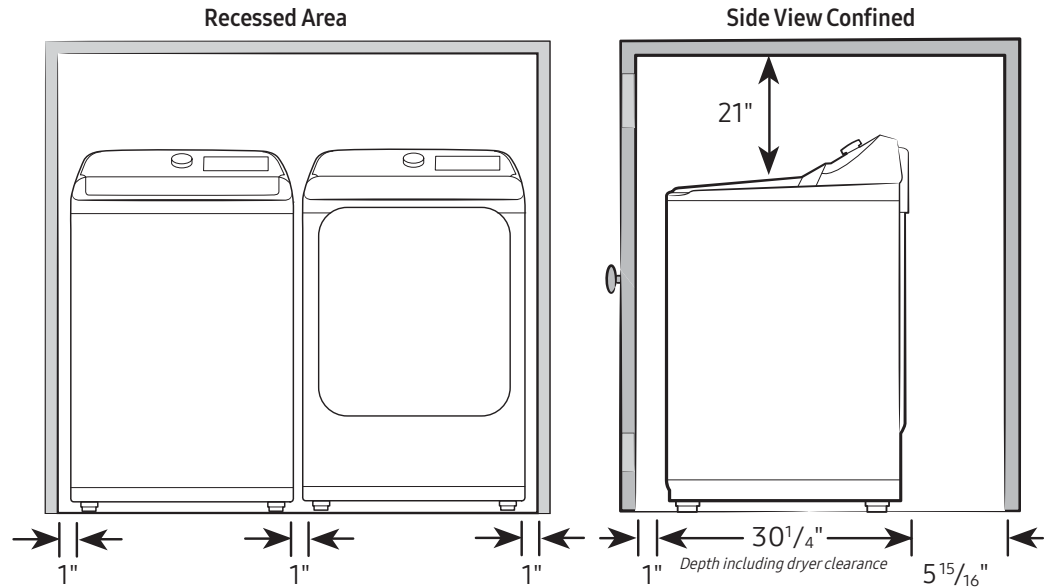


### Installation Specifications – Side-by-Side

If the washer and dryer are installed together or the dryer alone, the closet front must have two unobstructed air openings for a combined minimum total area of 72-inch<sup>2</sup>. Your washer alone does not require a specific air opening.

#### Alcove or closet installation

Minimum clearance for closet and alcove installations:

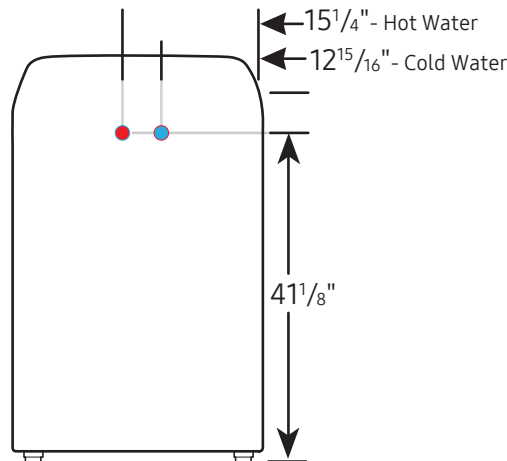


### Connection Dimensions

Back view of washer

#### LEGEND:

- Hot Water Connection
- Cold Water Connection



Actual color may vary. Design, specifications, and color availability are subject to change without notice. Non-metric weights and measurements are approximate.

©2021 Samsung Electronics America, Inc., 85 Challenger Road, Ridgefield Park, NJ 07660. Tel: 800-SAMSUNG.samsung.com. Samsung is a registered trademark of Samsung Electronics Co., Ltd.

# DVE55A7300E

## Samsung 7.4 cu. ft. Smart Electric Dryer with Steam Sanitize+

# SAMSUNG



### Available Color



Ivory  
DVE55A7300E

### Features

- Wi-Fi Connectivity\*
- Steam Sanitize+
- ENERGY STAR® Rated
- Sensor Dry
- Vent Sensor
- Smart Care
- Interior Drum Light
- Reversible Door
- Stainless Steel Drum
- Accessibility (AUI, Braille)
- Large 7.4 cu. ft. Capacity
- Lint Filter Indicator
- 18 Total Drying Cycles
- 10 Options
- 5 Temperature Settings
- 4-Way Venting

### Convenience

- Child Lock
- Lint Filter Indicator

### Rating



ENERGY STAR® Rated:  
608 kWh/yr

### Electrical Requirements

120 V / 240 V / 60 Hz  
30 Amps

### Specifications

#### 12 Preset Drying Cycles:

Refresh, Steam Sanitize+, Normal, Heavy Duty, Permanent Press, Bedding, Delicates, Activewear, Time Dry, Air Fluff, Quick Dry, Downloaded

#### 6 Downloadable Drying Cycles:

Wrinkle Away, Eco Normal, Towels, Shirts, Denim, Rack Dry

#### 10 Options:

Damp Alert, Wrinkle Prevent, Adjust Time (Up), Adjust Time (Down), Child Lock, Sound On/Off, Eco Dry, Smart Care, Drum Light, Smart Control

#### 5 Temperature Settings:

High, Medium High, Medium, Medium Low, Low

#### 5 Dry Levels:

More Dry, Normal-More Dry, Normal Dry, Normal-Less Dry, Less Dry

#### Warranty

One (1) Year Parts and Labor

#### Product Dimensions & Weight (WxHxD)

Dimensions: 27" x 45<sup>13</sup>/<sub>16</sub>" x 30<sup>1</sup>/<sub>4</sub>"  
Weight: 119.0 lbs

#### Shipping Dimensions & Weight (WxHxD)

Dimensions: 29<sup>9</sup>/<sub>16</sub>" x 48<sup>5</sup>/<sub>8</sub>" x 31<sup>3</sup>/<sub>16</sub>"  
Weight: 125.7 lbs

| Electric Dryer       | Model #     | UPC Code     |
|----------------------|-------------|--------------|
| Ivory                | DVE55A7300E | 887276551609 |
| Gas Dryer            |             |              |
| Ivory                | DVG55A7300E | 887276557823 |
| Matching Washer      |             |              |
| Ivory                | WA55A7300AE | 887276552903 |
| Optional Accessories |             |              |
| Vent Kit             | DV-2A       | 887276146416 |

\*Requires wireless network, Samsung account and Samsung SmartThings App. The Samsung Smart Things App supports Android OS 4.0 (ICS) or later which is optimized for Samsung smartphones (Galaxy S and Galaxy Note series). This app also supports iOS 7 or later for iPhone models. Samsung SmartThings App available in App Store and Play Store.

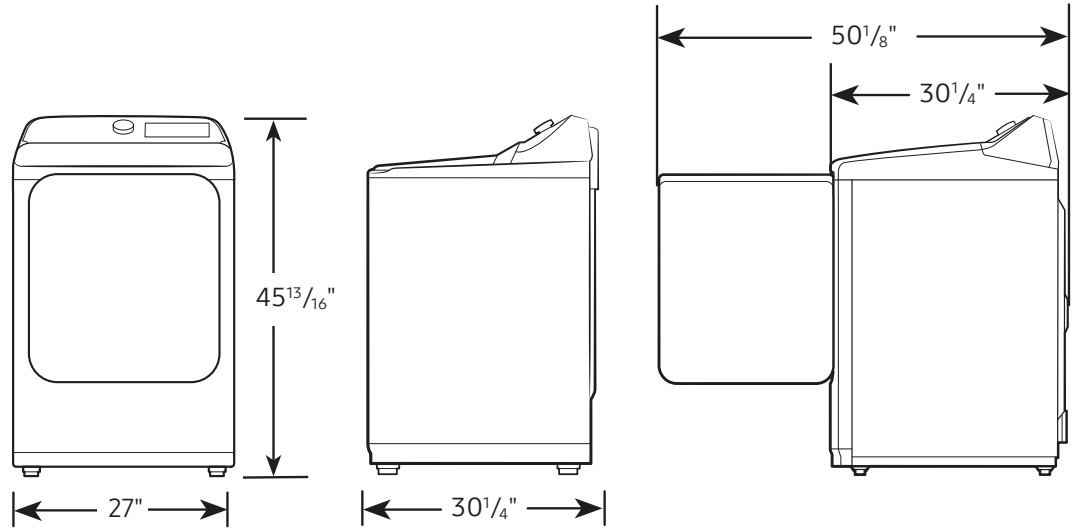
# DVE55A7300E

## Samsung 7.4 cu. ft. Smart Electric Dryer with Steam Sanitize+



### Dimensions

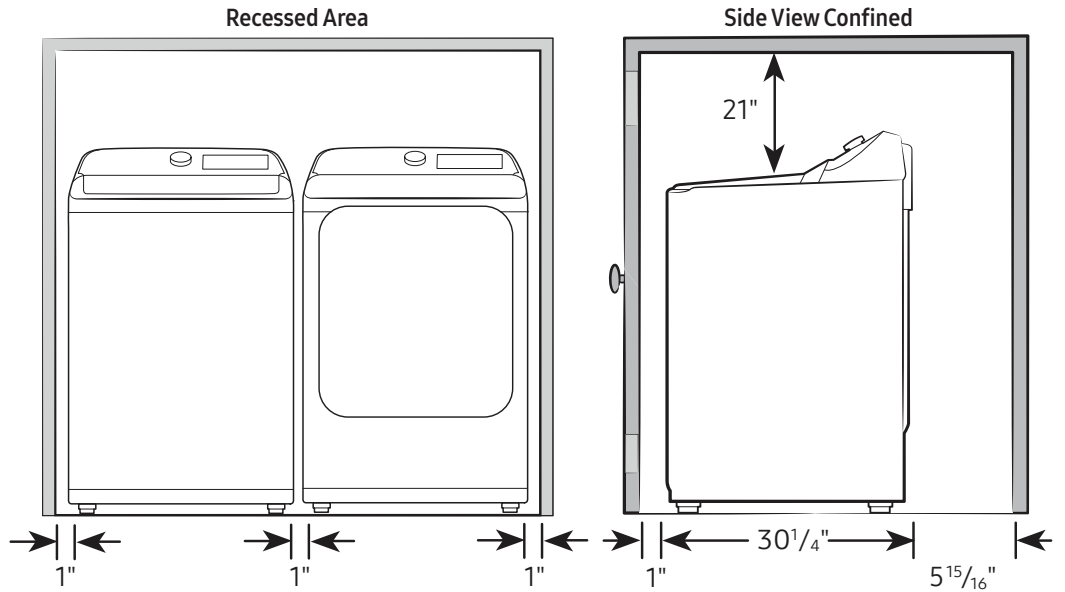
Required dimensions for installation:



### Installation Specifications – Side-by-Side

If the washer and dryer are installed together or the dryer alone, the closet front must have two unobstructed air openings for a combined minimum total area of 72-inch<sup>2</sup>. Your washer alone does not require a specific air opening.

Alcove or closet installation  
Minimum clearance for closet and alcove installations:

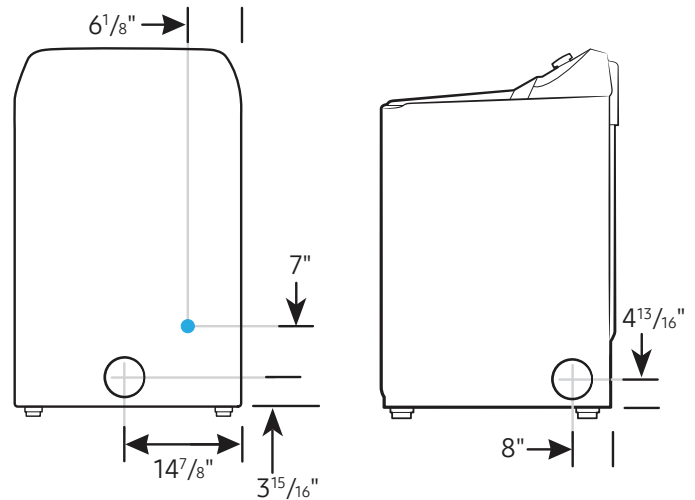


### Connection Dimensions

Back and Side View of Electric Dryer

#### LEGEND:

● Cold Water Connection



Actual color may vary. Design, specifications, and color availability are subject to change without notice. Non-metric weights and measurements are approximate.

©2021 Samsung Electronics America, Inc., 85 Challenger Road, Ridgefield Park, NJ 07660. Tel: 800-SAMSUNG.samsung.com. Samsung is a registered trademark of Samsung Electronics Co., Ltd.