

RT16A6195SR

SAMSUNG

Samsung Top Freezer Refrigerator

15.6 cu. ft. Capacity



Signature Features

All-Around Cooling

- Multi-vent technology keeps items evenly cooled on every shelf.

Reversible Door

- The reversible door makes it adjustable to any space.

Garage Ready

- Designed to withstand wide fluctuations in external temperatures from 38°F to 110°F, ideal for a garage environment.

Available Color



Stainless Steel



All-Around Cooling



Reversible Door

Performance

- All-Around Cooling
- Garage Ready
- ENERGY STAR® Compliant
- True No-Frost Technology
- LED Lighting

Design

- Reversible Door
- Optional Ice Maker
- Gallon Door Bins (2)
- Sabbath Mode

Technology



ENERGY STAR® rated:
345 kWh/yr

RT16A6195SR

SAMSUNG

Samsung Top Freezer Refrigerator

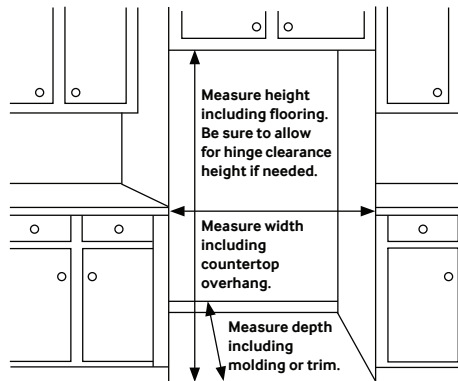
15.6 cu. ft. Capacity

Installation Specifications

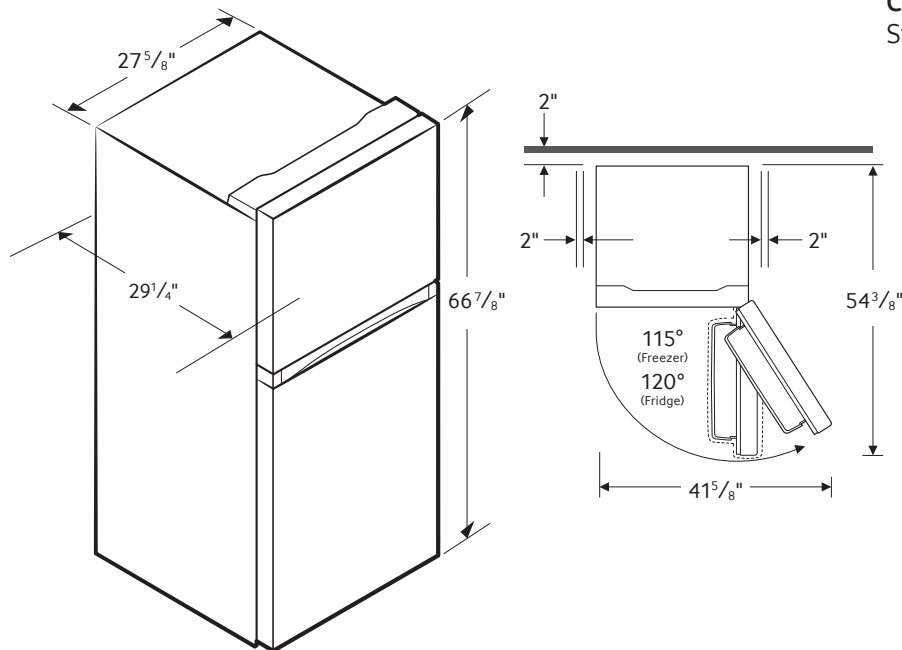
1. Measure the height, width and depth of the opening, making sure to include baseboards, molding tile, countertop overhang, etc. Check to be sure there is enough room to open the door (consider walls, islands or other obstacles when measuring).
2. Refer to illustration below to determine dimensions.
3. Allow a 2" minimum clearance on hinge side of refrigerator when installing next to a wall.
4. Allow a 2" minimum clearance at rear for proper air circulation and water/electrical connections. Allow a 2" minimum clearance at sides and top for ease of installation.
5. Ensure each door and entryway in the home is wide enough for the refrigerator to be moved through easily.

For optimal usage and ability to open refrigerator doors completely, do not install next to a wall.

Please note: The following dimension and cutout information is for planning purposes only. For complete installation details, consult manual packed with product or download manual online at samsung.com.



Dimensions



Total Capacity: 15.6 cu. ft.

Refrigerator: 11.0 cu. ft.

- 4 Tempered Glass Shelves
- 1 Crisper
- 2 Gallon Bins, 1 Regular Bin
- 2 Egg Trays
- LED Lighting

Fridge in Freezer: 4.6 cu. ft.

- 1 Tempered Glass Shelf
- 2 Regular Bins
- LED Lighting

Optional Ice Maker Available: RA-T00R63AA/AA
Samsung Quick-Connect Auto Ice Maker produces 3.3 lbs. of ice per day.

Warranty

One (1) Year Parts and Labor on Refrigerator
Five (5) Years Parts and Labor on Sealed Refrigeration System Only*
Ten (10) Years Parts and Five (5) Years Labor on Digital Inverter Compressor

*Compressor, evaporator, condenser, drier and connecting tubing.

Product Dimensions & Weight

Dimensions (WxHxD with hinges and doors):
27 5/8" x 66 7/8" x 29 1/4"

Weight: 153.0 lbs

Shipping Dimensions & Weight (WxHxD)

Dimensions: 28 3/4" x 70 1/4" x 30 1/8"

Weight: 158.0 lbs

Color

Stainless Steel

Model

RT16A6195SR

UPC Code

887276551401