

# DVE45R6100C

SAMSUNG

## Samsung Front Load Electric Dryer with Steam Sanitize+

7.5 cu. ft. Capacity DOE



### Signature Features

#### Steam Sanitize+

- The Steam Sanitize+ cycle removes 99.9% of germs and bacteria, over 95% of pollen, and kills 100% of dust mites<sup>1</sup>. Multi-Steam Technology steams away wrinkles, odors, and static.

#### Sensor Dry

- Automatically optimizes the time and temperature of your drying cycle to protect your clothes from heat damage, while avoiding excess energy use.

#### Smart Care

- Easy troubleshooting from the convenience of your smartphone<sup>2</sup>. Smart Care interacts with your washer and dryer to perform an immediate diagnosis and offer quick solutions.

### Available Colors



Champagne (shown)



White



Steam Sanitize+



Sensor Dry

### Features

- Steam Sanitize+
- Sensor Dry
- Smart Care
- Interior Drum Light
- 10 Preset Drying Cycles
- 9 Additional Drying Options
- 5 Temperature Levels
- 4-Way Venting
- Reversible Tinted Door
- LED Display: Ice Blue

### Convenience

- Child Lock
- Lint Filter Indicator



ADA Compliant<sup>3</sup>

### Rating

644 kWh/yr

<sup>1</sup>Based on internal testing and independently verified by Intertek. Individual results may vary.

<sup>2</sup>Requires Samsung Smart Washer/Dryer App. The Samsung Smart Washer/Dryer app supports Android OS 2.3.6 or later and iOS 3 or later for iPhone models. Smart Washer/Dryer app available in App Store and Play Store.

<sup>3</sup>ADA Compliant when using a Samsung 27" wide riser (WE272NV or WE272NW).

# DVE45R6100C

# SAMSUNG

## Samsung Front Load Electric Dryer with Steam Sanitize+

7.5 cu. ft. Capacity DOE

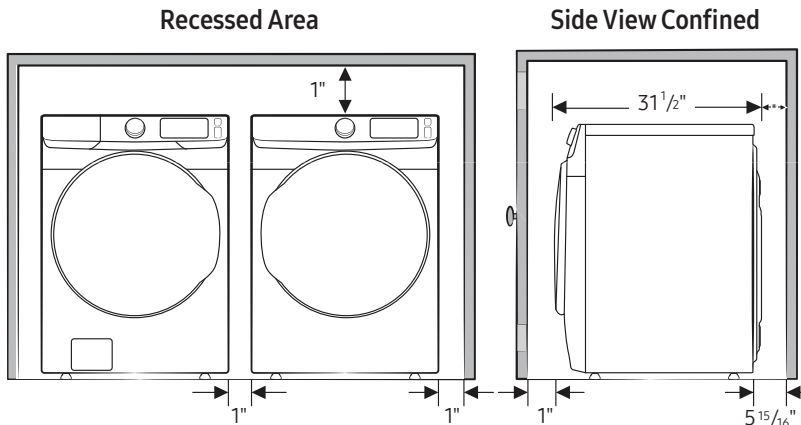
### Installation Specifications

If the washer and dryer are installed together or the dryer alone, the closet front must have two unobstructed air openings for a combined minimum total area of 72-inch<sup>2</sup> (see stacked build below). Your washer alone does not require a specific air opening.

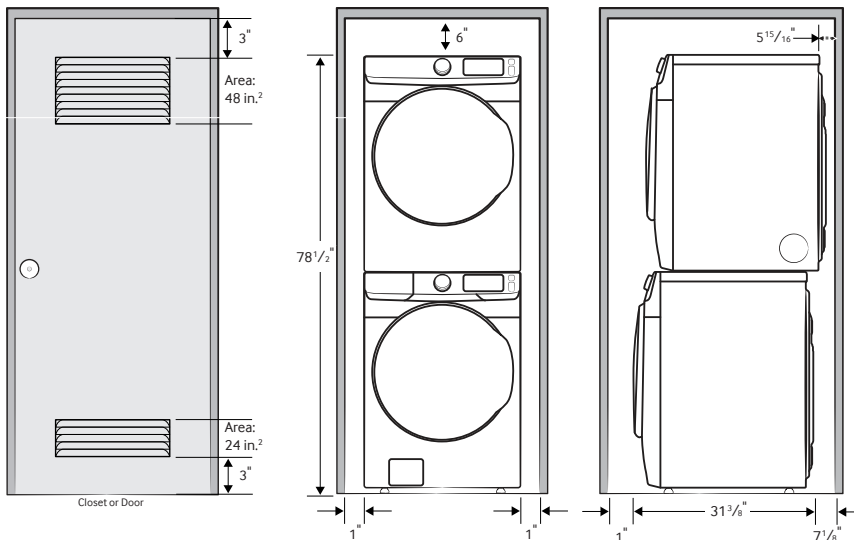
\*Required spacing (External exhaust elbow may require additional space.)

#### 1. Alcove or closet installation

Minimum Clearance for Closet and Alcove Installations:

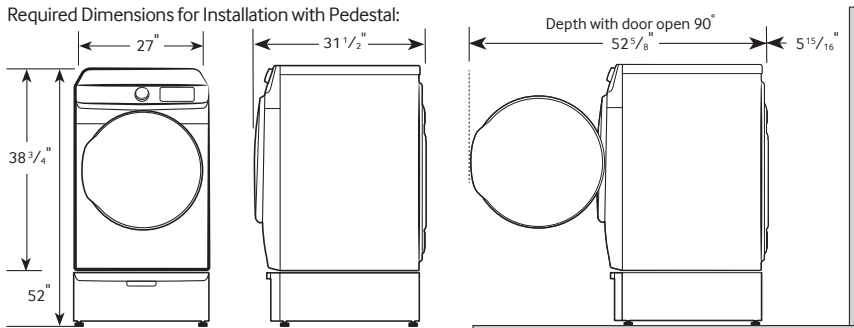


#### 2. With stacked washer and dryer



### Dimensions

Required Dimensions for Installation with Pedestal:



#### 4-Way Venting

#### 10 Preset Drying Cycles:

Refresh, Steam Sanitize+, Normal, Heavy Duty, Permanent Press, Bedding, Delicates, Time Dry, Air Fluff, Quick Dry

#### 9 Additional Drying Options:

Damp Alert, Wrinkle Prevent, Adjust Time (Up), Adjust Time (Down), Eco Dry, Child Lock, Smart Care, Alarm Off, Drum Light

#### 5 Temperature Levels:

High, Medium High, Medium, Medium Low, Low

#### 5 Dry Levels:

More Dry, Normal-More Dry, Normal Dry, Normal-Less Dry, Less Dry

#### Warranty

One (1) Year Parts and Labor

#### Product Dimensions & Weight (WxHxD)

Dimensions: 27" x 38<sup>3</sup>/<sub>4</sub>" x 31<sup>1</sup>/<sub>2</sub>"

Weight: 123 lbs

#### Shipping Dimensions & Weight (WxHxD)

Dimensions: 29<sup>3</sup>/<sub>8</sub>" x 42<sup>9</sup>/<sub>16</sub>" x 33<sup>1</sup>/<sub>2</sub>"

Weight: 130 lbs

#### Electric

Model #	UPC Code
DVE45R6100C	887276305943
DVE45R6100W	887276300450

#### Gas

Model #	UPC Code
DVG45R6100C	887276305271
DVG45R6100W	887276300498

#### Matching Washer

Model #	UPC Code
WF45R6100AC	887276305295
WF45R6100AW	887276299471

#### Pedestal

Model #	UPC Code
WE402NC	887276310121
WE402NW	887276310152

#### Accessories

Accessories	Model #	UPC Code
Stacking Kit	SKK-7A	887276146423
Vent Kit	DV-2A	887276146416