

DW80M2020US

SAMSUNG

Samsung Dishwasher



Signature Features

Stainless Steel Interior Door

- The interior door is covered with stainless steel that's more durable, hygienic, and quieter.*

Height-Adjustable Upper Rack

- Easily fit dish ware of various shapes and sizes.

Digital Water Leakage Sensor

- Identifies leaks as small as 2.4 ounces and shuts itself off before water can escape.

*Than similar competitors models.

Available Color



Stainless Steel



Stainless Steel Interior Door



Height-Adjustable Upper Rack

Features

- Fully Integrated Top Control
- Advanced Wash System
- ENERGY STAR® rated: 249 kWh/Year
- Touch Control
- 4 Wash Cycles
- 5 Options
- 14 Place Settings

Convenience

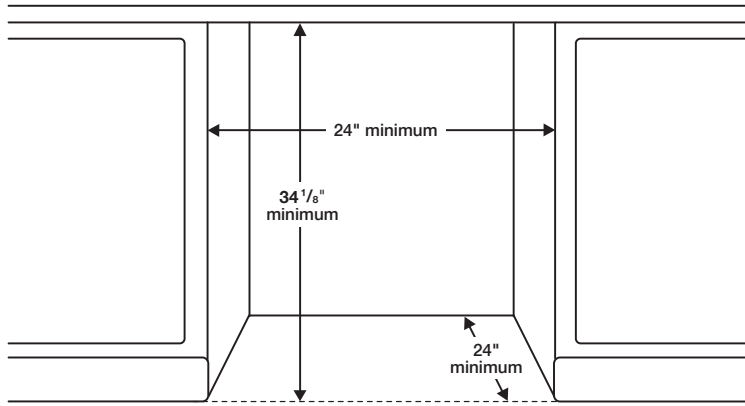
- Child Lock
- Delay Start
- Height-Adjustable Upper Rack

DW80M2020US

SAMSUNG

Samsung Dishwasher

Installation Specifications



Features

- 4 Wash Cycles: Auto, Normal, Heavy, Express 60
- 5 Options: Hi-Temp Wash, Sanitize (Anti-bacterial – NSF), Delay Start, Child Lock, Heated Dry

Convenience

- Child Lock
- Digital Water Leakage Sensor
- Height-Adjustable Upper Rack
- Polypropylene Racking
- Upper Rack: 2 Cup Shelves
- Silverware Basket

Warranty

One (1) Year All Parts and Labor

Five (5) Year Limited on Printed Circuit Board and Interior Nylon Racks

Product Dimensions & Weight (WxHxD)

Dimensions:

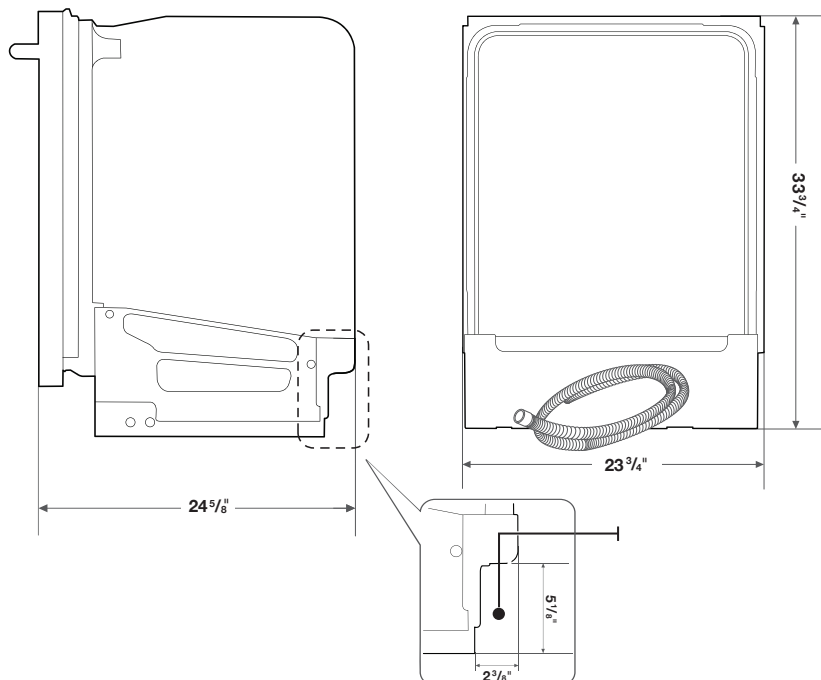
23 3/4" x 33 3/4" x 24 5/8"

Weight: 62.9 lbs.

Dimensions

Side View

Rear View



Shipping Dimensions & Weight (WxHxD)

Dimensions:

26 1/2" x 35" x 29 1/2"

Weight: 78 lbs.

Color

Stainless Steel

Model

DW80M2020US

UPC Code

887276196381