

# RF26HFENDSR

26 cu. ft. French Door Refrigerator

## Features

- Large Capacity – 26 cu. ft.\*
- High-Efficiency LED Lighting
- Twin Cooling Plus™
- Filtered Ice Maker in the Freezer
- Power Freeze and Power Cool Options
- Two Humidity-Controlled Crispers
- Tempered Glass Spill-Proof Shelves
- Gallon Door Bins
- EZ-Open Handle™ on Freezer Door
- Auto Pull-Out Upper Freezer Drawer

\*25.5 cu. ft. measured as per Department of Energy.

## Convenience

- Cool Tight Door
- Door Alarm
- Removable Ice Caddy



**ENERGY STAR® Rated:**  
620 kWh/yr



Twin Cooling Plus™



Automatic Filtered Ice Maker in the Freezer

## Available Color



Stainless Steel

## Signature Features

### TWIN COOLING PLUS™

- Refrigerator air is kept at higher, near-commercial grade humidity levels to keep perishable fruits and vegetables fresher longer.
- Drier freezer air means less freezer burn for better-tasting frozen foods.

### FILTERED ICE MAKER IN FREEZER

- Conveniently located in the freezer, Samsung's ice maker provides filtered ice cubes.

### HIGH-EFFICIENCY LED LIGHTING

- High-efficiency design beautifully lights up the interior so you're able to quickly spot what you want.
- Sleek design saves more space than traditional incandescent light bulbs.



Ranked **"Highest in customer satisfaction with French Door refrigerators, in a tie."\***

—J.D. Power

**SAMSUNG**

# RF26HFENDSR

## 26 cu. ft. French Door Refrigerator

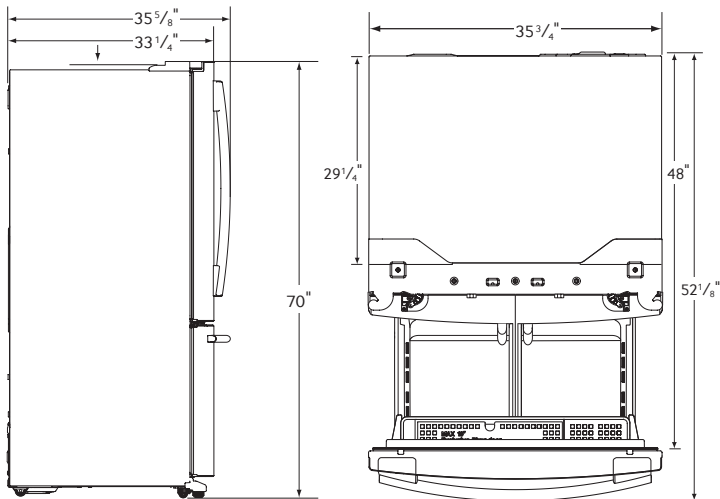
### Installing Your Refrigerator

1. Measure the height, width and depth of the opening, making sure to include baseboards, molding tile, countertop overhang, etc. Check to be sure there is enough room to open the door (consider walls, islands or other obstacles when measuring).
2. Refer to illustration below to determine dimensions.
3. Allow 2" of clearance on hinge side of refrigerator when installing next to a wall where handle may make contact.
4. Allow 1" minimum clearance at rear for proper air circulation and water/electrical connections. Allow a 3/8" minimum clearance at sides and top for ease of installation.
5. Ensure each door and entry way in the home is wide enough for the refrigerator to be moved through easily.

Please note: The following dimension and cutout information is for planning purposes only. For complete installation details consult manual packed with product, or download manual on-line at [samsung.com](http://samsung.com).



### Dimensions



### Total Capacity: 25.5 cu. ft.

#### Refrigerator: 17.6 cu. ft.

- 2 Humidity-Controlled Crispers
- 5 Tempered Glass Spill-Proof Shelves
- 6 Opaque Door Bins
  - Right Door: 3 Gallon Bins
  - Left Door: 3 Gallon Bins
- High-Efficiency LED Lighting

#### Freezer: 7.9 cu. ft.

- EZ-Open Handle™
- 1 Large Opaque Bin with Divider
- Auto Pull-Out Upper Drawer
- Filtered Ice Maker (Cubed)

### Accessories

External Water Filter (Not Included)

### Warranty

One (1) Year Parts and Labor on Refrigerator

Five (5) Years Parts and Labor on Sealed Refrigeration System Only\*

Ten (10) Years Parts and Five (5) Years Labor on Digital Inverter Compressor

\*Compressor, evaporator, condenser, drier, connecting tubing

### Product Dimensions & Weight

Dimensions (WxHxD with hinges, handles and doors):  
35<sup>3</sup>/<sub>4</sub>" x 70" x 35<sup>5</sup>/<sub>8</sub>"

Dimensions (WxHxD without hinges and door):  
35<sup>3</sup>/<sub>4</sub>" x 68<sup>5</sup>/<sub>8</sub>" x 29<sup>1</sup>/<sub>4</sub>"

Dimensions (WxHxD with hinge and door, no handle):  
35<sup>3</sup>/<sub>4</sub>" x 70" x 33<sup>1</sup>/<sub>4</sub>"

Weight: 271.2 lbs.

### Shipping Dimensions & Weight (WxHxD)

Dimensions: 38<sup>5</sup>/<sub>8</sub>" x 75<sup>3</sup>/<sub>4</sub>" x 36<sup>1</sup>/<sub>4</sub>"

Weight: 282.2 lbs.

Color

Stainless Steel

Model #

RF26HFENDSR

UPC Code

887276051987

**SAMSUNG**

\*Samsung received the highest numerical score for French door refrigerators in a tie in the proprietary J.D. Power 2014 Kitchen Appliance Study<sup>SM</sup>. Study based on 15,380 total responses measuring 10 French door refrigerator brands and measures opinions of consumers about their new appliance purchased in the past 24 months. Proprietary study results are based on experiences and perceptions of consumers surveyed in January-March 2014. Your experiences may vary. Visit [jdpower.com](http://jdpower.com).

Actual color may vary. Design, specifications, and color availability are subject to change without notice. Non-metric weights and measurements are approximate.

©2014 Samsung Electronics America, Inc. 85 Challenger Road, Ridgefield Park, NJ 07660. Tel: 800-SAMSUNG. [samsung.com](http://samsung.com). Samsung is a registered trademark of Samsung Electronics Co. Ltd.