



SAMSUNG

CLOTHES DRYER

Technical Information

IMPORTANT SAFETY NOTICE – “For Technicians only” This service data sheet is intended for use by persons having electrical, electronic, and mechanical experience and knowledge at a level generally considered acceptable in the appliance repair trade. Any attempt to repair a major appliance may result in personal injury and property damage. The manufacturer or seller cannot be responsible, nor assume any liability for injury or damage of any kind arising from the use of this data sheet.

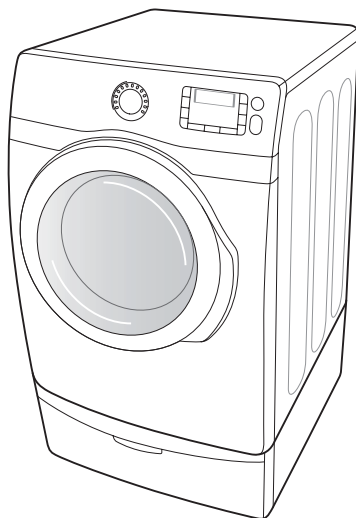
- Due to possibility of personal injury or property damage, always contact an authorized technician for servicing or repair of this unit.
- Refer to Service Manual (DV45H*, DV42H*) for detailed installation, operating, testing, troubleshooting, and disassembly instructions.

 **CAUTION**

All safety information must be followed as provided in Service Manual of DV45H*, DV42H*.

 **WARNING**

To avoid risk of electrical shock, personal injury or death; disconnect power to dryer before servicing, unless testing requires power.



Code No. : DC68-03382A_EN

ALIGNMENT AND ADJUSTMENTS

WARNING

To avoid risk of electrical shock, personal injury or death; disconnect power to dryer before servicing, unless testing requires power.

ERROR ITEMS AND DIAGNOSTIC CODES

An occurrence of an Error will make a sound of error melody for 5sec and continuously show one of the Error Displays from the following errors.

Error Display	Trigger	Action Taken
tE	The Thermistor resistance is very low or high.	Check for: - Clogged lint screen. - Restricted vent system. - Check Thermistor resistance.
dE	Running the dryer with door open	Check for: - Close the door, and run the dryer. - Loose or open wire terminals in Door Sense circuit.
dF	Invalid Door Switch	Check for: - Loose or open wire terminals in Door Sense circuit.
bE2	Invalid state of key.	Check for: - Display PCB key circuit short or not.
FE	Invalid power source Frequency	Check for: - Not using regular power source frequency - Invalid power frequency sense circuit
9E1	Electronic Control Problem (Over Voltage Error)	Check for: - Check PCB and Wire harness. - Check Power supply.
AE	Electronic Control Problem (Communication Error)	Check for: - Check PCB and Wire harness. - Replace PCB.
EEE	Invalid state of Eeprom communication	Check for : - PCB with Eeprom circuit.
HE	Invalid heating Temp in running the dryer	Call customer service

ALIGNMENT AND ADJUSTMENTS

WARNING

To avoid risk of electrical shock, personal injury or death; disconnect power to dryer before servicing, unless testing requires power.

TEST MODE

Data Display Mode

How to Enter:

- In normal mode, press **Drylevel** → **Time** → **Temp** → **Time** in less than 2 seconds to enter the display mode.
- To change the mode, use the cycle selector dial.

Definition of Data Display Mode:

- Display Mode 1 : Main micom version
- Display Mode 2 : display micom version
- Display Mode 3 : touch module version
- Display Mode 4 : option value
- Display Mode 5 : Temperature data
- Display Mode 6 : Average temperature data for 1 minute
- Display Mode 7 : Temperature data for detecting vent clog up
- Display Mode 8 : Average touch sensor data for 1 minute
- Display Mode 9 : cycle count

Smart Install

This allows service personnel to check if the dryer is installed properly.

To enter this mode

Turn on the product, and press and hold the **Adjust Time Up + Temp** key for 7 seconds.

A message of "SC" appears on the display.

1. Checking the touch sensor
Enter the Smart Install mode, and open the door. The state of the touch sensor appears on the display.

0 : Touch sensor open

1 : Touch sensor short



Put a wet cloth on the touch sensor to display "1". Releasing it displays "0".

2. Checking the motor and the heater
After checking the touch sensor is complete, press the Start button to enter the checking mode. When the checking is complete, the results appear on the display.

OK : Both motor and heater work normally

HE : Motor or heater doesn't work normally

To exit the Smart Install mode, turn off the product.

Error Recall Mode

The Error Recall mode reminds users of the latest error that appeared.

Press and hold both the **Wrinkle prevent + Dry Level** keys for more than 7 seconds to enter this mode.

In the Error Recall mode, the most recent error that occurred is displayed. If there is no recent error, nothing is displayed.

ALIGNMENT AND ADJUSTMENTS

WARNING

To avoid risk of electrical shock, personal injury or death; disconnect power to dryer before servicing, unless testing requires power.

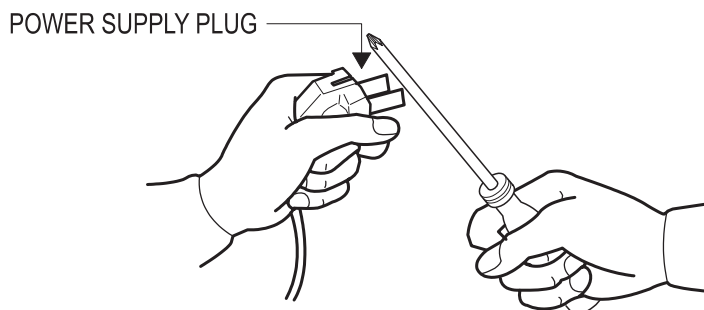
TROUBLE DIAGNOSIS

- As the micom dry machine is configured of the complicate structure, there might be the service call.
Below information is prepared for exact trouble diagnosis and suitable repair guide.

Caution for the Repair and Replacement

Please follow below instruction for the trouble diagnosis and parts replacement.

- 1) As some electronic components are damaged by the charged static electricity from the resin part of dryer or the human body, prepare the human body earth or remove the potential difference of the human body and dryer by contacting the power supply plug when the work contacting to PCB is executed.



- 2) As the P.C.B assembly is designed for no trouble, do not replace the P.C.B assembly by the wrong diagnosis and follow the procedure of the trouble diagnosis when the micom is not operated normally.

TROUBLE SHOOTING

WARNING

To avoid risk of electrical shock, personal injury or death; disconnect power to dryer before servicing, unless testing requires power.

No	Problem	What To Do
1	Will Not Start or Run	<ul style="list-style-type: none"> All wires are hooked up to their corresponding terminals. Dryer is plugged in. Blown fuse or circuit breaker. Door switch functional...door closed. Check for error code 3 (See Table for codedefinition). Start/Pause rotary selector dial functional. Control Board operational. Belt off or broken and Belt Cut-off Switch operates. Drive motor functional. Check motor winding resistance: 2.88ohms between pin #3 and 4, 3.5ohms between pin #4 and 5.
2	Motor runs/ tumbler will not turn	<ul style="list-style-type: none"> Belt off or broken/damaged. Idler tension spring too weak or stretched. Idler pulley jammed or stuck.
3	Runs a few minutes and then stops	<ul style="list-style-type: none"> Lint buildup around drive motor. Low voltage present. Blower impeller blocked in blower housing. Drive motor - start switch contacts stuck closed.
4	Blows fuses or trips circuit breaker	<ul style="list-style-type: none"> Is the belt connected well? Is the winding of the motor continuous? (Rotor winding, stator winding, generator) Is the motor protector normal? If above points are not found, the PCB assembly is out of order. Replace it.
5	Blows fuses or trips circuit breaker (Gas Model)	<ul style="list-style-type: none"> During ignition the dryer will draw X amps. With the burner ON, the dryer will draw X amps. If the dryer is drawing amperages above this, then the house wiring, fuse box or circuit breaker is suspected to be at fault. Igniter harness loose and shorted to base. Incorrect wiring or wire shorted to ground. Drive motor winding shorting to ground.
6	Will not heat (motor runs)	<p>Open heating element.</p> <ul style="list-style-type: none"> Hi-Limit trips easily or is open. Regulating thermostat trips easily or is open. Membrane switch open. Check Thermistor.
7	Will Not Dry Gas Model Poor Gas Ignition	<p>When the dryer is operated on a heat setting, the igniter should be energized and burner shall fire within 45 seconds at 120 VAC. The failure of a component in this system will usually be indicated by one of three symptoms:</p>

TROUBLE SHOOTING

WARNING

To avoid risk of electrical shock, personal injury or death; disconnect power to dryer before servicing, unless testing requires power.

No	Problem	What To Do
8	The igniter does not glow	<p>If the igniter does not heat up, remove power and using an ohmmeter, check the following:</p> <ul style="list-style-type: none"> • Open flame sensor • Open igniter • Shorted booster coil • Open wiring • Bad motor switch (Neutral supply) • No power from control (L1 supply)
9	Igniter glows - No gas ignition	<p>If the igniter heats up but the main burner flame is not ignited, remove power and using an ohmmeter, check the following:</p> <ul style="list-style-type: none"> • Open secondary coil • Open holding coil • Open wire harness • Stuck flame sensor (Stuck closed)
10	The gas is ignited but the flame goes out	<p>If a normal ignition takes place and after a short while the flame goes out, check for the following:</p> <ul style="list-style-type: none"> • Radiant sensor contacts opening prematurely. • Weak gas valve coil may open when stressed by higher Temps. • Weak Hi-Limit • Poor venting • Bad drum seals
11	Improper drying clothes wrinkled Rough texture long dry time	<ul style="list-style-type: none"> • Lint filter is not clean. • Restriction in exhaust. • Outside exhaust hood damper door stuck closed. • Exhaust too long, too many elbows, flex ductwork installed. • Poor intake air available for the dryer. • Incorrect tumbler speed. Tumbler belt slipping. • Blower impeller bound; check for foreign material in blower area. • Customer overloading dryer. • Check clothing labels for fabric content and cycle selected. • Clothes too wet due to insufficient spin out by washer.
12	Noisy and/OR Vibration	<ul style="list-style-type: none"> • Thumping Check for loose tumbler baffle, rear tumbler roller(s) worn or misaligned, out-of-round tumbler or high weld seam on tumbler. • Ticking Check for loose wire harness or object caught in blower wheel area. • Scraping Check for front or rear bulkhead felt seal out of position or worn tumbler front bearings. • Roaring Check for blower wheel rubbing on blower housing or bad motor bearings. • Popping or squealing sound. Check for a sticky or frayed belt.

TROUBLE SHOOTING

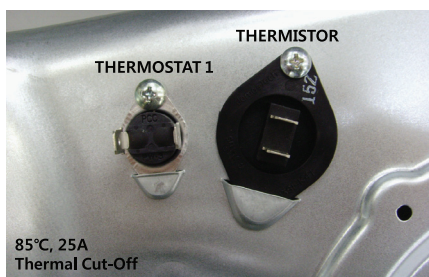
⚠ WARNING

To avoid risk of electrical shock, personal injury or death; disconnect power to dryer before servicing, unless testing requires power.

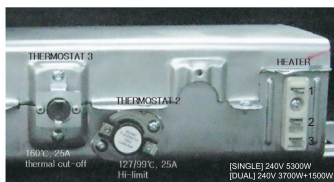
COMPONENT TESTING PROCEDURES

Component Electrical Testing (with ohmmeter)

- Thermistor resistance 10K Ω @ 25°C 77°F
- Thermostat 1 resistance < 1 Ω



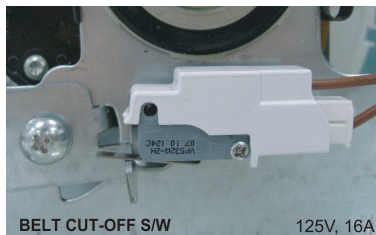
- Thermostat 3 resistance < 1 Ω
- If resistance is infinity, replace thermostat 3.
- Thermostat 2 resistance < 1 Ω
- If resistance is infinity, replace thermostat 2.
- [DUAL] Heater resistance 13 Ω (PIN 2-3) Heater resistance 34 Ω (PIN 1-2)
- If resistance is infinity, replace Heater.
- [SINGLE] Heater resistance 10 Ω (PIN 1-3)
- If resistance is infinity, replace Heater.



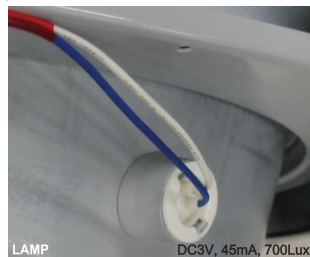
- Measure resistance of the following terminal
- 1) Door switch : off
Terminal : "COM" - "NC" (1-3) < 1 Ω
Terminal : "COM" - "NO" (1-2) : ∞ Ω
 - 2) Door switch : On
Terminal : "COM" - "NC" (1-3) : ∞ Ω
Terminal : "COM" - "NO" (1-2) < 1 Ω



- Belt Cut-off S/W
- Lever open: Resistance value < 1 Ω
- Lever push: Resistance value : ∞ Ω



- Lamp resistance : ∞ Ω , (-) : BLU, (+) : WHT



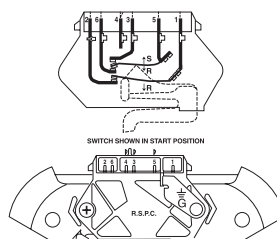
- Motor (Electronic & GAS)

Contacts

Function	1M	2M	3M	5M	6M
Start			—		
Run	—			—	

- = Contact closed

Centrifugal Switch (Motor)



2.88 Ω between
Pin# 3 and 4

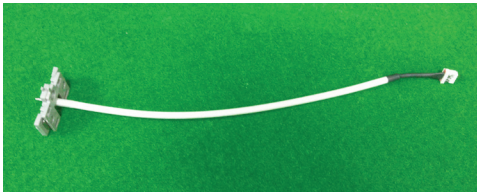
3.5 Ω between
Pin# 4 and 5

TROUBLE SHOOTING

WARNING

To avoid risk of electrical shock, personal injury or death; disconnect power to dryer before servicing, unless testing requires power.

THERMISTOR



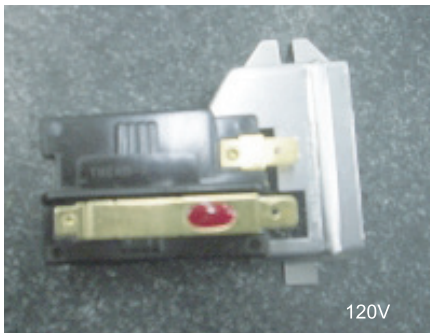
238.23Ω @ 25 °C 77

GAS MODEL

Radiant Sensor(10RS)

Resistance value < 1 Ω

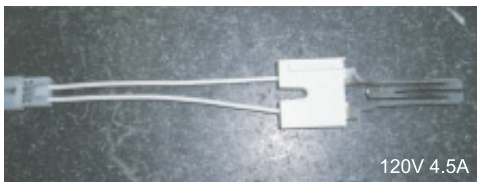
If resistance is infinite, replace Radiant sensor



Igniter(101D)

Resistance value 40~400 Ω

If resistance is infinite, replace Igniter



Gas Valve(25M01A)

Valve 1-2 : Resistance value about 1365 Ω

Valve 1-3 : Resistance value about 560 Ω

Valve 4-5 : Resistance value about 1325 Ω

If resistance is infinity, replace Valve



Thermostat (60T21 Hi-Limit)230F-50F

Resistance value < 1 Ω

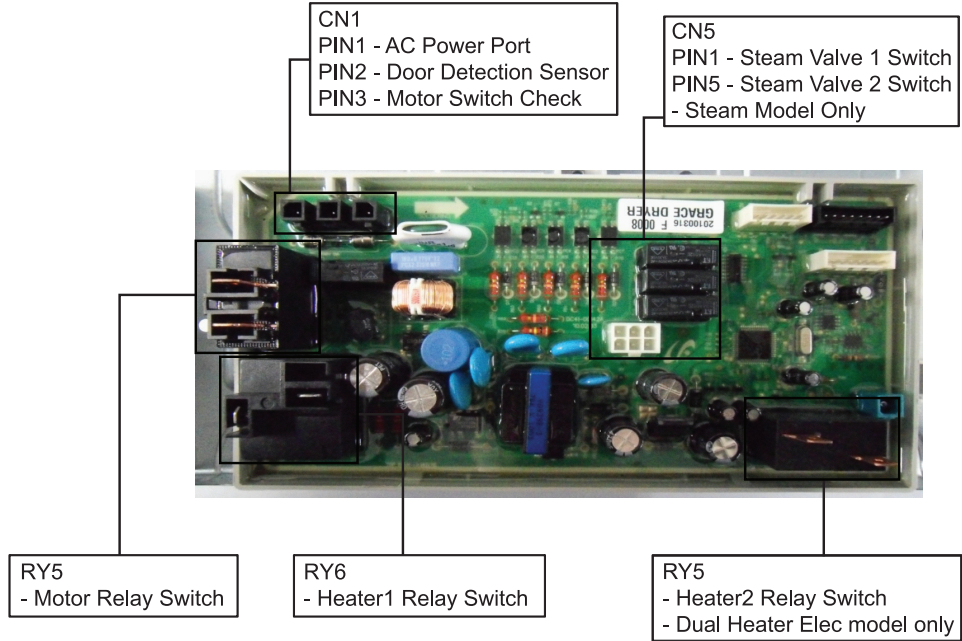
If resistance is infinity, replace Thermostat



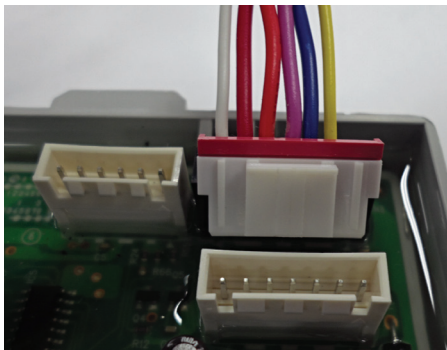
TROUBLE SHOOTING

WARNING

To avoid risk of electrical shock, personal injury or death; disconnect power to dryer before servicing, unless testing requires power.



Sensor Bars & temperature sensor check



Sensor Bars - Disconnect harness and test Pink wire Pin 4 to Orange wire Pin 5.
Approx $\infty \Omega$ without laundry
Approx $190 \Omega \pm 10 \%$ with wet clothes

Cycling Thermistor 1 - Disconnect harness and test Blue wire Pin 3 to Red wire Pin 6.
Approx $10 \text{ K}\Omega$ at $25^\circ \text{C} / 77^\circ \text{F}$

Vent Thermistor 2 (Vent sensor model only) - Disconnect harness and test Yellow wire Pin 2 to White wire Pin 7.
Approx $238.23 \text{ K}\Omega$ at $25^\circ \text{C} / 77^\circ \text{F}$

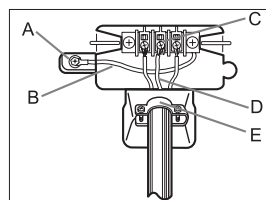
TROUBLE SHOOTING

WARNING

To avoid risk of electrical shock, personal injury or death; disconnect power to dryer before servicing, unless testing requires power.

3-WIRE system connections

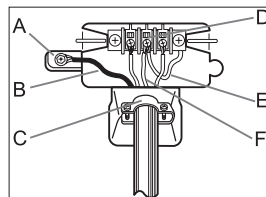
- A. External ground connector
- B. Neutral grounding wire (green/yellow)
- C. Center silver-colored terminal block screw
- D. Neutral wire (white or center wire)
- E. $\frac{3}{4}$ " (1.9 cm) UL-listed strain relief
 1. Loosen or remove the center terminal block screw.
 2. Connect the neutral wire (white or center wire) of the power cord to the center, silver-colored terminal screw of the terminal block. Tighten screw.
 3. Connect the other wires to outer terminal block screws. Tighten screws.
 4. Tighten the strain relief screws.
 5. Insert the tab of the terminal block cover into your Dryer's rear panel slot. Secure the cover with a hold-down screw.



If converting from a 4-wire electrical system to a 3-wire, the ground strap must be reconnected to the terminal block support to ground the Dryer frame to the neutral conductor.

4-WIRE system connections

- A. External ground connector
- B. Green or bare copper wire of power cord
- C. $\frac{3}{4}$ " (1.9 cm) UL-listed strain relief
- D. Center silver-colored terminal block screw
- E. Neutral Grounding wire (green/yellow)
- F. Neutral wire (white or center wire)
 1. Remove the External ground connector screw.
 2. Connect the ground wire (green or unwrapped) of the power cord to the external ground connector screw. If you want to connect B(Green or bare copper wire of power cord) to the Neutral Post without assembling with A(cabinet ground), call the service technician.
 3. Loosen or remove the center terminal block screw.
 4. Connect the neutral wire (white or center wire) of the power cord and the appliance ground wire (green with yellow stripes) under the central screw of the terminal block.
 5. Connect the other wires to the outer terminal block screws. Tighten screws.
 6. Tighten the strain relief screws.
 7. Insert the tab of the terminal block cover into your Dryer's rear panel slot. Secure the cover with a hold-down screw.



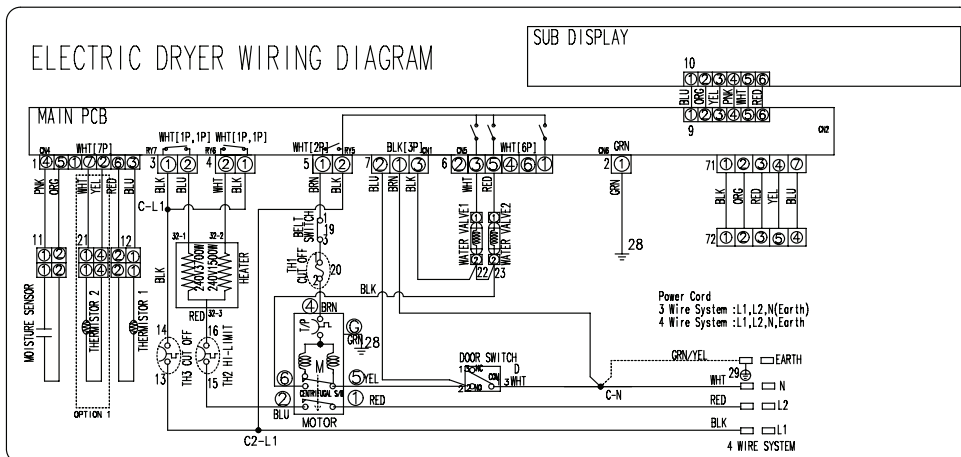
WIRING DIAGRAM

⚠ WARNING

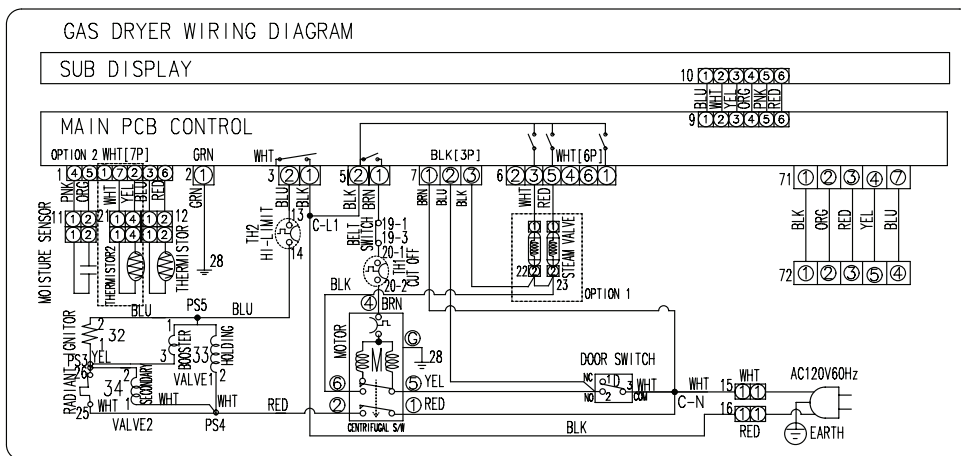
To avoid risk of electrical shock, personal injury or death; disconnect power to dryer before servicing, unless testing requires power.

WIRING DIAGRAM

DV45H6300E*, DV42H5600E*



DV45H6300G*, DV42H5600G*



**SAMSUNG**

SÈCHE-LINGE

Informations techniques

CONSIGNE DE SÉCURITÉ IMPORTANTE : réservée aux techniciens Cette fiche de maintenance est destinée aux réparateurs disposant d'un niveau d'expérience et de connaissances suffisants en matière d'électricité, d'électronique et de mécanique. Toute opération de réparation d'un gros appareil électro-ménager est susceptible d'entraîner des blessures ou des dégâts matériels. Le fabricant ou le vendeur ne peut pas être tenu responsable en cas de blessure ou de dégât matériel découlant de l'utilisation de la présente fiche.

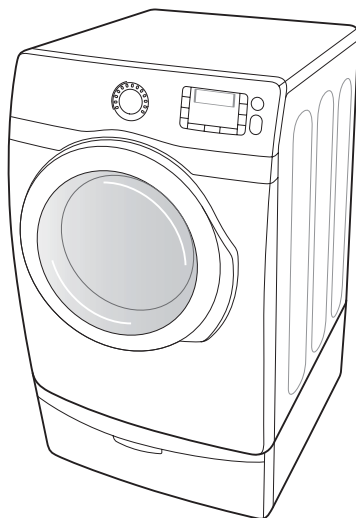
- En raison des risques de blessure ou de dommages matériels existants, demandez toujours à un technicien qualifié d'effectuer les opérations d'entretien ou de réparation de cet appareil.
- Reportez-vous au manuel de réparation (DV45H*, DV42H*) pour connaître les consignes d'installation, d'utilisation, de test, de dépannage et de démontage détaillées.

ATTENTION

Toutes les consignes de sécurité figurant dans le manuel de réparation des modèles DV45H*, DV42H* doivent être respectées.

AVERTISSEMENT

Afin d'éviter tout risque d'électrocution légère ou mortelle, débranchez le sèche-linge avant de le réparer, sauf si le test nécessite sa mise sous tension.



Code n° : DC68-03382A_CFR

ALIGNEMENTS ET RÉGLAGES

AVERTISSEMENT

Afin d'éviter tout risque d'électrocution légère ou mortelle, débranchez le sèche-linge avant de le réparer, sauf si le test nécessite sa mise sous tension.

CODES D'ERREUR ET DIAGNOSTICS

Lorsqu'une erreur se produit, un signal sonore retentit pendant 5 secondes et l'un des messages d'erreur suivants s'affiche en continu.

Affichage de l'erreur	Problème	Vérification
tE	La résistance de la thermistance est très faible ou très élevée.	Diagnostic possible : <ul style="list-style-type: none">- Filtre à peluches bouché.- Capacités du système d'aération réduites.- Vérifiez la résistance de la thermistance.
dE	Fonctionnement du sèche-linge avec le hublot ouvert	Diagnostic possible : <ul style="list-style-type: none">- Fermez le hublot et allumez le sèche-linge.- Bornes du câble mal connectées ou débranchées au niveau du circuit du capteur du hublot.
dF	Interrupteur du hublot non valide	Diagnostic possible : <ul style="list-style-type: none">- Bornes du câble mal connectées ou débranchées au niveau du circuit du capteur du hublot.
bE2	État non valide de court-circuit	Diagnostic possible : <ul style="list-style-type: none">- Circuit principal de la carte de circuit imprimé de l'affichage court-circuité ou non.
FE	Fréquence de source d'alimentation non valide	Diagnostic possible : <ul style="list-style-type: none">- Utilisation d'une fréquence d'alimentation incorrecte- Circuit du capteur de fréquence d'alimentation endommagé
9E1	Problème d'ordre électronique (Surtension)	Diagnostic possible : <ul style="list-style-type: none">- Vérifiez la carte de circuit imprimé et le faisceau électrique.- Vérifiez l'alimentation électrique.
AE	Problème électronique (erreur de communication)	Diagnostic possible : <ul style="list-style-type: none">- Vérifiez la carte de circuit imprimé et le faisceau électrique.- Remplacez la carte de circuit imprimé.
EEE	État non valide de la communication Eeprom	Diagnostic possible : <ul style="list-style-type: none">- Carte de circuit imprimé avec circuit Eeprom.
HE	Température de chauffage non valide lors du fonctionnement du sèche-linge.	Appelez le service de dépannage.

ALIGNEMENTS ET RÉGLAGES



AVERTISSEMENT

Afin d'éviter tout risque d'électrocution légère ou mortelle, débranchez le sèche-linge avant de le réparer, sauf si le test nécessite sa mise sous tension.

MODE DE TEST

Mode d'affichage des données

Pour sélectionner ce mode :

- En mode normal, appuyez sur **Drylevel (Niveau de séchage)** → **Time (Temps)** → **Temp (Température)** → **Time (Temps)** en moins de 2 secondes pour passer en mode d'affichage.
- Pour changer le mode, utilisez la molette de sélection de programme.

Définition du mode d'affichage des données :

- Mode d'affichage 1 : version du micromètre principal
- Mode d'affichage 2 : version du micromètre de l'affichage
- Mode d'affichage 3 : version du module tactile
- Mode d'affichage 4 : valeur de l'option
- Mode d'affichage 5 : données de température
- Mode d'affichage 6 : moyenne des données de température pendant 1 minute
- Mode d'affichage 7 : données de température pour la détection du colmatage du système de ventilation
- Mode d'affichage 8 : moyenne des données du capteur tactile pendant 1 minute
- Mode d'affichage 9 : comptage de cycle

Smart Install (Installation intelligente)

Cette fonction permet au technicien de maintenance de vérifier si le sèche-linge est correctement installé.

Pour passer dans ce mode

Mettez l'appareil sous tension et maintenez appuyée la touche **Adjust Time Up + Temp (Réglage de durée + Température)** pendant 7 secondes.

Un message « SC » s'affiche.

1. Vérification du capteur tactile

Passez en mode Smart Install (Installation intelligente), et ouvrez le hublot. L'état du capteur tactile s'affiche.

0 : Circuit du capteur tactile ouvert

1 : Circuit du capteur tactile en court-circuit



Placez un linge humide sur le capteur tactile pour afficher « 1 ». Le retirer affiche « 0 ».

2. Vérification du moteur et de l'élément chauffant

Une fois que la vérification du capteur tactile est terminée, appuyez sur le bouton Start (Démarrer) pour passer en mode de vérification. Lorsque la vérification est terminée, les résultats s'affichent.

OK : le moteur et l'élément chauffant fonctionnent correctement

HE : le moteur ou l'élément chauffant ne fonctionne pas correctement

Pour quitter le mode Smart Install (Installation intelligente), mettez l'appareil hors tension.

Mode Rappel d'erreur

Le mode Error Recall (Rappel d'erreur) permet de rappeler aux utilisateurs la dernière erreur qui s'est affichée.

Appuyez et maintenez les touches **Wrinkle prevent + Dry Level (Anti-froissage + Niveau de séchage)** pendant plus de 7 secondes pour passer dans ce mode. En mode Error Recall (Rappel d'erreur), l'erreur survenue la plus récente est affichée. En l'absence d'erreur récente, il n'y a aucun affichage.

ALIGNEMENTS ET RÉGLAGES

AVERTISSEMENT

Afin d'éviter tout risque d'électrocution légère ou mortelle, débranchez le sèche-linge avant de le réparer, sauf si le test nécessite sa mise sous tension.

DIAGNOSTIC DES PROBLÈMES

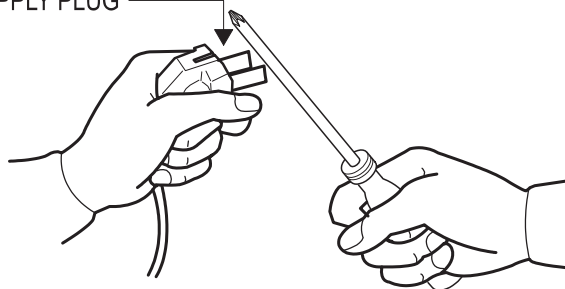
- Le micom du sèche-linge est configuré pour une structure complexe, c'est pourquoi il est conseillé de contacter le service après-vente.
Les informations suivantes répondent à un diagnostic précis et constituent un guide de réparation adapté.

Consignes à respecter pendant les opérations de réparation et de remplacement

Respectez les consignes ci-dessous pour le diagnostic des problèmes et le remplacement des pièces.

- 1) Certains composants électroniques risquant d'être endommagés par l'électricité statique recouvrant la partie en résine du sèche-linge ou le corps humain, veillez à ce que votre corps soit toujours relié à la terre ou éliminez la différence de potentiel entre votre corps et le sèche-linge en touchant la prise d'alimentation avant de travailler sur la carte de circuit imprimé.

POWER SUPPLY PLUG



- 2) La carte de circuit imprimé étant un composant résistant conçu pour ne pas rencontrer de problème, ne la remplacez pas suite à un diagnostic erroné et respectez la procédure de diagnostic des problèmes lorsque le micom ne fonctionne pas correctement.

DÉPANNAGE



AVERTISSEMENT

Afin d'éviter tout risque d'électrocution légère ou mortelle, débranchez le sèche-linge avant de le réparer, sauf si le test nécessite sa mise sous tension.

N°	Problème	Procédure à suivre
1	Ne démarre pas ou ne fonctionne pas	<ul style="list-style-type: none"> Tous les câbles sont branchés sur leurs bornes correspondantes. Le sèche-linge est branché. Le fusible est grillé ou le disjoncteur est déclenché. Interrupteur du hublot fonctionnel...hublot fermé. Vérifiez le code d'erreur 3 (reportez-vous au tableau pour la définition des codes). La mise en marche/pause à l'aide du sélecteur rotatif fonctionne. Panneau de commande opérationnel. La courroie est désactivée ou rompue et l'interrupteur de désactivation de la courroie fonctionne. Moteur d'entraînement fonctionnel. Vérifiez la résistance de la bobine du moteur : 2,88 ohms entre les broches 3 et 4, 3,5 ohms entre les broches 4 et 5.
2	Le moteur fonctionne mais le tambour ne tourne pas	<ul style="list-style-type: none"> La courroie est désactivée ou rompue/endommagée. Le ressort de tension du galet est trop faible ou étiré. Le galet-tendeur est bloqué ou grippé.
3	Fonctionne quelques minutes puis s'arrête	<ul style="list-style-type: none"> Des peluches se sont accumulées autour du moteur d'entraînement. Faible tension électrique. La turbine du ventilateur est bloquée dans le logement du ventilateur. Les contacts de l'interrupteur de démarrage du moteur d'entraînement sont bloqués fermés.
4	Fait griller les fusibles ou déclenche le disjoncteur	<ul style="list-style-type: none"> La courroie est-elle correctement fixée ? L'enroulement du moteur est-il continu ? (enroulement du rotor, enroulement du stator, génératrice) La protection du moteur est-elle normale ? Si aucun des points ci-dessus n'est défaillant, la carte de circuit imprimé est défectueuse. Remplacez-la.
5	Fait griller les fusibles ou déclenche le disjoncteur (modèle à gaz)	<ul style="list-style-type: none"> Lors de l'allumage, le sèche-linge consomme X ampères. Lorsque le brûleur est allumé, le sèche-linge consomme X ampères. Si la consommation du sèche-linge est supérieure à ces valeurs, le système électrique du domicile, la boîte de fusibles ou le disjoncteur est soupçonné(e) être défectueux. Le faisceau électrique de l'allumeur est mal connecté et court-circuité à la base. Le câblage est incorrect ou un câble est court-circuité à la masse. L'enroulement du moteur d'entraînement est court-circuité à la masse.
6	Ne chauffe pas (le moteur tourne)	<p>L'élément chauffant est en circuit ouvert.</p> <ul style="list-style-type: none"> Le régulateur se déclenche facilement ou il est en circuit ouvert. Le thermostat de régulation se déclenche facilement ou il est en circuit ouvert. Le commutateur de membrane est en circuit ouvert. Vérifiez la thermistance.
7	Ne sèche pas, mauvais allumage (modèle à gaz)	<p>Lorsque le sèche-linge fonctionne avec un programme de séchage, l'allumeur doit être sous tension et le brûleur doit s'allumer dans les 45 secondes à 120 V CA. Lorsque l'un des composants du système est défectueux, cela est indiqué par l'un des trois symptômes suivants :</p>

DÉPANNAGE



AVERTISSEMENT

Afin d'éviter tout risque d'électrocution légère ou mortelle, débranchez le sèche-linge avant de le réparer, sauf si le test nécessite sa mise sous tension.

N°	Problème	Procédure à suivre
8	L'allumeur ne s'allume pas.	<p>Si l'allumeur ne chauffe pas, coupez l'alimentation et à l'aide d'un ohmmètre, vérifiez les points suivants :</p> <ul style="list-style-type: none"> • Détecteur de flamme en circuit ouvert • Allumeur en circuit ouvert • Survolteur court-circuité • Câblage en circuit ouvert • Commutateur de moteur défectueux (courant neutre) • Pas d'alimentation depuis la commande (courant L1)
9	L'allumeur s'allume. Le gaz ne s'enflamme pas	<p>Si l'allumeur chauffe mais le brûleur principal ne s'allume pas, coupez l'alimentation et à l'aide d'un ohmmètre, vérifiez les points suivants :</p> <ul style="list-style-type: none"> • Bobine secondaire en circuit ouvert • Bobine de maintien en circuit ouvert • Faisceau électrique en circuit ouvert • Capteur de flamme bloqué (complètement obstrué)
10	Le gaz s'allume mais la flamme s'éteint	<p>Si l'allumage s'effectue normalement et que la flamme s'éteint après une courte période, vérifiez les points suivants :</p> <ul style="list-style-type: none"> • Les contacts du capteur radiant s'ouvrent prématurément • Le bobinage d'une vanne de gaz défectueux peut être en circuit ouvert lorsqu'il est soumis à des températures trop élevées • Régulateur défectueux • Ventilation défectueuse • Joints de tambours défectueux
11	Mauvais séchage, vêtements froissés, texture rêche, durée de séchage trop longue	<ul style="list-style-type: none"> • Le filtre à peluches est sale. • Le système d'aération est bouché. • Le registre du système d'aération extérieur est bloqué. • Le conduit d'évacuation flexible installé est trop long, possède de trop nombreux coudes. • La prise d'air du sèche-linge est mauvaise. • La vitesse du tambour est incorrecte. La courroie du tambour glisse. • La turbine du ventilateur est bloquée. Vérifiez qu'il n'y a pas de corps étrangers au niveau du ventilateur. • L'utilisateur a surchargé le sèche-linge. • Vérifiez les étiquettes des vêtements et le cycle sélectionné. • Les vêtements sont trop mouillés en raison d'un essorage insuffisant du lave-linge.
12	Bruit et/ou vibrations	<ul style="list-style-type: none"> • Bruit sourd. Vérifiez que les battants du tambour ne sont pas desserrés, le ou les rouleaux arrière du tambour sont usés ou mal alignés, le tambour est voilé ou le joint de soudure du tambour est important. • Cliquetis. Vérifiez que le faisceau électrique n'est pas desserré ni qu'aucun objet n'est pris dans la roue du ventilateur. • Frottement. Vérifiez que la garniture en feutre du bloc avant ou arrière ne s'est pas déplacée ou que les roulements avant du tambour ne sont pas usés. • Bourdonnement. Vérifiez que la roue du ventilateur ne frotte pas contre le carter du ventilateur ou que les roulements du moteur ne sont pas défectueux. • Claquement ou grincement. Vérifiez que la courroie n'est pas collante ou effilochée.

DÉPANNAGE

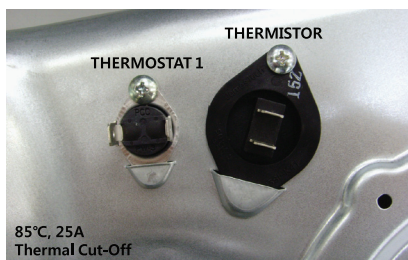
AVERTISSEMENT

Afin d'éviter tout risque d'électrocution légère ou mortelle, débranchez le sèche-linge avant de le réparer, sauf si le test nécessite sa mise sous tension.

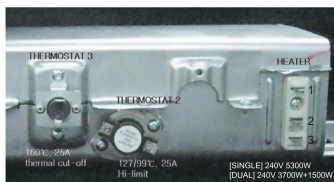
PROCÉDURES DE TEST DES COMPOSANTS

Test des composants électriques (avec ohmmètre)

- Résistance de la thermistance 10 K Ω @ 25 °C (77 °F)
- Résistance du thermostat 1 < 1 Ω



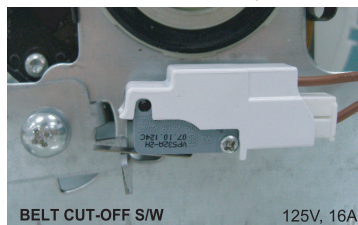
- Résistance du thermostat 3 < 1 Ω
- Si la résistance est infinie, remplacez le thermostat 3.
- Résistance du thermostat 2 < 1 Ω
- Si la résistance est infinie, remplacez le thermostat 2.
- [DOUBLE] Résistance de l'élément chauffant 13 Ω (BROCHES 2-3) Résistance de l'élément chauffant 34 Ω (BROCHES 1-2)
- Si la résistance est infinie, remplacez l'élément chauffant.
- [UNIQUE] Résistance de l'élément chauffant 10 Ω (BROCHES 1-3)
- Si la résistance est infinie, remplacez l'élément chauffant.



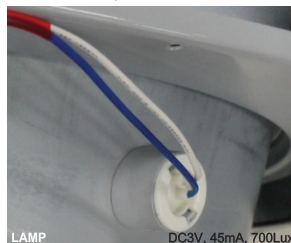
- Mesurez la résistance des bornes suivantes
- 1) Interrupteur du hublot : désactivé
Borne : « COM » - « NC » (1-3) < 1 Ω
Borne : « COM » - « NO » (1-2) : $\infty \Omega$
 - 2) Interrupteur du hublot : activé
Borne : « COM » - « NC » (1-3) : $\infty \Omega$
Borne : « COM » - « NO » (1-2) < 1 Ω



- Commutateur d'arrêt de la courroie
- Manette ouverte : valeur ohmique < 1 Ω
- Manette actionnée : valeur ohmique : $\infty \Omega$






- Résistance de la lampe : $\infty \Omega$, (-) : BLEU, (+) : BLANC



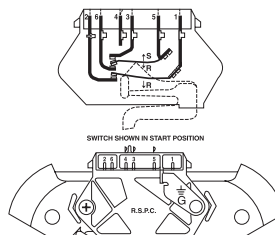
- Moteur (électronique et gaz)

Contacts

Fonction	1M	2M	3M	5M	6M
Départ					
Fonctionnement					

- = contact fermé

Interrupteur centrifuge (moteur)



2,88 Ω entre les broches 3 et 4

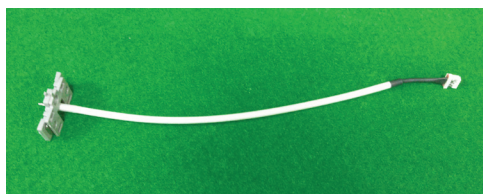
3,5 Ω entre les broches 4 et 5

DÉPANNAGE

AVERTISSEMENT

Afin d'éviter tout risque d'électrocution légère ou mortelle, débranchez le sèche-linge avant de le réparer, sauf si le test nécessite sa mise sous tension.

THERMISTANCE



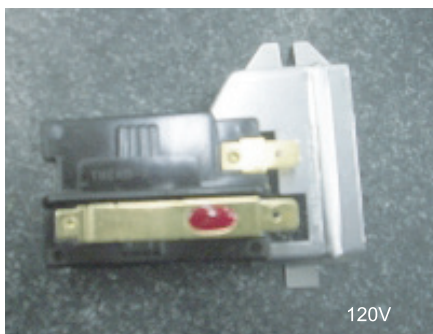
238,23 Ω à 25 °C 77 °F

MODÈLE À GAZ

Capteur radiant (10RS)

Valeur ohmique < 1 Ω

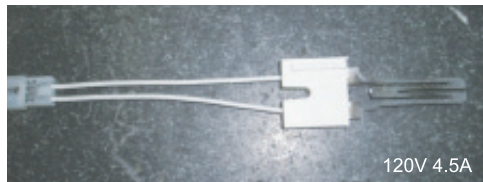
Si la résistance est infinie, remplacez le capteur radiant



Allumeur (101D)

Valeur ohmique 40 à 400 Ω

Si la résistance est infinie, remplacez l'allumeur.



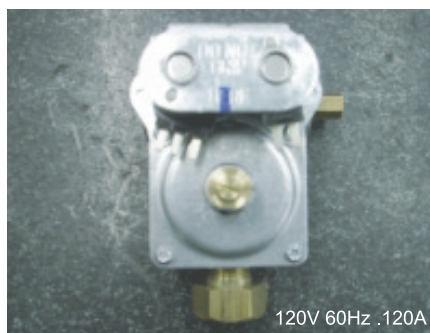
Soupape à gaz (25M01A)

Soupape 1-2 : Valeur ohmique 1365 Ω environ

Soupape 1-3 : Valeur ohmique 560 Ω environ

Soupape 4-5 : Valeur ohmique 1325 Ω environ

Si la résistance est infinie, remplacez la soupape.



Thermostat (régulateur 60T21) 230F-50F

Valeur ohmique < 1 Ω

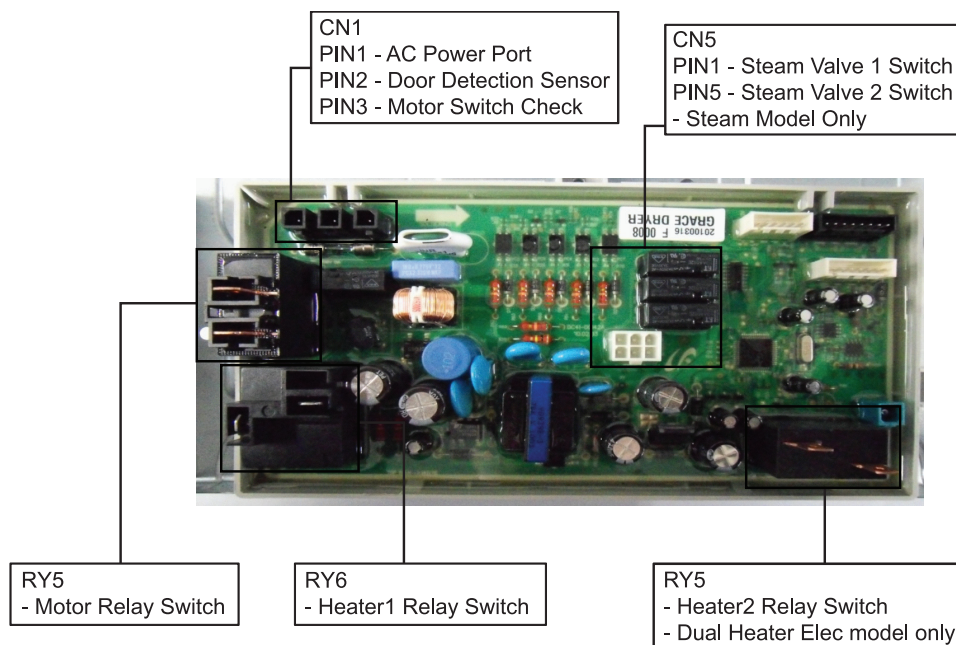
Si la résistance est infinie, remplacez le thermostat.



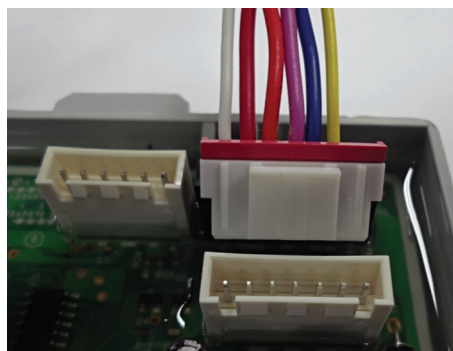
DÉPANNAGE

AVERTISSEMENT

Afin d'éviter tout risque d'électrocution légère ou mortelle, débranchez le sèche-linge avant de le réparer, sauf si le test nécessite sa mise sous tension.



Vérification des capteurs et du capteur de température



Capteurs - Débranchez le faisceau et testez le fil rose au niveau de la broche 4 et le fil orange au niveau de la broche 5.

Environ $\infty \Omega$ sans linge

Environ $190 \Omega \pm 10 \%$ avec linge mouillé

Thermistance de cyclage 1 - Débranchez le faisceau et testez le fil bleu au niveau de la broche 3 et le fil rouge au niveau de la broche 6.

Environ $10 \text{ K}\Omega$ à 25°C (77°F)

Thermistance de ventilation 2 (uniquement pour le modèle à capteur de ventilation) - Débranchez le faisceau et testez

Fil jaune broche 2 à fil blanc broche 7.

Environ $238,23 \text{ K}\Omega$ à 25°C (77°F)

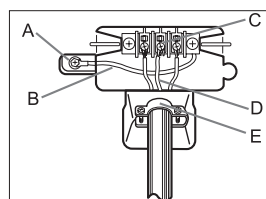
DÉPANNAGE

AVERTISSEMENT

Afin d'éviter tout risque d'électrocution légère ou mortelle, débranchez le sèche-linge avant de le réparer, sauf si le test nécessite sa mise sous tension.

Branchements à 3 FILS

- A. Connecteur de terre externe
- B. Fil de terre neutre (vert/jaune)
- C. Vis centrale argentée du bornier
- D. Fil neutre (blanc ou central)
- E. Libérateur de tension $\frac{3}{4}$ " (1,9 cm) homologué UL
 1. Desserrez ou retirez la vis centrale du bornier.
 2. Reliez le fil neutre (blanc ou central) du cordon d'alimentation à la borne à vis argentée centrale du bornier. Serrez la vis.
 3. Reliez les autres fils aux bornes à vis extérieures. Serrez les vis.
 4. Serrez les vis de libération de tension.
 5. Insérez la languette du cache du bornier dans la fente située sur le panneau arrière du sèche-linge. Fixez le cache en place à l'aide d'une vis.



Lors de la conversion d'un système électrique à 4 fils en système électrique à 3 fils, le conducteur de terre doit être rebranché sur le support du bornier, pour mettre le châssis du sèche-linge à la terre sur le conducteur neutre.

Branchements à 4 FILS

- A. Connecteur de terre externe
- B. Fil vert ou en cuivre nu du cordon d'alimentation
- C. Libérateur de tension $\frac{3}{4}$ " (1,9 cm) homologué UL
- D. Vis centrale argentée du bornier
- E. Fil de terre neutre (vert/jaune)
- F. Fil neutre (blanc ou central)
 1. Retirez la vis du connecteur de terre externe.
 2. Reliez le fil de terre (vert ou dénudé) du cordon d'alimentation à la vis du connecteur de terre externe. Pour brancher B (fil vert ou en cuivre dénudé du cordon d'alimentation) à la borne neutre sans l'assembler à A (mise à la terre du châssis), contactez un technicien de maintenance.
 3. Desserrez ou retirez la vis centrale du bornier.
 4. Branchez le fil neutre (blanc ou central) du cordon d'alimentation et le fil de terre de l'appareil (vert à rayures jaunes) sous la vis centrale du bornier.
 5. Reliez les autres fils aux bornes à vis extérieures. Serrez les vis.
 6. Serrez les vis de libération de tension.
 7. Insérez la languette du cache du bornier dans la fente située sur le panneau arrière du sèche-linge. Maintenez le cache en place à l'aide d'une vis.

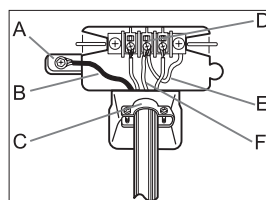


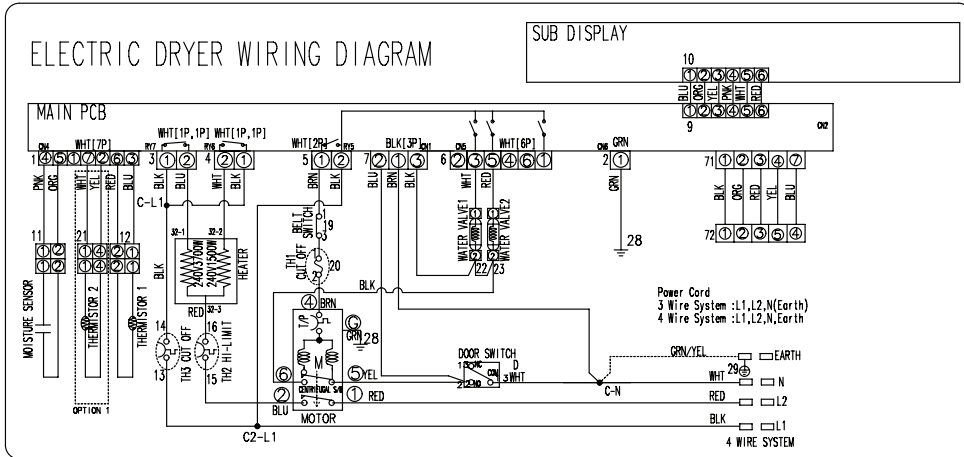
SCHÉMA DE CÂBLAGE

⚠ Avertissement

Afin d'éviter tout risque d'électrocution légère ou mortelle, débranchez le sèche-linge avant de le réparer, sauf si le test nécessite sa mise sous tension.

SCHÉMA DE CÂBLAGE

DV45H6300E*, DV42H5600E*



DV45H6300G*, DV42H5600G*

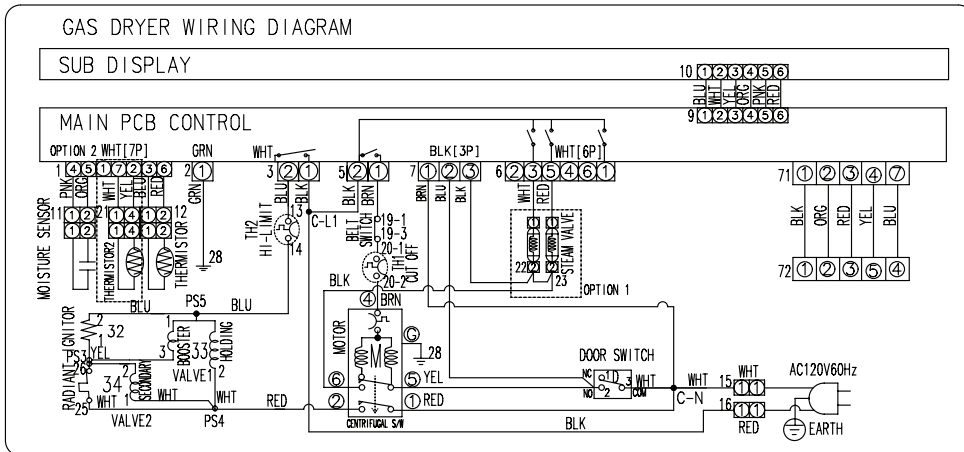


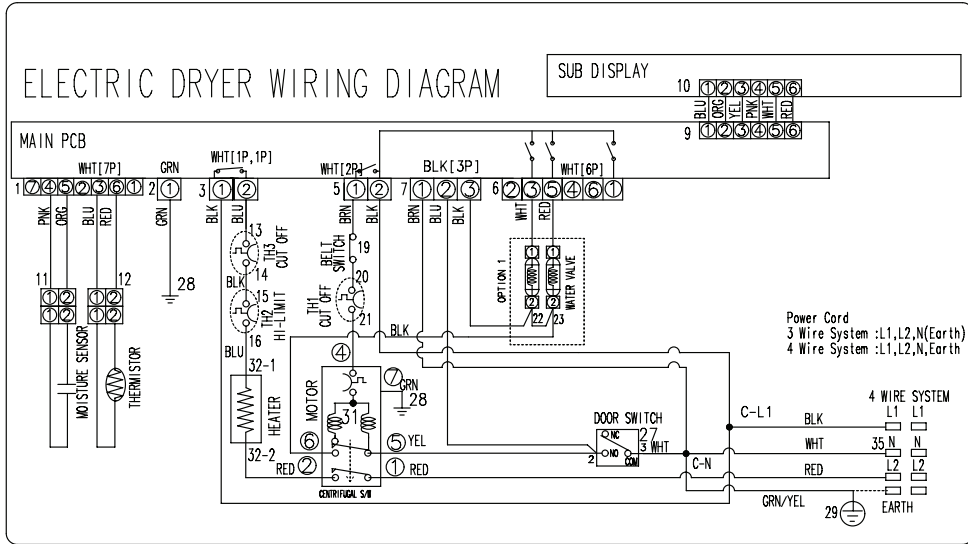
SCHÉMA DE CÂBLAGE

⚠ Avertissement

Afin d'éviter tout risque d'électrocution légère ou mortelle, débranchez le sèche-linge avant de le réparer, sauf si le test nécessite sa mise sous tension.

SCHÉMA DE CÂBLAGE

DV42H5400*, DV42H5200*, DV42H5000*



**SAMSUNG**

SECADORA

Información técnica

AVISO DE SEGURIDAD IMPORTANTE – “Sólo para técnicos” Esta hoja de datos de servicio está destinada a personas que tengan experiencia eléctrica, electrónica y mecánica, así como conocimientos generales considerados aceptables en el servicio de reparación de aparatos. Cualquier intento de hacer reparaciones importantes podría causar lesiones físicas o daños materiales. Ni el fabricante ni el vendedor se hacen responsables, ni asumen ninguna obligación legal por lesiones o daños de cualquier tipo derivados del uso de esta hoja de datos.

- Dada la posibilidad de sufrir lesiones físicas o daños materiales, comuníquese siempre con un técnico autorizado para realizar el mantenimiento de esta unidad o para repararla.
- Consulte el Manual de servicio (DV45H*, DV42H*) para obtener instrucciones detalladas de instalación, funcionamiento, prueba, solución de problemas y desarmado de la unidad.



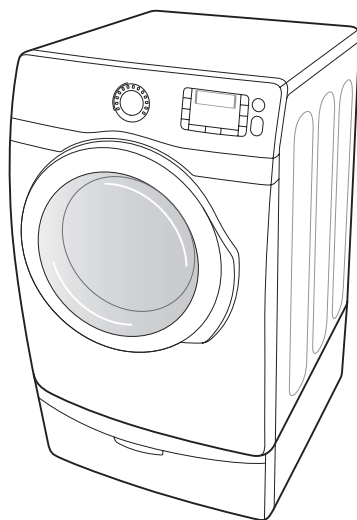
PRECAUCIÓN

Toda la información de seguridad debe seguirse conforme al Manual de servicio de DV45H*, DV42H*.



ADVERTENCIA

Para evitar riesgos de descarga eléctrica, lesiones o muerte, desconecte el cable de alimentación de la secadora a menos que la prueba del electrodoméstico requiera que este esté enchufado.



Nro. de código: DC68-03382A_MES

ALINEACIÓN Y AJUSTES

ADVERTENCIA

Para evitar riesgos de descarga eléctrica, lesiones o muerte, desconecte el cable de alimentación de la secadora a menos que la prueba del electrodoméstico requiera que este esté enchufado.

CÓDIGOS DE ERROR Y DE DIAGNÓSTICO

Cuando ocurre un error suena una melodía durante 5 segundos y en la pantalla se muestra uno de los errores siguientes.

Error mostrado	Descripción	Acción correctiva
tE	La resistencia del termistor es muy baja o muy alta.	Verifique: <ul style="list-style-type: none">- Filtro para pelusas obstruido.- Sistema de ventilación restringido.- La resistencia del termistor.
dE	La secadora funciona con la puerta abierta	Verifique: <ul style="list-style-type: none">- Cierre la puerta y ponga en marcha la secadora.- Afloje o abra los terminales de los cables del circuito del sensor de la puerta.
dF	Interruptor puerta no válido	Verifique: <ul style="list-style-type: none">- Afloje o abra los terminales de los cables del circuito del sensor de la puerta.
bE2	Estado no válido de clave	Verifique: <ul style="list-style-type: none">- Circuito clave corto, o no, de la PCB de la pantalla.
FE	Frecuencia de fuente de alimentación no válida	Verifique: <ul style="list-style-type: none">- No se utiliza frecuencia de fuente de alimentación regular- Circuito del sensor de frecuencia de alimentación no válido
9E1	Problema con el control electrónico (falla de sobrevoltaje)	Verifique: <ul style="list-style-type: none">- La PCB y el arnés de cables.- La alimentación eléctrica.
AE	Problema con el control electrónico (falla de comunicación)	Verifique: <ul style="list-style-type: none">- La PCB y el arnés de cables.- Reemplace la PCB.
EEE	Estado no válido de la comunicación Eeprom	Verifique: <ul style="list-style-type: none">- La PCB con circuito Eeprom.
HE	Temperatura de calentamiento no válida al poner en funcionamiento la secadora	Comuníquese con el servicio al cliente

ALINEACIÓN Y AJUSTES

ADVERTENCIA

Para evitar riesgos de descarga eléctrica, lesiones o muerte, desconecte el cable de alimentación de la secadora a menos que la prueba del electrodoméstico requiera que este esté enchufado.

MODO DE PRUEBA

Modo de visualización de datos

Cómo ingresar:

- En el modo normal, presione **Drylevel (Nivel secado)** → **Time (Hora)** → **Temp (Temperatura)** → **Time (Hora)** antes de 2 segundos para acceder al modo de visualización.
- Para cambiar de modo, use el disco selector de ciclos.

Explicación del Modo de visualización de datos:

- Modo de visualización 1: versión micom principal
- Modo de visualización 2: versión micom pantalla
- Modo de visualización 3: versión módulo táctil
- Modo de visualización 4: valor opcional
- Modo de visualización 5: datos de temperatura
- Modo de visualización 6: promedio de temperatura durante 1 minuto
- Modo de visualización 7: datos de la temperatura para la detección de la obstrucción de la ventilación
- Modo de visualización 8: promedio de datos del sensor táctil durante 1 minuto
- Modo de visualización 9: conteo de ciclos

Instalación inteligente

Permite al personal de servicio verificar si la secadora está instalada correctamente.

Para acceder a este modo

Encienda el producto y mantenga presionada la tecla **Adjust Time Up + Temp (Ajustar más tiempo + Temperatura)** durante 7 segundos.

En la pantalla se muestra el mensaje "SC".

1. Verificación del sensor táctil

Aceda al modo de instalación inteligente y abra la puerta. En la pantalla se muestra el estado del sensor táctil.

0: sensor táctil abierto

1: sensor táctil cortocircuitado



Ponga un paño húmedo sobre el sensor táctil para mostrar "1". Al levantar el paño se muestra "0".

2. Verificación del motor y del calentador

Una vez completada la verificación del sensor táctil, presione el botón Start (Inicio) para acceder al modo de verificación. Completada la verificación, los resultados se muestran en la pantalla.

OK: el motor y el calentador funcionan correctamente.

HE: el motor y el calentador no funcionan correctamente.

Para salir del modo de instalación inteligente, apague el producto.

Modo de recordatorio de error

El modo Error Recall (Recordatorio de error) recuerda a los usuarios el último error que se mostró.

Mantenga presionadas las teclas **Wrinkle prevent (Prevención de arrugas) + Dry Level (Nivel de secado)** durante más de 7 segundos para acceder a este modo. En el modo Error Recall (Recordatorio de error) se muestra el último error ocurrido. Si no hay ningún error reciente, no se muestra nada.

ALINEACIÓN Y AJUSTES

ADVERTENCIA

Para evitar riesgos de descarga eléctrica, lesiones o muerte, desconecte el cable de alimentación de la secadora a menos que la prueba del electrodoméstico requiera que este esté enchufado.

DIAGNÓSTICO DE PROBLEMAS

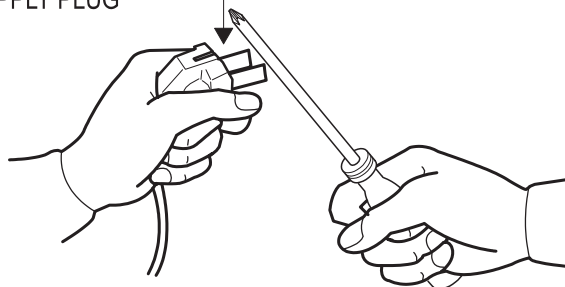
- Puesto que la estructura de la secadora micom es compleja, puede ser necesario contactar al servicio técnico.
La siguiente información está elaborada para el diagnóstico exacto de los problemas y a modo de guía de reparación.

Precauciones durante la reparación y el reemplazo de piezas

Siga las siguientes instrucciones para el diagnóstico de los problemas y el reemplazo de las piezas.

- 1) Dado que ciertos componentes electrónicos se dañan con la electricidad estática presente en el cuerpo humano o en las partes de la secadora hechas con resina, aisle su cuerpo o elimine la diferencia de potencial entre el cuerpo humano y la secadora conectando el enchufe del cable de alimentación antes de trabajar con la PCB.

POWER SUPPLY PLUG



- 2) Dado que el conjunto de la PCB se encuentra diseñado de manera tal de no plantear problemas, no lo reemplace por un diagnóstico erróneo; siga el procedimiento indicado en el diagnóstico de problemas cuando micom no funcione con normalidad.

SOLUCIÓN DE PROBLEMAS

ADVERTENCIA

Para evitar riesgos de descarga eléctrica, lesiones o muerte, desconecte el cable de alimentación de la secadora a menos que la prueba del electrodoméstico requiera que este esté enchufado.

Nº	Problema	Solución
1	No se enciende o no se pone en funcionamiento	<ul style="list-style-type: none"> • Todos los cables están conectados en sus terminales correspondientes. • La secadora está enchufada. • Fusible quemado o disyuntor dañado. • Interruptor puerta funcional... puerta cerrada. Verifique código de error 3 (consulte la tabla de definición de códigos) • Disco selector Start/Pause (Inicio/pausa) funcional. • Panel de control operacional. • Correa suelta o rota y funciona interruptor de correa. • Motor de accionamiento funcional. • Verifique la resistencia de bobinado del motor: 2.88 ohmios entre pines 3 y 4, 3,5 ohmios entre pines 4 y 5.
2	Motor funciona/tambor no gira	<ul style="list-style-type: none"> • Correa suelta o rota/dañada. • Resorte tensión del rodillo demasiado flojo o estirado. • Polea del rodillo atascada o trabada.
3	Funciona unos minutos y se detiene	<ul style="list-style-type: none"> • Acumulación de pelusa alrededor del motor de accionamiento. • Voltaje bajo. • Impulsor del ventilador bloqueado en el gabinete del ventilador. • Motor de accionamiento - contactos del interruptor de arranque clavados.
4	Quema fusibles o dispara el disyuntor	<ul style="list-style-type: none"> • ¿La correa está bien conectada? • ¿El bobinado del motor es continuo? (Bobinado del rotor, bobinado del estátor, generador) • ¿El protector del motor es normal? • Si no encuentra los puntos anteriores, el montaje de la PCB no es correcto. Reemplácela.
5	Quema fusibles o dispara el disyuntor (modelo de gas)	<ul style="list-style-type: none"> • Durante el encendido la secadora extraerá X amperios. Con el quemador ENCENDIDO, la secadora extraerá X amperios. Si el amperaje es superior, el cableado de la casa, la caja de fusibles o el disyuntor podrían fallar. • El arnés del deflagrador está flojo y cortocircuitado en la base. • Cableado incorrecto o cable de tierra cortocircuitado. • Bobinado del motor de accionamiento cortocircuitado en la toma de tierra.
6	No calienta (el motor funciona)	<p>Elemento de calentamiento abierto.</p> <ul style="list-style-type: none"> • Termostato de límite alto se dispara fácilmente o está abierto. • Termostato de regulación se dispara fácilmente o está abierto. • Interruptor de membrana abierto. • Verifique el termistor.
7	No seca Mala ignición del gas en modelo de gas	<p>Cuando la secadora funciona en el ciclo de secado con calor, el deflagrador se debe activar y el quemador se debe encender antes de 45 segundos a 120 V CA. Normalmente uno de estos tres síntomas señalan la falla de un componente de este sistema:</p>

SOLUCIÓN DE PROBLEMAS

ADVERTENCIA

Para evitar riesgos de descarga eléctrica, lesiones o muerte, desconecte el cable de alimentación de la secadora a menos que la prueba del electrodoméstico requiera que este esté enchufado.

Nº	Problema	Solución
8	El deflagrador no se enciende	Si el deflagrador no calienta, apague la alimentación y use un ohmímetro para verificar: <ul style="list-style-type: none"> • Sensor de llama abierto • Deflagrador abierto • Bobina de inducción cortocircuitada • Cableado abierto • Interruptor del motor incorrecto (suministro neutro) • Sin alimentación del control (suministro L1)
9	Deflagrador enciende - No hay ignición del gas	Si el deflagrador calienta pero no se enciende la llama del quemador principal, apague la alimentación y use un ohmímetro para verificar: <ul style="list-style-type: none"> • Bobina secundaria abierta • Bobina de retención abierta • Arnés del cable abierto • Sensor de llama trabado (casi cerrado)
10	El gas se enciende pero la llama se extingue	Si hay una ignición normal pero la llama se extingue pasados unos momentos, verifique: <ul style="list-style-type: none"> • Los contactos del sensor radiante se han abierto prematuramente. • Un resorte flojo de la válvula del gas se puede abrir cuando un temperatura alta lo somete a tensión. • Termostato de límite alto frágil • Mala ventilación • Sellos del tambor en mal estado
11	Secado incorrecto ropa arrugada textura áspera excesivo tiempo de secado	<ul style="list-style-type: none"> • El filtro para pelusas no está limpio. • Hay obstrucciones en el drenaje • La puerta de regulador de la tapa de drenaje exterior está trabada. • Drenaje demasiado largo, demasiados codos, instalado conducto de drenaje flexible. • Poca entrada de aire disponible para la secadora. • Velocidad del tambor incorrecta. La correa del tambor resbala. • Impulsor del ventilador obstruido; verifique que no haya materiales extraños en el área del ventilador. • Carga excesiva en la secadora. • Verifique composición en etiquetas de la ropa y ciclo seleccionado. • Ropa demasiado húmeda por centrifugado insuficiente de la lavadora.
12	Ruidos y/o vibraciones	<ul style="list-style-type: none"> • Golpeteos. Verifique si el deflector del tambor está flojo, los rodillos posteriores del tambor están desgastados o mal alineados, el tambor está abollado o hay rebabas de soldadura en el tambor. • Tictac. Verifique si el arnés del cableado está flojo o hay algún objeto atrapado en el área de la rueda del ventilador. • Chirridos. Verifique si la junta de mampara frontal o posterior está fuera de lugar o los rodamientos frontales del tambor están desgastados. • Retumbos. Verifique si la rueda del ventilador roza con el gabinete del ventilador o si los rodamientos del motor están desgastados. • Chasquidos o chirridos. Verifique si la correa está pegajosa o raída.

SOLUCIÓN DE PROBLEMAS

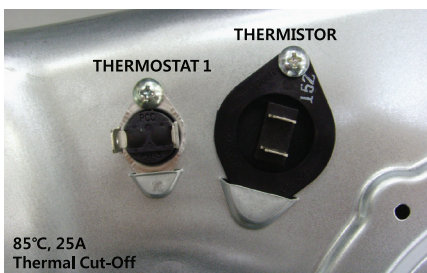
⚠ ADVERTENCIA

Para evitar riesgos de descarga eléctrica, lesiones o muerte, desconecte el cable de alimentación de la secadora a menos que la prueba del electrodoméstico requiera que este esté enchufado.

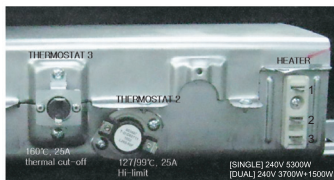
PROCEDIMIENTO DE PRUEBA DE LOS COMPONENTES

Prueba de los componentes eléctricos (con ohmímetro)

- Resistencia del termistor 10K Ω @ 25 °C 77 °F
- Resistencia de termostato 1 < 1 Ω



- Resistencia de termostato 3 < 1 Ω
- Si la resistencia es infinita, reemplace el termostato 3.
- Resistencia de termostato 2 < 1 Ω
- Si la resistencia es infinita, reemplace el termostato 2.
- [DOBLE] Resistencia del calentador 13 Ω (PIN 2-3)
Resistencia del calentador 34 Ω (PIN 1-2)
- Si la resistencia es infinita, reemplace el calentador.
- [ÚNICO] Resistencia del calentador 10 Ω (PIN 1-3)
- Si la resistencia es infinita, reemplace el calentador.

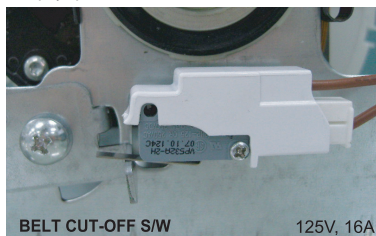


- Medición de la resistencia de los siguientes terminales

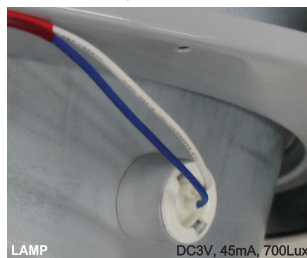
- Interruptor puerta: apagado
Terminal: "COM" - "NC" (1-3) < 1 Ω
Terminal: "COM" - "NO" (1-2) : $\infty \Omega$
- Interruptor puerta: On (Encendido)
Terminal: "COM" - "NC" (1-3) : $\infty \Omega$
Terminal: "COM" - "NO" (1-2) < 1 Ω



- Interruptor eléctrico de correa
- Apertura palanca: Valor de la resistencia < 1 Ω
- Empuje palanca: Valor de la resistencia: $\infty \Omega$



- Resistencia de la lámpara: $\infty \Omega$, (-) : AZU (+) : BLA



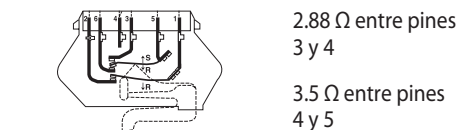
- Motor (Electrónico y GAS)

Contactos

Función	1M	2M	3M	5M	6M
Inicio			●————●		
Funcionamiento	●————●			●————●	

- = Contacto cerrado

Interruptor centrífugo (motor)

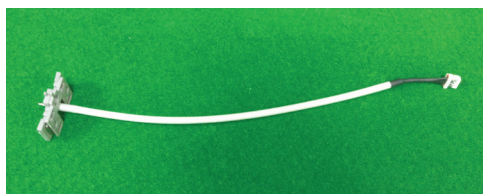


SOLUCIÓN DE PROBLEMAS

⚠ ADVERTENCIA

Para evitar riesgos de descarga eléctrica, lesiones o muerte, desconecte el cable de alimentación de la secadora a menos que la prueba del electrodoméstico requiera que este esté enchufado.

TERMISTOR



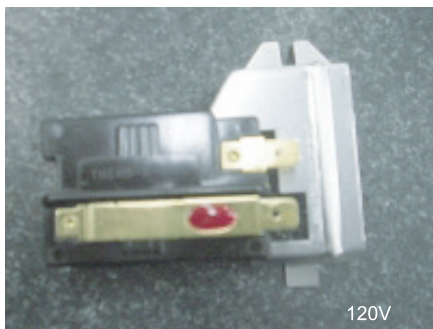
238.23 Ω a 25 °C 77

MODELOS A GAS

Sensor radiante (10RS)

Valor de la resistencia < 1 Ω

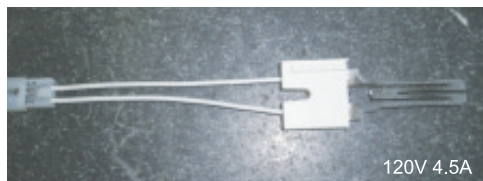
Si la resistencia es infinita, reemplace el sensor radiante



Deflagrador (101D)

Valor de la resistencia 40~400 Ω

Si la resistencia es infinita, reemplace el deflagrador



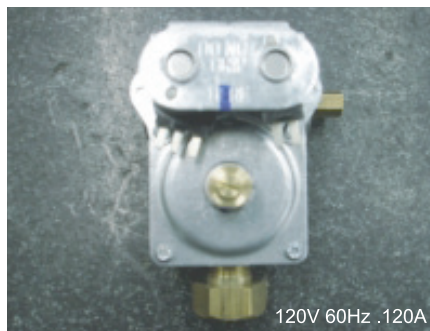
Válvula del gas (25M01A)

Válvula 1-2 : Valor de la resistencia aprox. 1365 K Ω

Válvula 1-3 : Valor de la resistencia aprox. 560 K Ω

Válvula 4-5 : Valor de la resistencia aprox. 1325 K Ω

Si la resistencia es infinita, reemplace la válvula



Termostato (60T21 límite alto) 230 F-50 F

Valor de la resistencia < 1 Ω

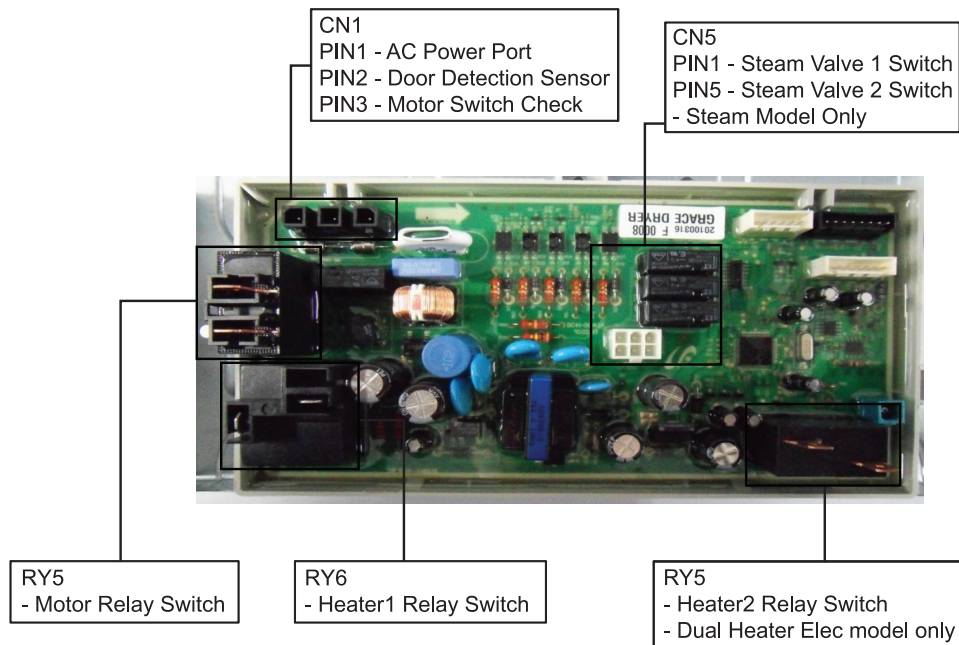
Si la resistencia es infinita, reemplace el termostato



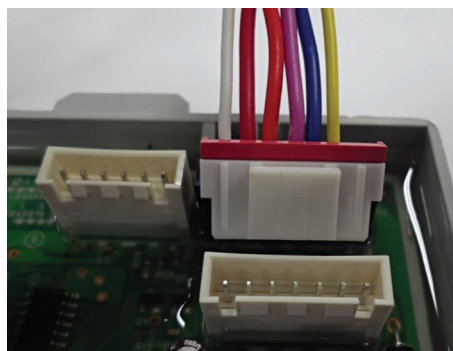
SOLUCIÓN DE PROBLEMAS

⚠ ADVERTENCIA

Para evitar riesgos de descarga eléctrica, lesiones o muerte, desconecte el cable de alimentación de la secadora a menos que la prueba del electrodoméstico requiera que este esté enchufado.



Verificación de las barras del sensor y el sensor de la temperatura



Barras del sensor - Desconecte el arnés y pruebe pin 4 de cable rosa en pin 5 de cable naranja.

Aprox. $\infty \Omega$ sin ropa

Aprox. $190 \Omega \pm 10 \%$ con ropa húmeda

Termistor de los ciclos 1 - Desconecte el arnés y pruebe pin 3 de cable azul en pin 6 de cable rojo.

Aprox. $10 \text{ K} \Omega$ a $25 \text{ }^\circ\text{C}/77 \text{ }^\circ\text{F}$

Termistor de ventilación 2 (solo modelo con sensor de ventilación) - Desconecte el arnés y pruebe pin 2 de cable amarillo en pin 7 de cable blanco.

Aprox. $238.23 \text{ K} \Omega$ a $25 \text{ }^\circ\text{C}/77 \text{ }^\circ\text{F}$

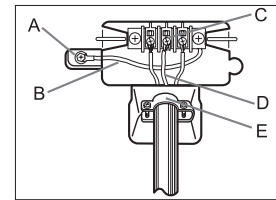
SOLUCIÓN DE PROBLEMAS

⚠ ADVERTENCIA

Para evitar riesgos de descarga eléctrica, lesiones o muerte, desconecte el cable de alimentación de la secadora a menos que la prueba del electrodoméstico requiera que este esté enchufado.

Conexiones de sistemas de 3 CABLES

- A. Conector a tierra externo
- B. Cable a tierra neutro (verde/amarillo)
- C. Tornillo central de color plateado del bloque de terminales
- D. Cable neutro (cable blanco o central)
- E. Protección contra los tirones con certificación UL de 3/4" (1.9 cm)
 1. Afloje o retire el tornillo central del bloque de terminales.
 2. Conecte el cable neutro (cable blanco o central) del cable de alimentación a la terminal de tornillo central de color plateado del bloque de terminales. Ajuste el tornillo.
 3. Conecte los demás cables a los tornillos externos del bloque de terminales. Ajuste los tornillos.
 4. Ajuste los tornillos con dispositivo de alivio de tensión.
 5. Inserte la lengüeta de la cubierta del bloque de terminales en la ranura del panel posterior de la secadora.
Asegure la cubierta con un tornillo de sujeción.



Si realiza la conversión del sistema eléctrico de 4 cables a 3 cables, debe volver a conectar la cinta de conexión a tierra al soporte del bloque de terminales para conectar a tierra el armazón de la secadora al conductor neutro.

Conexiones de sistemas de 4 CABLES

- A. Conector a tierra externo
- B. Cable verde o de cobre desnudo del cable de alimentación
- C. Protección contra los tirones con certificación UL de 3/4" (1.9 cm)
- D. Tornillo central de color plateado del bloque de terminales
- E. Cable a tierra neutro (verde/amarillo)
- F. Cable neutro (cable blanco o central)
 1. Retire el tornillo del conector a tierra externo.
 2. Conecte el cable a tierra (verde o sin cubierta) del cable de alimentación al tornillo del conector a tierra externo. Si desea conectar B (cable de cobre verde o desnudo del cable de alimentación) al terminal neutro sin montarlo en A (conexión a tierra del gabinete), llame al servicio técnico.
 3. Afloje o retire el tornillo central del bloque de terminales.
 4. Conecte el cable neutro (cable blanco o central) del cable de alimentación y el cable a tierra del electrodoméstico (verde con franjas amarillas) debajo del tornillo central del bloque de terminales.
 5. Conecte los demás cables a los tornillos externos del bloque de terminales. Ajuste los tornillos.
 6. Ajuste los tornillos con dispositivo de alivio de tensión.
 7. Inserte la lengüeta de la cubierta del bloque de terminales en la ranura del panel posterior de la secadora.
Asegure la cubierta con un tornillo de sujeción.

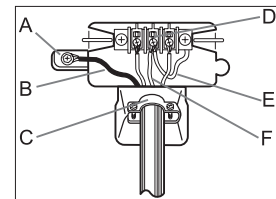


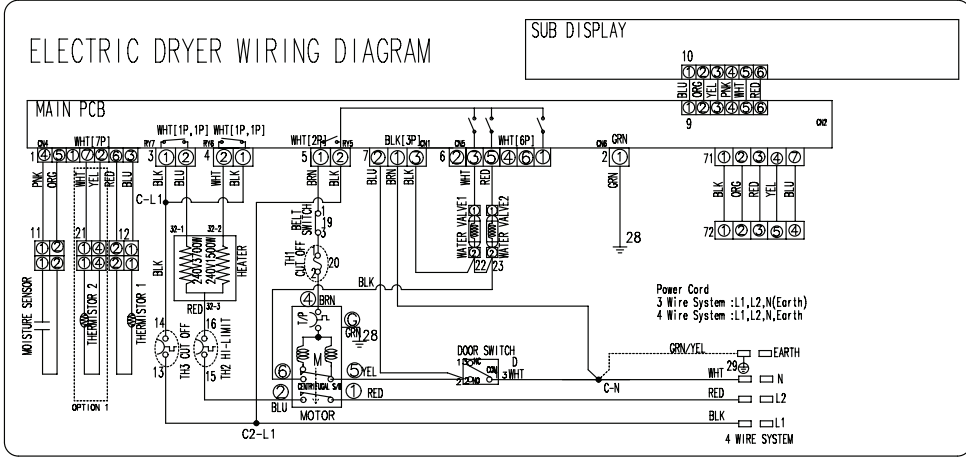
DIAGRAMA DEL CABLEADO

⚠ ADVERTENCIA

Para evitar riesgos de descarga eléctrica, lesiones o muerte, desconecte el cable de alimentación de la secadora a menos que la prueba del electrodoméstico requiera que este esté enchufado.

DIAGRAMA DEL CABLEADO

DV45H6300E*, DV42H5600E*



DV45H6300G*, DV42H5600G*

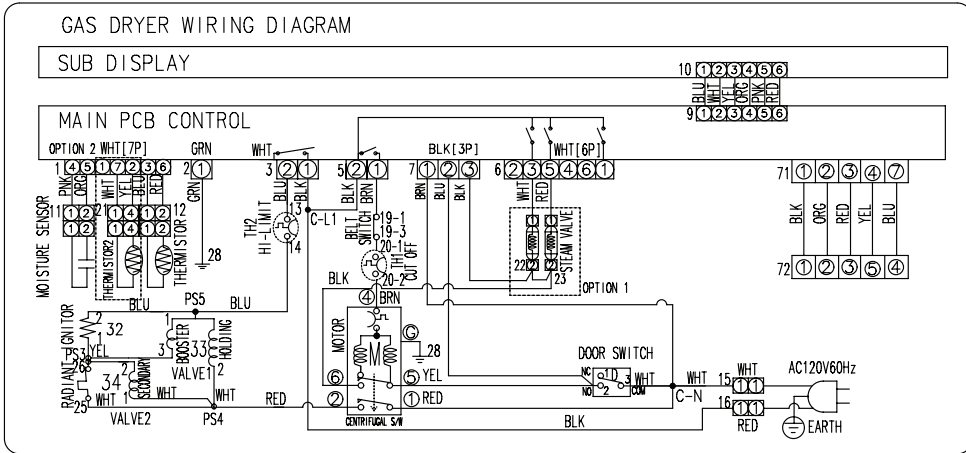


DIAGRAMA DEL CABLEADO

⚠ ADVERTENCIA

Para evitar riesgos de descarga eléctrica, lesiones o muerte, desconecte el cable de alimentación de la secadora a menos que la prueba del electrodoméstico requiera que este esté enchufado.

DIAGRAMA DEL CABLEADO

DV42H5400*, DV42H5200*, DV42H5000*

