

RF4287HARS

28 cu. ft. Counter Height 4-Door Refrigerator with FlexZone™ Drawer

Features

- Large Capacity – 28 cu. ft.
- Twin Cooling Plus System®
- FlexZone™ Drawer with Temperature Control and Smart Divider
- EZ-Open Handle™ on Freezer Door and FlexZone™ Drawer
- Gallon Door Bins
- Premium External Filtered Water and Ice Dispenser
- LED Lighting
- Surround Air Flow
- Power Freeze and Power Cool Options
- Two Humidity-Controlled Crispers
- Tempered Glass Spill-Proof Shelves
- Stainless Steel Accents on Interior Shelving and Door Bins
- Auto Pull-Out Upper Freezer Drawer

Convenience

- CoolTight Door
- Water Filter Indicator
- Door Alarm
- Pizza Pocket



ENERGY STAR® rated:
Rated CEE Tier 1: Most Efficient
562 kWh/yr



Counter Height Design



FlexZone™ Drawer

Available Colors



Stainless Steel
(shown)



White



Black

Signature Features

COUNTER HEIGHT DESIGN

The FlexZone™ Drawer matches the height of the counter top, creating a built-in look that fits seamlessly into the kitchen.

TWIN COOLING PLUS®

- Refrigerator air is kept at higher, near-commercial grade humidity levels to keep perishable fruits and vegetables fresher longer.
- Drier freezer air means less freezer burn for better-tasting frozen foods.

KEEPS YOUR FOOD AND FAMILY ORGANIZED

- Adjustable SmartDivider creates four flexible-size compartments.
- Four customizable temperature settings: meats at 29°F, cold drinks at 33°F, deli/snacks at 37°F, and party dishes at 42°F.
- Convenient, counter-height drawer easily accessible for kids.



Ranked **“Highest in Customer Satisfaction with Refrigerators”**
by J.D. Power and Associates.

SAMSUNG

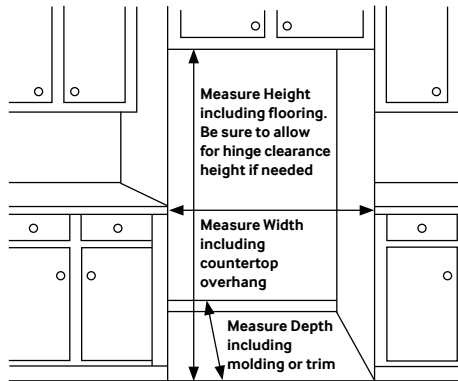
RF4287HARS

28 cu. ft. Counter Height 4-Door Refrigerator with FlexZone™ Drawer

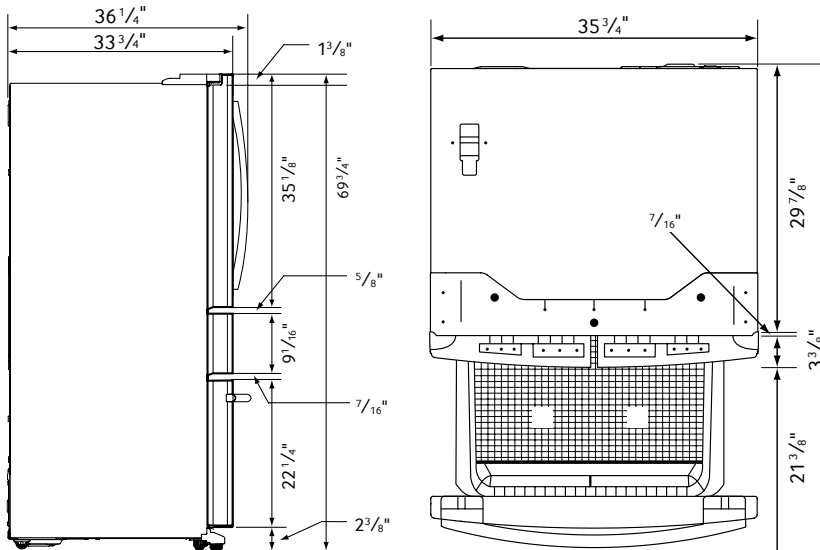
Installing Your Refrigerator

1. Measure the height, width and depth of the opening, making sure to include baseboards, molding tile, countertop overhang, etc. Check to be sure there is enough room to open the door (consider walls, islands or other obstacles when measuring).
2. Refer to illustration below to determine dimensions.
3. Allow 2" of clearance on hinge side of refrigerator when installing next to a wall where handle may make contact.
4. Allow 1" minimum clearance at rear for proper air circulation and water/electrical connections. Allow a 3/8" minimum clearance at sides and top for ease of installation.
5. Ensure each door and entry way in the home is wide enough for the refrigerator to be moved through easily.

Please note: The following dimension and cutout information is for planning purposes only. For complete installation details consult manual packed with product, or download manual on-line at samsung.com.



Dimensions



Total Capacity: 28 cu. ft.

Refrigerator: 16.3 cu. ft.

- Premium External Filtered Water and Ice Dispenser – Crushed or Cubed Ice
- Surround Air Flow
- 2 Humidity-Controlled Crispers
- 5 Tempered Glass Spill-Proof Shelves
- 6 Clear Door Bins
 - Right Door: 2 Gallon Bins and 1 Regular Bin
 - Left Door: 3 Regular Bins
- LED Lighting

FlexZone Drawer: 4.0 cu. ft.

- EZ-Open Handle™
- 4 Temperature Zones with Smart Divider:
 - Meat/Fish (29°F)
 - Cold Drinks (33°F)
 - Deli/Snacks (37°F)
 - Wine/Party Dishes (42°F)

Freezer: 7.7 cu. ft.

- EZ-Open Handle
- 1 Drawer Divider
- In-Door Pizza Pocket
- LED Lighting

Accessories

Water Filter: HAF-CIN

Warranty

One (1) Year All Parts and Labor

Five (5) Years Sealed System Parts and Labor

Product Dimensions & Weight

Dimensions (WxHxD with hinges, handles and doors):

35 3/4" x 69 3/4" x 36 1/4"

Dimensions (WxHxD without hinges and door):

35 3/4" x 68 1/2" x 29 7/8"

Dimensions (WxHxD with hinge and door, no handle):

35 3/4" x 69 3/4" x 33 3/4"

Weight: 361.1 lbs.

Shipping Dimensions & Weight (WxHxD)

Dimensions: 38 5/8" x 75 3/4" x 36 1/4"

Weight: 401.2 lbs.

Color	Model #	UPC Code
Stainless Steel	RF4287HARS	036725569713
White	RF4287HAWP	036725569683
Black	RF4287HABP	036725569690

SAMSUNG

Samsung received the highest numerical score for refrigerators in the proprietary J.D. Power and Associates 2012 Kitchen Appliance Study.SM Study based on 12,615 total responses measuring 17 brands and measures opinions of consumers about their refrigerator obtained new in the past 24 months. Proprietary study results are based on experiences and perceptions of consumers surveyed in January-February 2012. Your experiences may vary. Visit jdpower.com.

Actual color may vary. Design, specifications, and color availability are subject to change without notice. Non-metric weights and measurements are approximate.

©2013 Samsung Electronics America, Inc. 85 Challenger Road, Ridgefield Park, NJ 07660. Tel: 800-SAMSUNG. samsung.com. Samsung is a registered trademark of Samsung Electronics Co. Ltd.