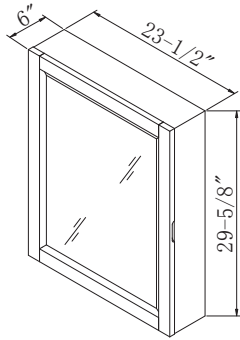
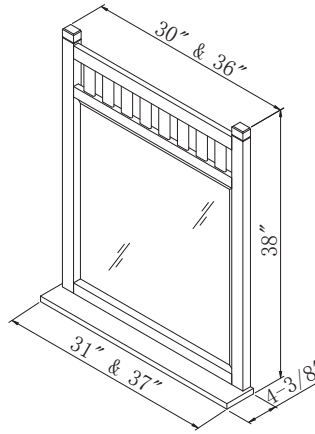




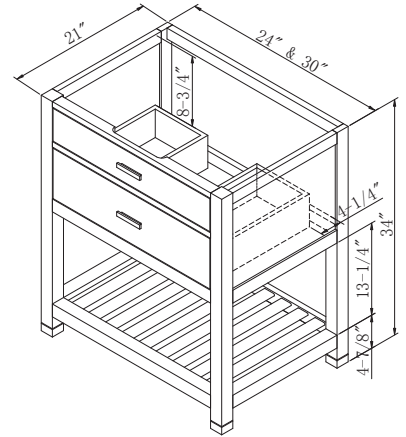
TB34EF
Wall Filler
Strip



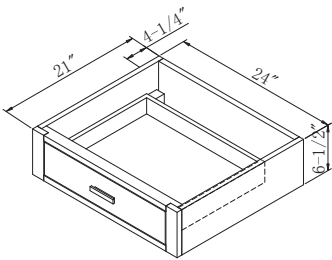
TB2329M
Single Medicine
Cabinet



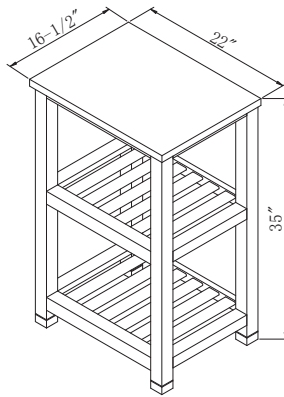
TB3038MR
Mirror
TB3638MR
Mirror



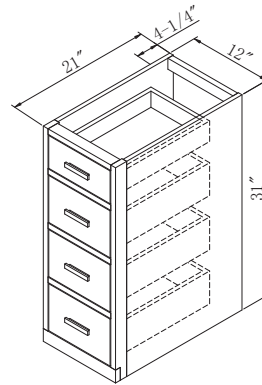
TB2421D 1 Drawer
TB3021D 1 Drawer



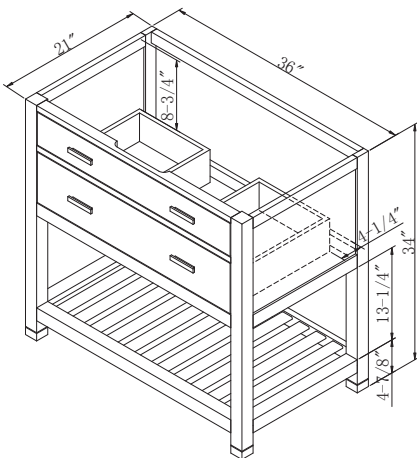
TB2421VKD
1 Drawer



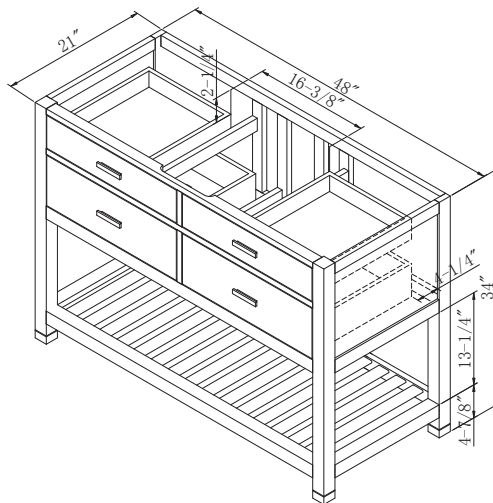
TB2216ET



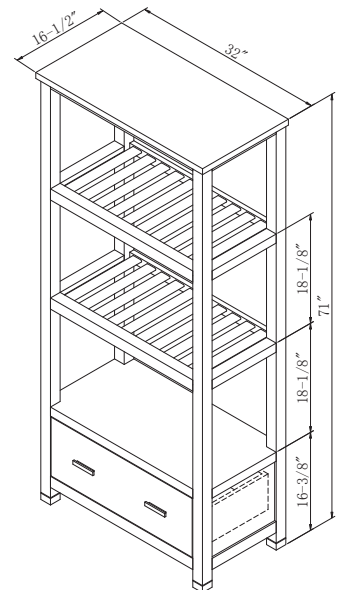
TB1221D
4 Drawers



TB3621D
1 Drawer



TB4821D
4 Drawers



TB3216ET
1 Drawer