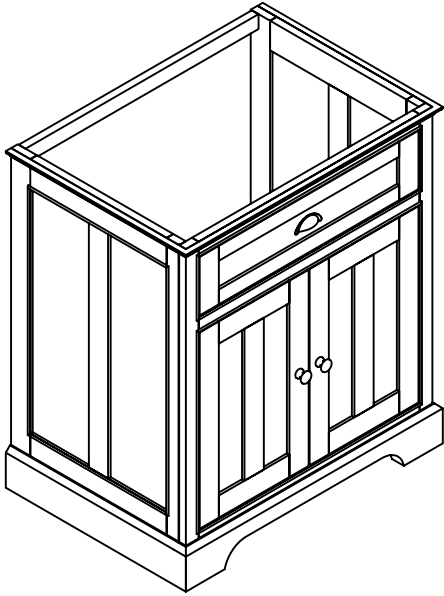
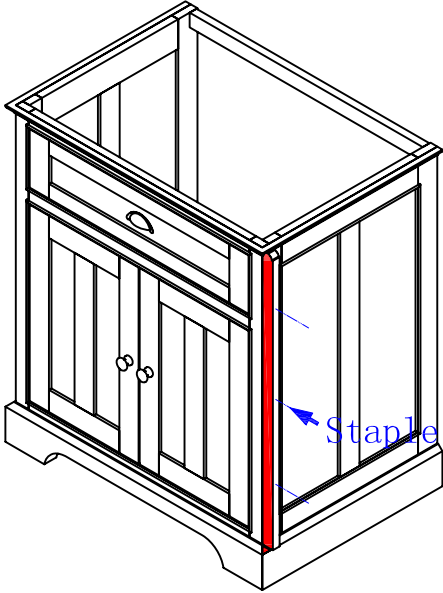


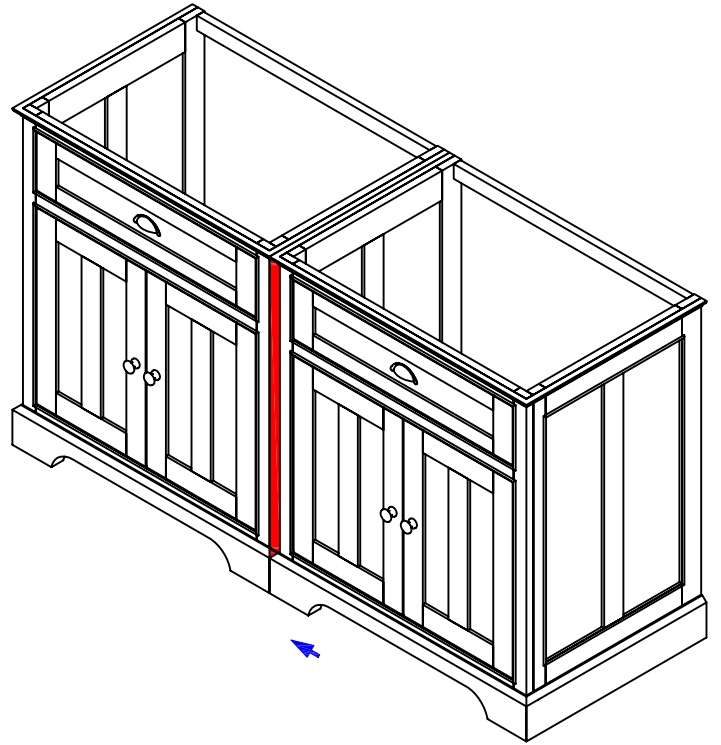
Step 1: To apply glue on this edge



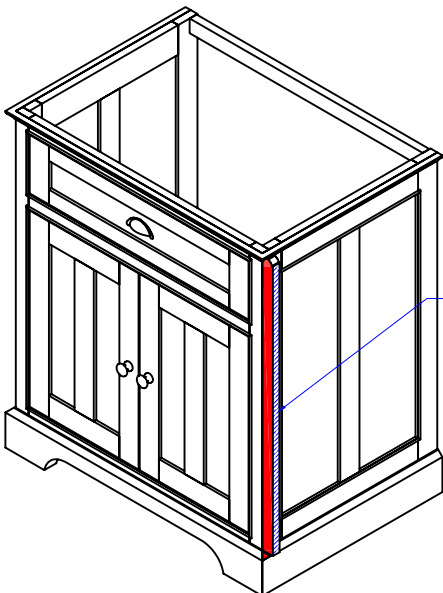
Filler



Step 2: To staple the filler on cabinet



Step 4: Put second cabinet close together



Step 3: To apply glue on other edge of filler