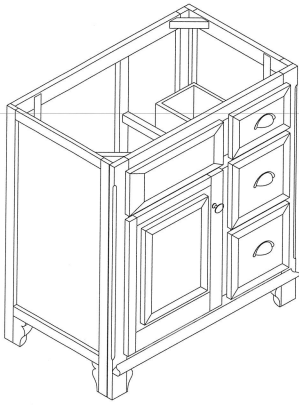


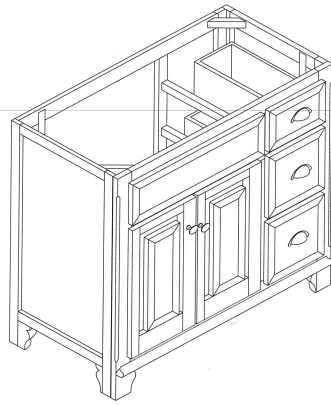
## VANITIES

Solid wood construction featuring a hand applied provincial glazed white finish, solid wood drawer boxes with dovetail construction, dual side mounted full extension drawer glides and cupped bronze matching hardware.



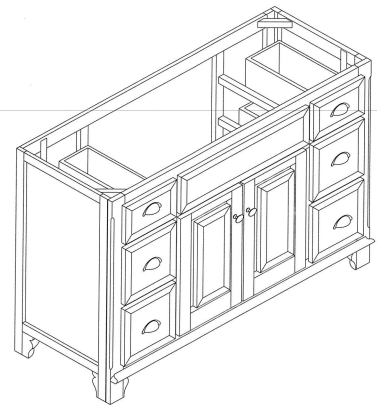
2 Drawers  
1 Door

**VQ3021D**  
30"W x 21"D x 34"H



3 Drawers  
2 Doors

**VQ3621D**  
36"W x 21"D x 34"H

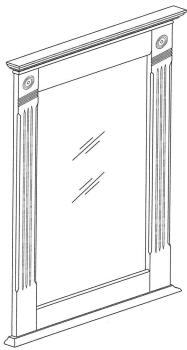


6 Drawers  
2 Doors

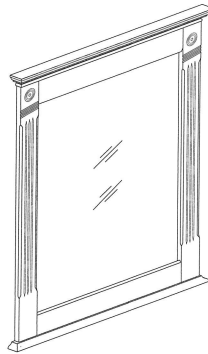
**VQ4821D**  
48"W x 21"D x 34"H

## MIRRORS

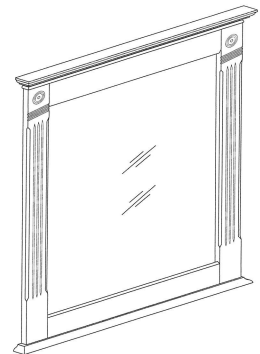
Matching mirrors feature solid wood construction and high quality beveled glass.



**VQ3040MR**  
30"W x 40"H



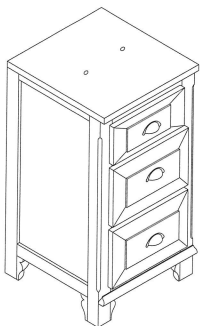
**VQ3640MR**  
36"W x 40"H



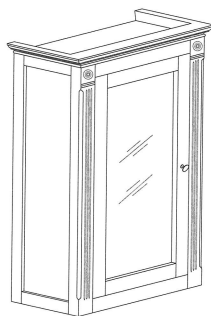
**VQ4840MR**  
48"W x 40"H

## LINEN HUTCH

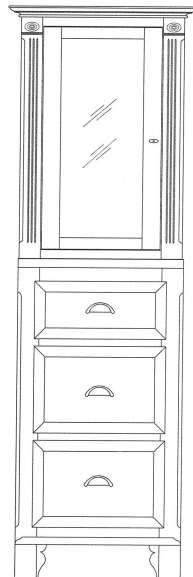
Features textured glass face and two adjustable tempered glass shelves with polished edges.



**VQ1818B**  
18"W x 18"D x 35"H



**VQ1818T**  
21"W x 19 1/2"D x 43 1/2"H



Suggested Usage  
Stack Items to create Linen Hutch

# SAGEHILL DESIGNS

A Division of Sunny Wood Company

*Fine Bath Cabinetry*

14108 Artesia Blvd.  
Cerritos, CA 90703 USA

Tel (562) 926-6533

Fax (562) 926-0561

Email: [info@sagehilldesigns.com](mailto:info@sagehilldesigns.com)