

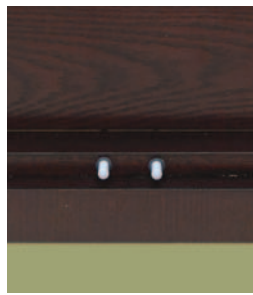
Solid wood drawers and full extension slides.



Rounded mirror frame and beveled glass.



Accenting decorative hardware.



Soft close door mechanisms.



Adjustable levelers.



Stylish rounded cabinet posts.



Ample interior storage shelf and drawer.

P  
O  
R  
T  
A  
F  
I  
N  
O



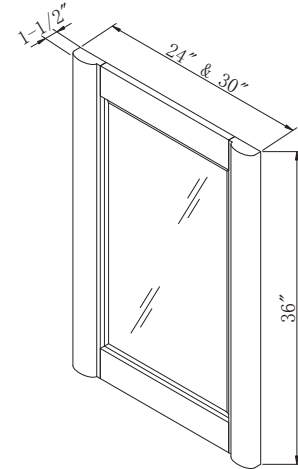
The Portafino Collection by Sagehill Designs is an updated interpretation of modern design with a casual twist.

Pure lines and a clean aesthetic are combined with bold proportions and a rich textured finish that complements today's sophisticated bath interiors without being pretentious.

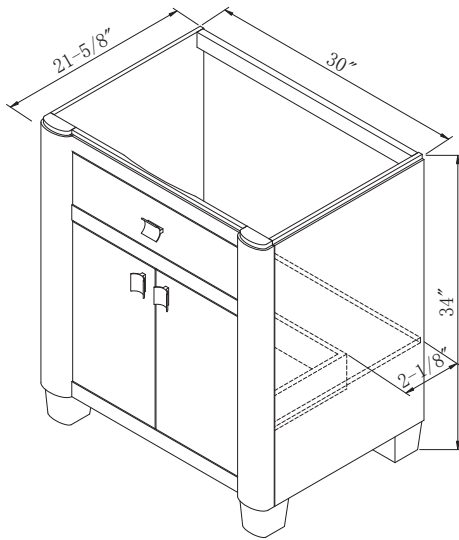
Refined with a casualness that reflects contemporary living allows the Portafino Collection from Sagehill Designs to complement your modern lifestyle.

## Features Include:

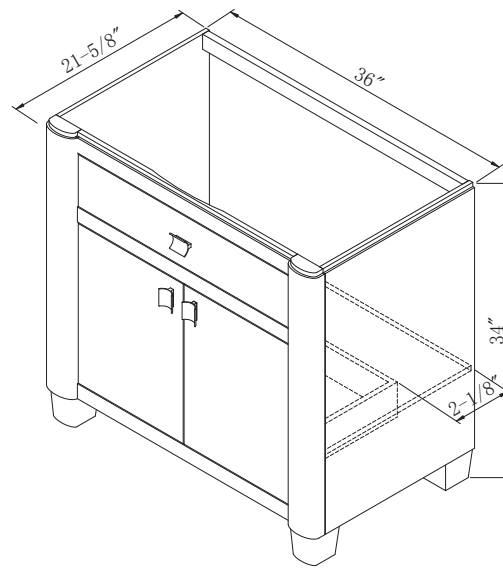
- \* Casual contemporary design elements.
- \* Lightly textured hand-applied finish.
- \* Matching decorative hardware.
- \* Tapered feet and rounded cabinet legs.
- \* Matching mirrors feature beveled glass and matching rounded pilasters.
- \* Adjustable levelers allow for easy installation.



PF2436MR Mirror  
PF3036MR Mirror



PF3021D Vanity



PF3621D Vanity

Sagehill Design's Portafino Collection takes the best of modern design principles, but adds a casualness that allows the cabinets to complement today's more casual lifestyles.

Constructed with select hardwood solids and veneers, Sagehill Design's craftsmen use fine-furniture construction techniques and hand-rub the expertly applied finish which allows the texture of the wood to show through. Ample storage and practical function are not ignored with features like standard adjustable levelers and interior shelves.

Thoughtfully designed in the modernist tradition and refined with a casualness that reflects contemporary living allows the Portafino Collection from Sagehill Designs to complement your modern lifestyle.

# Sagehill Designs

by  
Sunny Wood Company



Copyright 2010: Sagehill Designs. All rights reserved.