

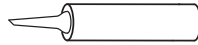
### BEFORE YOU BEGIN

- Observe all local plumbing and building codes.
- Follow these instructions only if it applies to your installation.
- Before installation, carefully inspect it for damage. Return the vanity top to its packaging until you are ready to install it.
- These instructions contain important care and cleaning instructions. Please review these instructions carefully.

### SUGGESTED TOOLS AND MATERIALS



Phillips Screwdriver



Silicon Sealant



Tape Measure



Safety Glasses

### PARTS / HARDWARE INCLUDED



4x



4x



4x



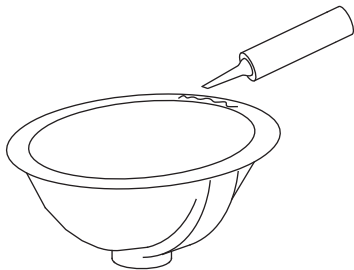
4x

### SINK INSTALLATION



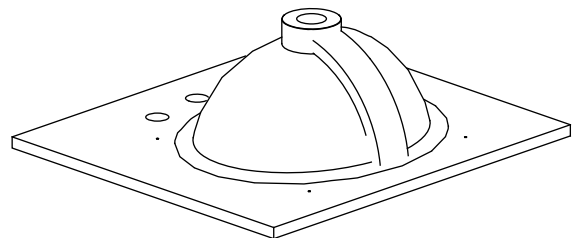
**CAUTION! Risk of product damage. Do not use plumbers putty or oil-based sealers with this vanity top. These products will stain surfaces permanently.**

1



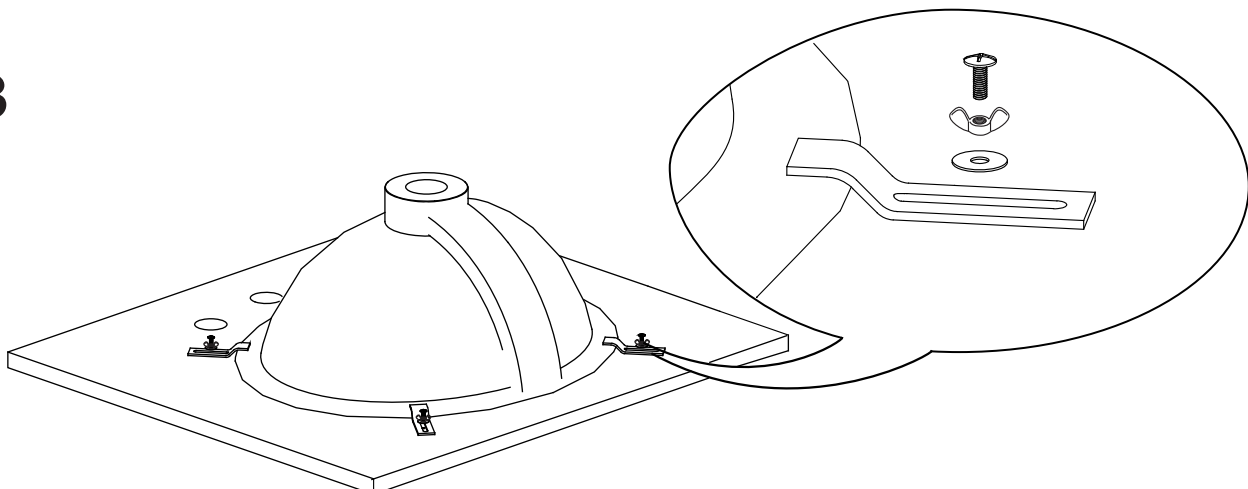
Apply a continuous bead of quality sealant to the surface (rim) of the sink.

2



Turn the vanity upside down and place it on a clean, scratch-resistant surface. Center the sink over the cutout.

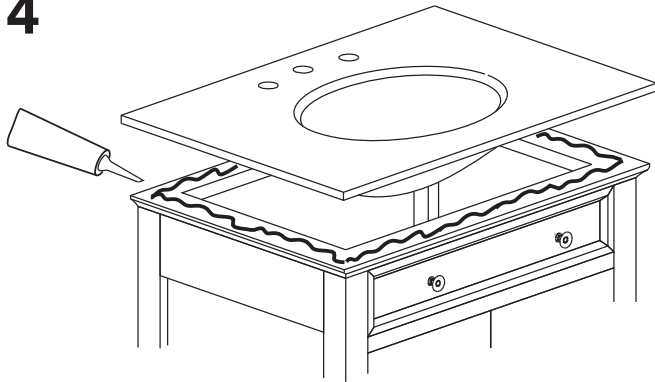
3



Secure the sink to the top using the mounting kit / hardware provided.

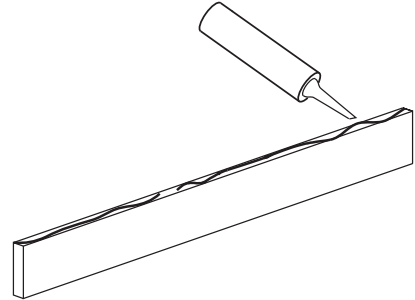
**\*\*NOTE:** Sink style, shape, and cutout on top may vary from the picture above. Instructional Purposes only.

4



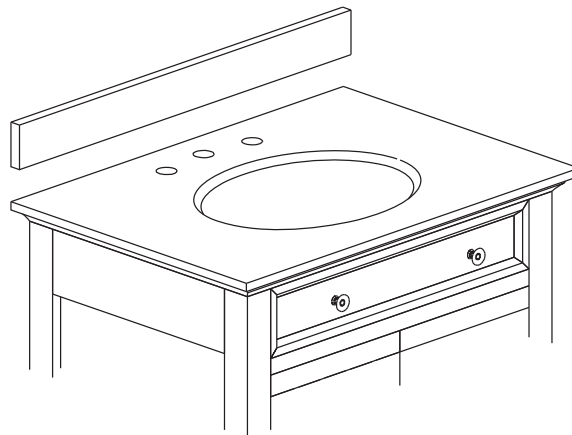
Apply bead of quality sealant evenly along the top of the vanity

5



Apply silicone sealant evenly along the bottom of back splash and wall

6



Finally, place the bottom side of back splash with sealant onto the countertop and check alignment of back splash. Adjust the leg levelers as needed

**\*\* NOTE:** Sink style, shape, cutout on top, and the vanity may vary from the picture above. Instructional purposes only.

### CARE AND CLEANING

- Our countertops are factory sealed with a penetrating sealer. We recommend sealing your countertop before the first use with a natural stone sealer. Refer to the instructions on the stone sealer container for proper application.
- Routine cleaning of the countertop will reduce the need for heavy cleaning and polishing.
- Use a soft cloth after each use to minimize soap scum.
- Never use strong / abrasive cleaners. For general cleaning, use mild soap and water or natural stone cleaners. Do not use abrasive detergents or cleaning pads, which can damage the surface of the stone. Always test your cleaning solution on unnoticeable areas before applying to the entire surface.
- Never let cleaners sit on the surface of the stone for long periods of time.
- Periodically, re-apply the natural stone sealer as warranted by use. Refer to the instructions on the stone sealer container for proper application.