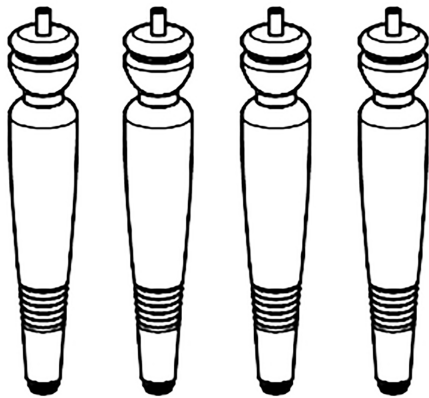


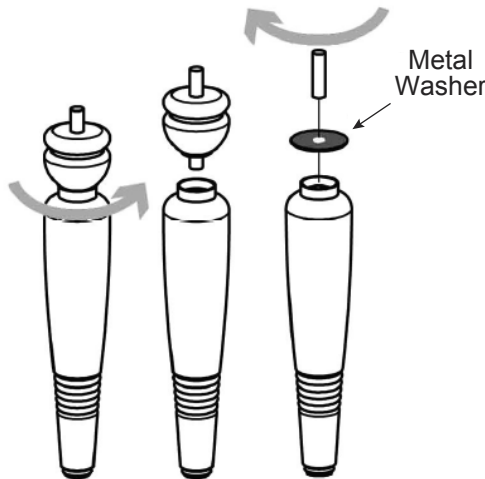
THANK YOU FOR CHOOSING RYVYR

Please take a few minutes to review this manual before you start installation. If you encounter any installation problems, please don't hesitate to contact us. Before you begin, please observe all local building codes. Unpack the new product and inspect for damage. Please ensure that the finished wall is straight and plumb and the floor is flat and perpendicular to the finished wall.

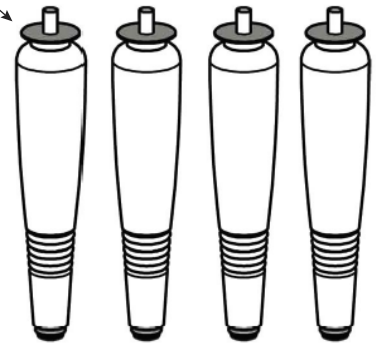
INTEGRAL/UNDERMOUNT SINK APPLICATION



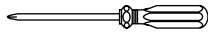
TWIST OFF FOR VESSEL APPLICATION



VESSEL APPLICATION



SUGGESTED TOOLS AND MATERIALS



Phillips Screwdriver



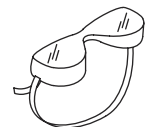
Level



Drill



Tape Measure



Safety Glasses

INSTALLATION INSTRUCTIONS - INTEGRAL/UNDERMOUNT APPLICATION

- Insert legs into the bottom of the vanity with your hands. Hand tighten only!
- Position the vanity against the finished wall. If necessary, turn the leg levelers to achieve level.
- Install the countertop, sink, drain, and faucet according to manufacturer's instructions.

INSTALLATION INSTRUCTIONS - VESSEL APPLICATION

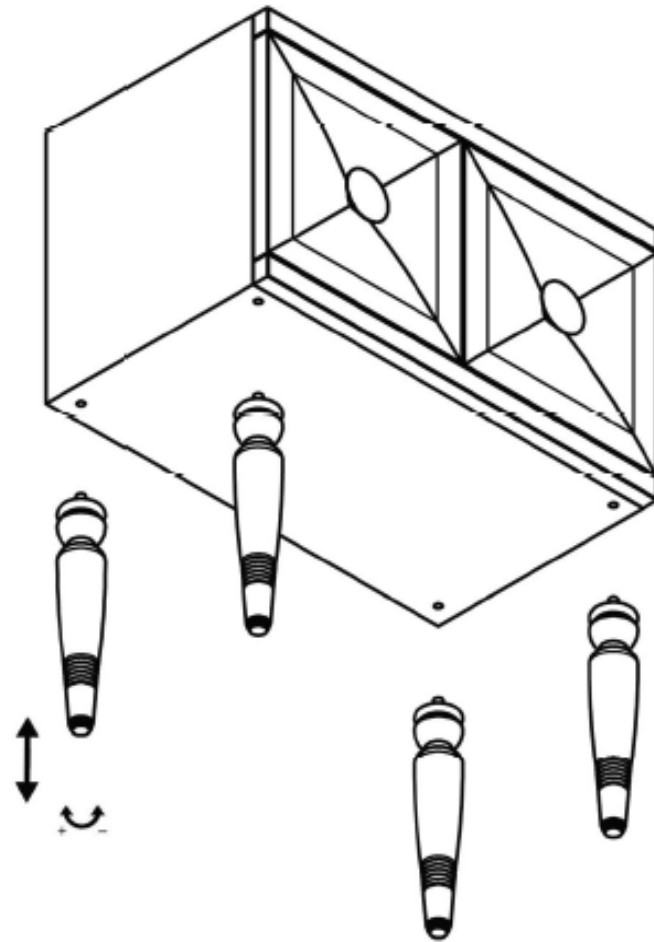
- Insert lower portion of leg into the bottom of the vanity with your hands. Hand tighten only!
- Position the vanity against the finished wall. If necessary, turn the leg levelers to achieve level.
- Install the countertop, sink, drain, and faucet according to manufacturer's instructions.

*** NOTE: When installing with legs, the vanity must still be attached to the wall using a screw and anchor set, or directly into the stud. The legs are decorative and not intended to fully support the vanity.**

CARE AND CLEANING

- To maintain the beauty of the finish, avoid placing the furniture in direct sunlight, as sunlight causes fading. Also avoid extreme changes in temperature by arranging furniture away from radiators, heat and air vents, and air conditioning units. Avoid placing furniture directly under windows. Damage caused by any of the afore mentioned will void the warranty.
- Clean the furniture frequently with a clean, soft, dry, lint-free cloth., as well as polish it on a regular basis. Clean the surface by gently rubbing in the direction of the grain. Avoid using silicone cleaners and waxes.
- Clean up excess water and spills immediately. Use blotting rather than a wiping action. Water left over a long period of time will cause white spots in the finish and the furniture to possibly warp. Please note that some chemicals may damage the finish. Standing water and the use of strong chemicals will void the warranty.

OPTION 1



OPTION 2

