

# RVG1634

GRANITE TOPMOUNT KITCHEN SINK

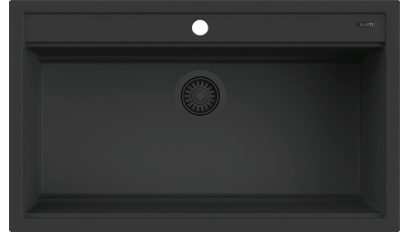
**RUVATI**<sup>®</sup>  
SPECIFICATION SHEET

## MATERIAL

- Solid Granite Composite
- 80% crushed natural granite for extreme strength
- Non-porous and resistant to stains

## FEATURES

- Naturally sound proof
- Will never discolor
- Rounded inside corners

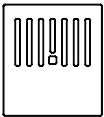


## COLOR OPTIONS

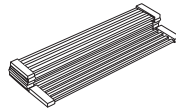
**BK:** Midnight Black

**WH:** Arctic White

## IN THE BOX



Cutting Board  
[RVA1226BK/GR]



Folding Rack  
[RVA1389]



Basket Strainer  
[RVA1038]



Mounting Clips  
[RVA11052]



Cut-out  
Template

## NOMINAL DIMENSIONS

Exterior: 33-7/8" (wide) x 20" (front-to-back)  
Interior Bowl: 31-3/8" (wide) x 15-1/4" (front-to-back)  
Bowl Depth: 7-7/8"  
Minimum Cabinet Size: 36" wide  
Drain Hole Size: 3 1/2"

**Installation Type:**  
Topmount  
**Inside Corners:**  
Rounded  
**Drain Location:**  
Rear Center

**RUVATI USA**

www.ruvati.com

Phone: 1.855.478.8284  
Email: support@ruvati.com

# OPTIONAL ACCESSORIES (SOLD SEPARATELY)



Deep Basket  
Disposal Flange  
[RVA1049ST]

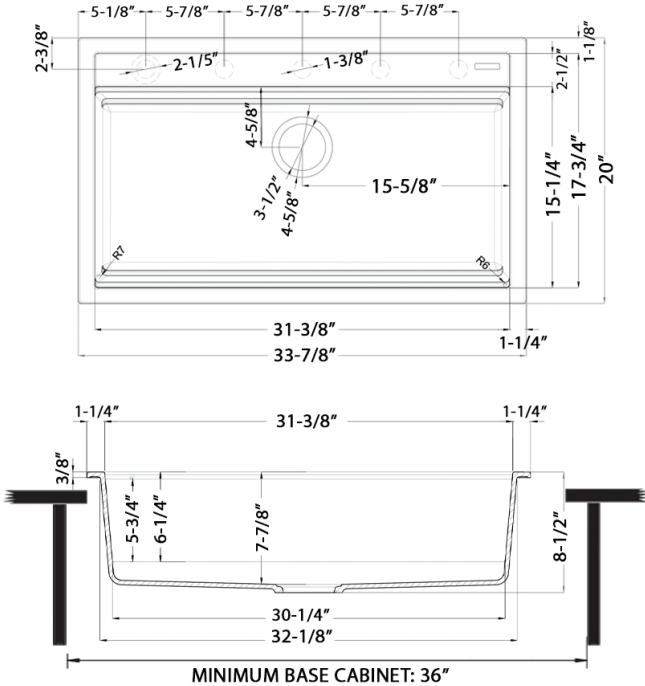


Drain Cover  
[RVA1035]



UPC compliant. Certified by CSA to meet US and Canada plumbing codes.  
Codes compliance: ASME A112.19.3/CSA B45.4

## DIMENSIONS



Register your product at [www.ruvati.com/register](http://www.ruvati.com/register).