

RVG1631

GRANITE TOPMOUNT KITCHEN SINK

RUVATI[®]
SPECIFICATION SHEET

MATERIAL

- Solid Granite Composite
- 80% crushed natural granite for extreme strength
- Non-porous and resistant to stains

FEATURES

- Naturally sound proof
- Will never discolor
- Rounded inside corners

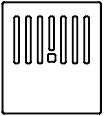


COLOR OPTIONS

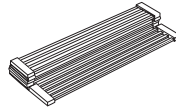
BK: Midnight Black

WH: Arctic White

IN THE BOX



Cutting Board
[RVA1226BK/GR]



Folding Rack
[RVA1389]



Basket Strainer
[RVA1038]



Mounting Clips
[RVA11052]



Cut-out
Template

NOMINAL DIMENSIONS

Exterior: 31-1/8" (wide) x 20" (front-to-back)
Interior Bowl: 28-5/8" (wide) x 15-1/4" (front-to-back)
Bowl Depth: 7-7/8"
Minimum Cabinet Size: 33" wide
Drain Hole Size: 3 1/2"

Installation Type:
Topmount

Inside Corners:
Rounded

Drain Location:
Rear Center

RUVATI USA

www.ruvati.com

Phone: 1.855.478.8284
Email: support@ruvati.com

OPTIONAL ACCESSORIES (SOLD SEPARATELY)



Deep Basket
Disposal Flange
[RVA1049ST]

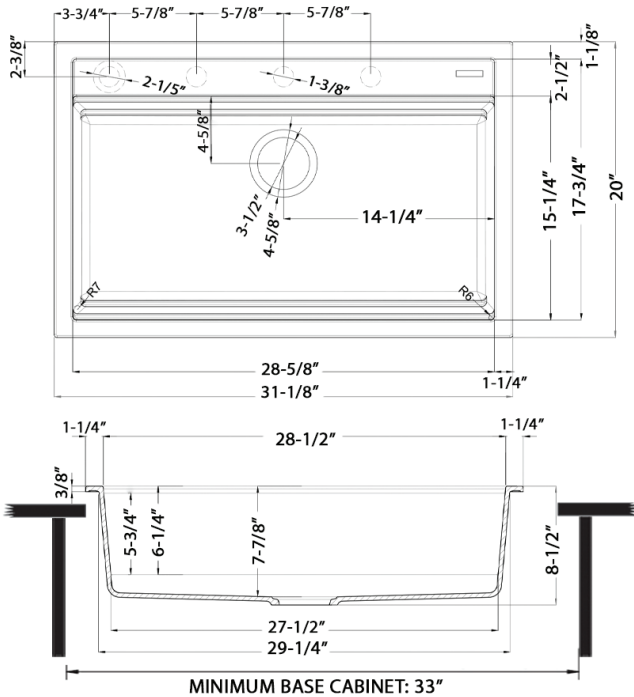


Drain Cover
[RVA1035]



UPC compliant. Certified by CSA to meet US and Canada plumbing codes.
Codes compliance: ASME A112.19.3/CSA B45.4

DIMENSIONS



Register your product at www.ruvati.com/register.