

RVB6744

FREESTANDING BATH TUB

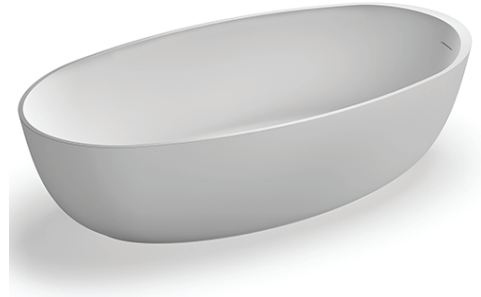
RUVATI[®]
SPECIFICATION SHEET

MATERIAL

- **EPISTONE:** High-quality innovative composite material that produces a hard surface and requires little maintenance.

FEATURES

- **SATIN MATTE POWDER FINISH:** Natural beauty similar to stone and silky to the touch.
- **OVAL SHAPE:** For maximum comfort and easy cleaning.

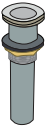


COLOR OPTIONS

WH: White

BK: Black

IN THE BOX



Popup Drain
[RVA6104WH/BK]

NOMINAL DIMENSIONS

Length: 58-7/8"

Width: 27-1/2"

Height: 19-1/2"

Drain Hole Size: 3-1/4"

Installation Type:

Freestanding

Drain Location:

Right Center

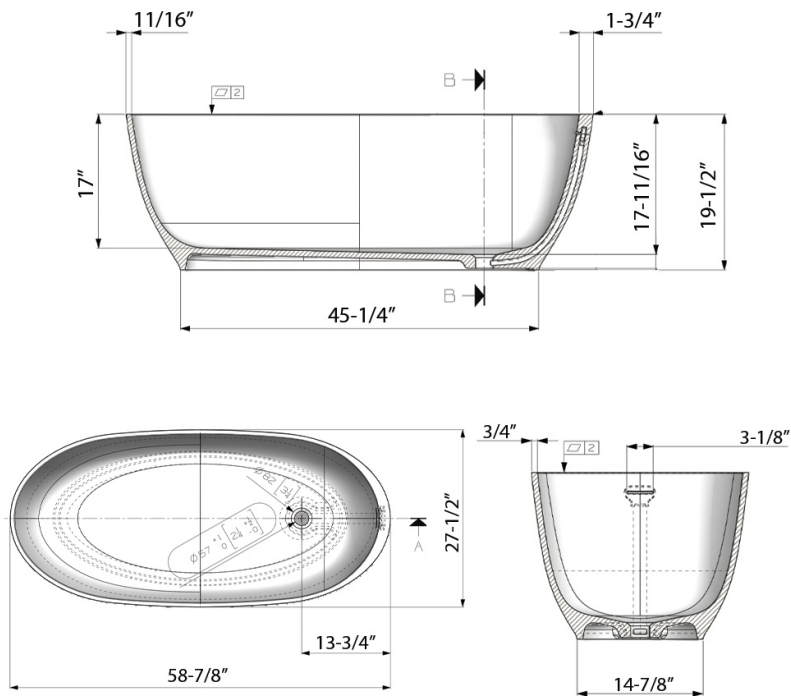
RUVATI USA
www.ruvati.com

Phone: 1.855.478.8284
Email: support@ruvati.com



cUPC certified by IAPMO to meet US and Canada plumbing standards.
Codes compliance: ASME A112.19.3/CSA B45.4

DIMENSIONS



Register your product at www.ruvati.com/register.

RUVATI USA
www.ruvati.com

Phone: 1.855.478.8284
Email: support@ruvati.com