

# RVB2550

BATHROOM VESSEL SINK

**RUVATI**<sup>®</sup>  
SPECIFICATION SHEET

## MATERIAL

- **EPISTONE:** High-quality innovative composite material that produces a hard surface and requires little maintenance.

## FEATURES

- **SATIN MATTE POWDER FINISH:** Natural beauty similar to stone and silky to the touch.
- **OVAL SHAPE:** For maximum comfort and easy cleaning.

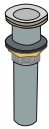


## COLOR OPTIONS

BK: Black

WH: White

## IN THE BOX



Popup Drain  
[RVA5104WH/BK]

## NOMINAL DIMENSIONS

Exterior: 22-3/4" (wide) x 14-5/8" (front-to-back)  
Interior Bowl: 21-5/8" (wide) x 13-3/8" (front-to-back)  
Bowl Depth: 5"  
Minimum Cabinet Size: N/A  
Drain Hole Size: 1-7/8"

Installation Type:  
Vessel  
Drain Location:  
Center

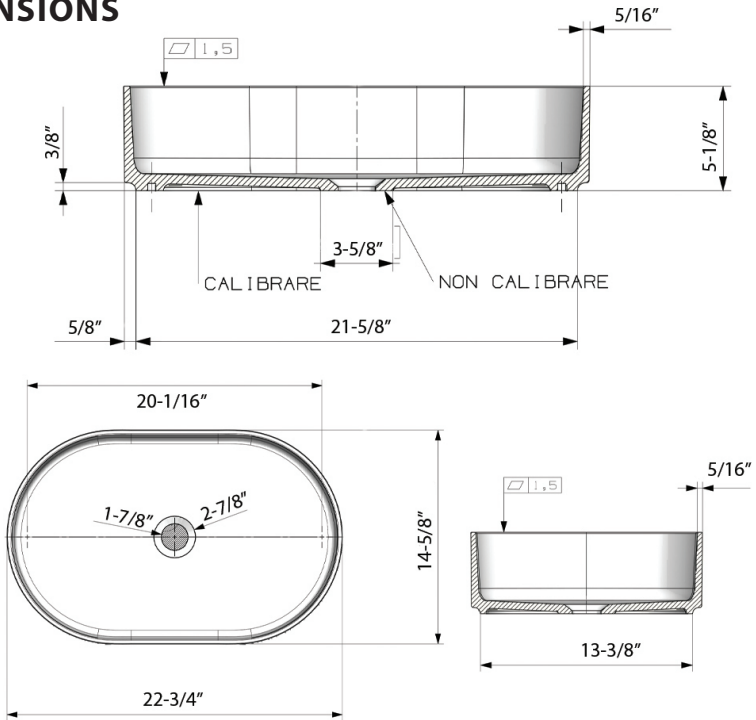
**RUVATI USA**  
www.ruvati.com

Phone: 1.855.478.8284  
Email: support@ruvati.com



cUPC certified by IAPMO to meet US and Canada plumbing standards.  
Codes compliance: ASME A112.19.3/CSA B45.4

## DIMENSIONS



Register your product at [www.ruvati.com/register](http://www.ruvati.com/register).

**RUVATI USA**  
[www.ruvati.com](http://www.ruvati.com)

Phone: 1.855.478.8284  
Email: [support@ruvati.com](mailto:support@ruvati.com)