

# RVQ5215

## OUTDOOR BBQ SINK

**RUVATI**<sup>®</sup>  
SPECIFICATION SHEET

### MATERIAL

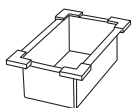
True 16 Gauge Thickness  
Marine Grade T316 Stainless Steel  
18/10 Chromium/Nickel Content  
Commercial Brushed Finish

### FEATURES

- Heavy duty sound guard padding and undercoating
- Slanted bottom with elegant drain grooves for easy draining
- Single-Tier Ledge for Accessories



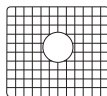
### IN THE BOX



Colander  
[RVA1315]



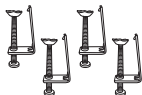
Cutting Board  
[RVA1215BLK]



Rinse Grid  
[RVA68215]



Basket Strainer  
[RVA1025]



Mounting Clips  
[RVA11042]



Cut-out  
Template

### NOMINAL DIMENSIONS

Exterior: 15" (wide) x 15" (front-to-back)  
Interior Bowl: 11-5/8" (wide) x 11" (front-to-back)  
Bowl Depth: 9"  
Minimum Cabinet Size: 18" wide  
Drain Hole Size: 3-1/2"

Installation Type:  
Topmount

Inside Corners:  
Zero Radius

Drain Location:  
Rear Center

**RUVATI USA**  
www.ruvati.com

Phone: 1.855.478.8284  
Email: support@ruvati.com

# OPTIONAL ACCESSORIES (SOLD SEPARATELY)

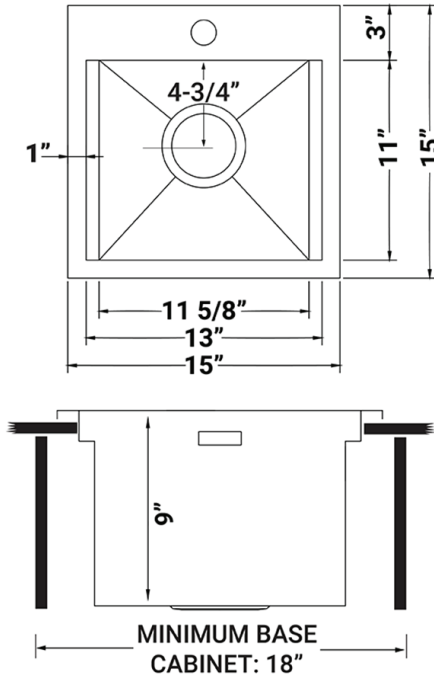


Deep Basket  
Disposal Flange  
[RVA1049ST]



Drain Cover  
[RVA1035]

## DIMENSIONS



Register your product at [www.ruvati.com/register](http://www.ruvati.com/register).