

RVG2080

GRANITE UNDERMOUNT KITCHEN SINK

RUVATI[®]
SPECIFICATION SHEET

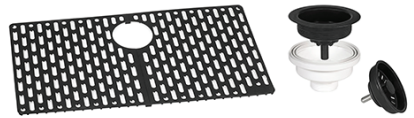
MATERIAL

- Solid Granite Composite
- 80% crushed natural granite for extreme strength
- Non-porous and resistant to stains



FEATURES

- Naturally sound proof
- Will never discolor
- Rounded inside corners



COLOR OPTIONS

BK: Midnight Black

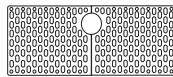
WH: Arctic White

GR: Silver Gray

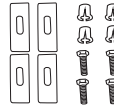
IN THE BOX



Basket Strainer
[RVA1038]



Rinse Grid
[RVA41080 (BK / GR)]



Mounting Clips
[RVA11059]



Cut-out
Template

NOMINAL DIMENSIONS

Exterior: 33" (wide) x 19" (front-to-back)

Interior Bowl: 30-1/4" (wide) x 17-1/2" (front-to-back)

Bowl Depth: 10"

Minimum Cabinet Size: 36" wide

Drain Hole Size: 3 1/2"

Installation Type:
Undermount

Inside Corners:
Rounded

Drain Location:
Rear Center

RUVATI USA

www.ruvati.com

Phone: 1.855.478.8284
Email: support@ruvati.com

OPTIONAL ACCESSORIES (SOLD SEPARATELY)



Deep Basket
Disposal Flange
[RVA1049ST]

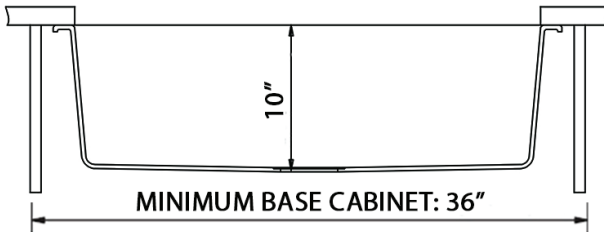
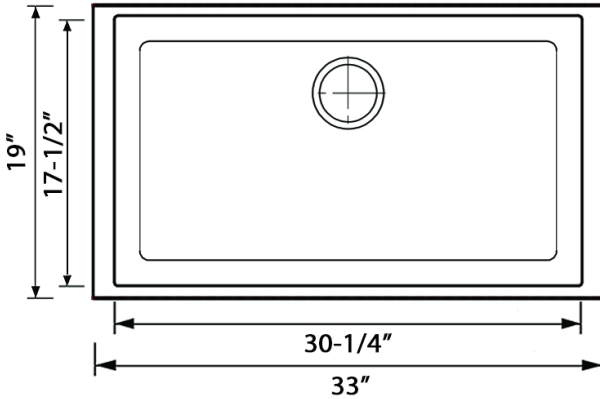


Drain Cover
[RVA1035]



UPC compliant. Certified by CSA to meet US and Canada plumbing codes.
Codes compliance: ASME A112.19.3/CSA B45.4

DIMENSIONS



Register your product at www.ruvati.com/register.