

# RVG1080

GRANITE TOPMOUNT KITCHEN SINK

**RUVATI**<sup>®</sup>  
SPECIFICATION SHEET

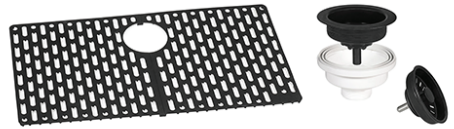
## MATERIAL

- Solid Granite Composite
- 80% crushed natural granite for extreme strength
- Non-porous and resistant to stains



## FEATURES

- Naturally sound proof
- Will never discolor
- Rounded inside corners



## COLOR OPTIONS

**BK:** Midnight Black  
**WH:** Arctic White  
**ES:** Espresso Brown

**GR:** Silver Gray  
**UG:** Urban Gray

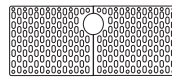
## IN THE BOX



Basket Strainer  
[RVA1038]



Mounting Clips  
[RVA11052]



Rinse Grid  
[RVA41080 (BK/GR)]



Cut-out  
Template

## NOMINAL DIMENSIONS

Exterior: 33" (wide) x 22" (front-to-back)  
Interior Bowl: 30-1/4" (wide) x 17-1/2" (front-to-back)  
Bowl Depth: 10"  
Minimum Cabinet Size: 36" wide  
Drain Hole Size: 3 1/2"

**Installation Type:**  
Topmount  
**Inside Corners:**  
Rounded  
**Drain Location:**  
Rear Center

**RUVATI USA**

www.ruvati.com

Phone: 1.855.478.8284  
Email: support@ruvati.com

## OPTIONAL ACCESSORIES (SOLD SEPARATELY)



Deep Basket  
Disposal Flange  
[RVA1049ST]

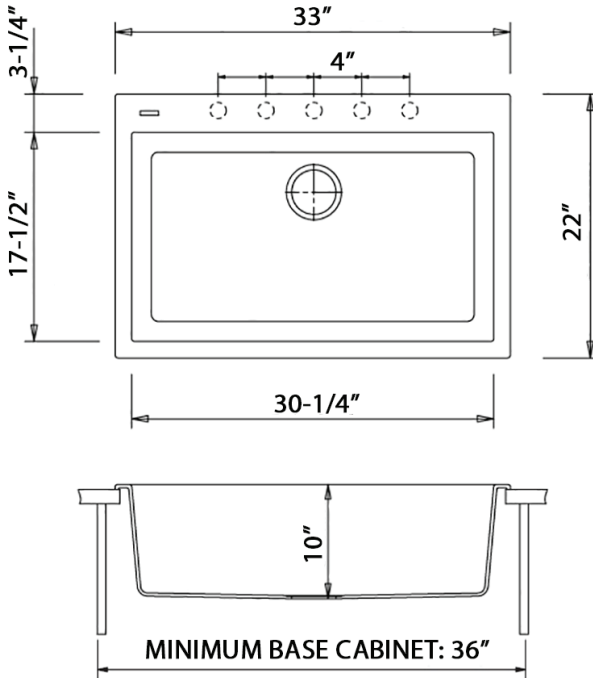


Drain Cover  
[RVA1035]



UPC compliant. Certified by CSA to meet US and Canada plumbing codes.  
Codes compliance: ASME A112.19.3/CSA B45.4

## DIMENSIONS



Register your product at [www.ruvati.com/register](http://www.ruvati.com/register).