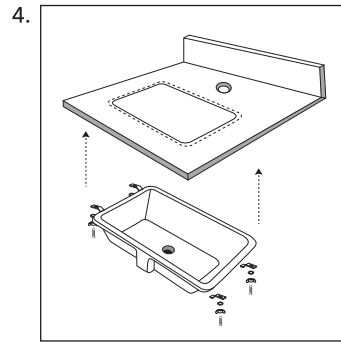


4. Position the sink under the opening. Hold the sink in place. Affix the mounting clips and tighten to secure. Wipe away excess silicone.

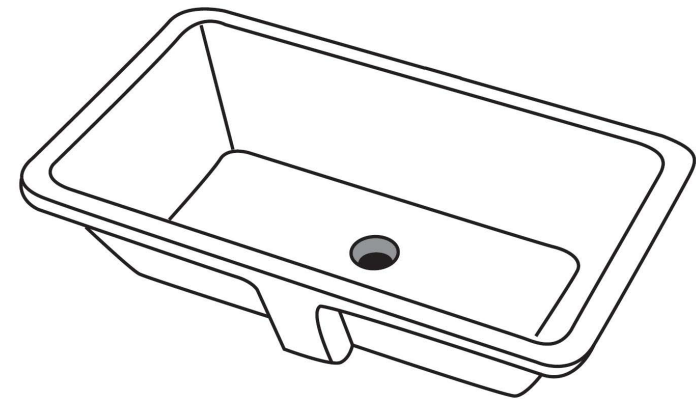
5. Complete the installation of faucet and drain (not included). This sink has a standard size drain hole and requires a drain with overflow. Run water through the sink and check for any leaks.



RUVATI®

INSTALLATION GUIDE

CERAMIC BATHROOM UNDERMOUNT SINK



Register your product at: www.ruvati.com/register-product

RUVATI®

Address: 2712 Meister Pl, Round Rock, TX 78664

USA Phone: 1.855.478.8284

Email: info@ruvati.com

RVB0616, RVB0618, RVB0619

RVB0718, RVB0720, RVB0721

ATTENTION INSTALLER:

Please read all information below and keep this installation guide for future reference.

Ruvati recommends that this sink be installed only by a professional installer.

Inspect the sink and box contents immediately upon delivery. If you see any shipping damages on the sink, or missing parts, contact Ruvati Support.

Do not start the cutout or cabinet prep process before having the sink in hand.

It is recommended that you discuss with customer the desired installation position of sink and faucet prior to installation. Ruvati is not responsible for improper installation or damage to sink, cabinet or countertop.

Follow all local plumbing and building codes.

INCLUDED IN BOX

Sink	Mounting Clips and Screws (x4)
Cutout Template	Installation Guide

TOOLS REQUIRED

Safety glasses	Silicone Adhesive
Level	Plumbers Putty
Framing Square	Caulking
Tape Measure	Pencil or Marker
Drill	

INSTALLATION

1. Place the template on the countertop where you would like your sink to be. Note the location of the doors and panels of the cabinetry to ensure there will be enough room for your sink and mounting clips installation. Also make sure to leave enough room behind the sink for faucet installation.

Fix the template on the counter using masking tape.

Trace a line around the template. Remove the template. Cut your countertop along the line.

2. Determine position of the four (4) mounting clips. Loosely install the clips.

3. Generously apply silicone sealant around the rim of the sink

