

# RVU6121

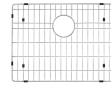
UNDERMOUNT LAUNDRY SINK

## MATERIAL

- True 16 Gauge Thickness
- Premium T304 Grade Stainless Steel
- 18/10 Chromium/Nickel Content
- Commercial Brushed Finish

## FEATURES

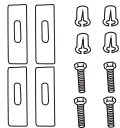
- Heavy duty sound guard padding and undercoating
- Slanted bottom with elegant drain grooves for easy draining
- Extra deep sink for utility room



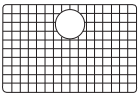
## IN THE BOX



Basket Strainer  
[RVA1025]



Mounting Clips  
[RVA11031]



Rinse Grid  
[RVA67121]



Cut-out  
Template

## NOMINAL DIMENSIONS

- Exterior:** 21" (wide) x 18" (front-to-back)
- Interior Bowl:** 19" (wide) x 16" (front-to-back)
- Bowl Depth:** 12"
- Minimum Cabinet Size:** 24" wide
- Drain Hole Size:** 3½"

- Installation Type:** Undermount
- Inside Corners:** Zero Radius
- Drain Location:** Rear Center

## OPTIONAL ACCESSORIES (SOLD SEPARATELY)

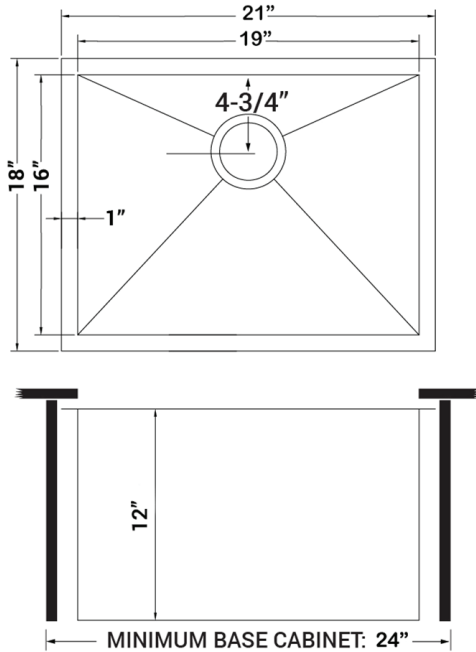


Deep Basket  
Disposal Flange  
[RVA1049ST]



Drain Cover  
[RVA1035]

## DIMENSIONS



Register your product at [www.ruvati.com/register](http://www.ruvati.com/register).