

RVM4400

UNDERMOUNT KITCHEN SINK

RUVATI®

SPECIFICATION SHEET

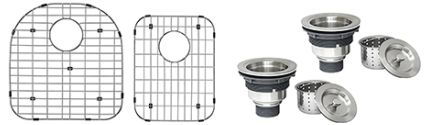
MATERIAL

True 16 Gauge Thickness
Premium T304 Grade Stainless Steel
18/10 Chromium/Nickel Content
Commercial Brushed Finish



FEATURES

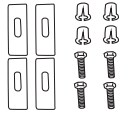
- Heavy duty sound guard padding and undercoating
- Curved bowl and rounded bottom for perfect drainage
- Large deep bowl



IN THE BOX



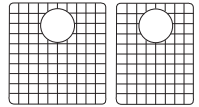
Basket Strainer
[RVA1025] x 2



Mounting Clips
[RVA11031]



Cut-out
Template



Rinse Grid
[RVA64400]



cUPC certified by IAPMO to meet US and Canada plumbing standards.
Codes compliance: ASME A112.19.3/CSA B45.4

NOMINAL DIMENSIONS

Exterior: 31-1/2" (wide) x 20-1/2" (front-to-back)
Interior Bowl: 17-3/4" x 18-1/2" (left), 10-1/2" x 16" (right)
Bowl Depth: 9" (left), 7" (right)
Minimum Cabinet Size: 36" wide
Drain Hole Size: 3 1/2"

Installation Type:
Undermount
Inside Corners:
Curved
Drain Location:
Rear Center

OPTIONAL ACCESSORIES (SOLD SEPARATELY)

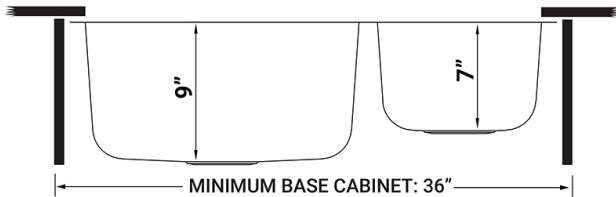
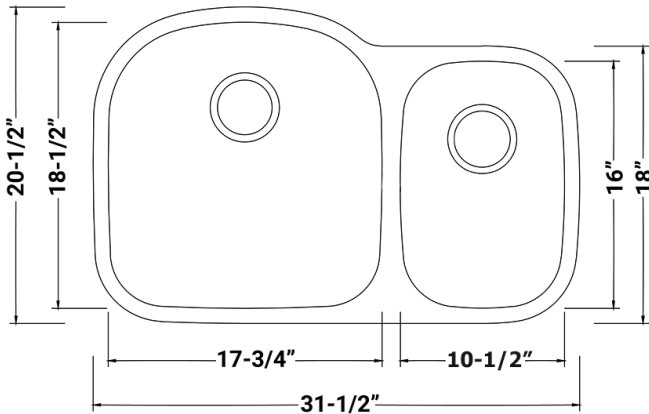


Deep Basket
Disposal Flange
[RVA1049ST]



Drain Cover
[RVA1035]

DIMENSIONS



Register your product at www.ruvati.com/register.