

RVM4136

UNDERMOUNT BAR SINK

RUVATI®

SPECIFICATION SHEET

MATERIAL

True 16 Gauge Thickness
Premium T304 Grade Stainless Steel
18/10 Chromium/Nickel Content
Commercial Brushed Finish

FEATURES

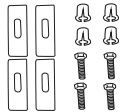
- Heavy duty sound guard padding and undercoating
- Curved bowl and rounded bottom for perfect drainage
- Small size sink for wet bar



IN THE BOX



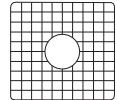
Basket Strainer
[RVA1025]



Mounting Clips
[RVA11031]



Cut-out
Template



Rinse Grid
[RVA64136]



cUPC certified by IAPMO to meet US and Canada plumbing standards.
Codes compliance: ASME A112.19.3/CSA B45.4

NOMINAL DIMENSIONS

Exterior: 12-3/4" (wide) x 15" (front-to-back)
Interior Bowl: 10-3/4" (wide) x 13" (front-to-back)
Bowl Depth: 7"
Minimum Cabinet Size: 15" wide
Drain Hole Size: 3 1/2"

Installation Type:
Undermount
Inside Corners:
Curved
Drain Location:
Rear Center

RUVATI USA

www.ruvati.com

Phone: 1.855.478.8284
Email: support@ruvati.com

OPTIONAL ACCESSORIES (SOLD SEPARATELY)

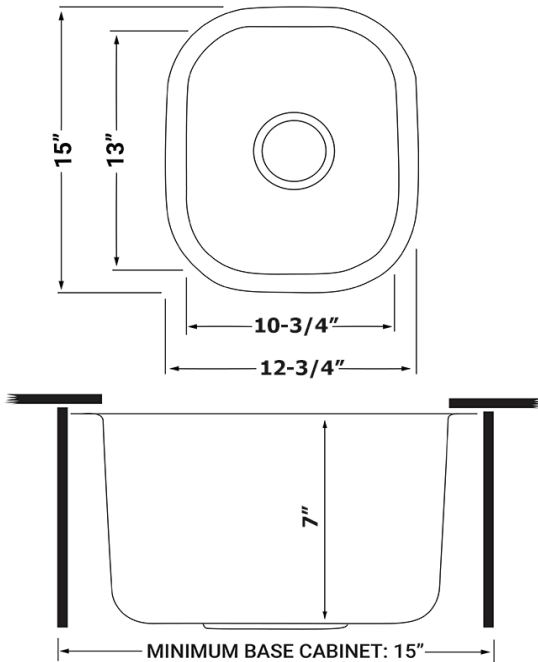


Deep Basket
Disposal Flange
[RVA1049ST]



Drain Cover
[RVA1035]

DIMENSIONS



Register your product at www.ruvati.com/register.