

RVH7126

UNDERMOUNT KITCHEN SINK

RUVATI®

SPECIFICATION SHEET

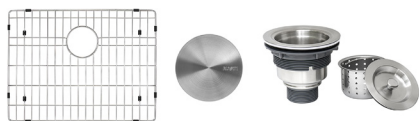
MATERIAL

True 16 Gauge Thickness
Premium T304 Grade Stainless Steel
18/10 Chromium/Nickel Content
Commercial Brushed Finish



FEATURES

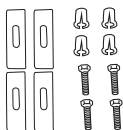
- Heavy duty sound guard padding and undercoating
- Slanted bottom with elegant drain grooves for easy draining
- Rounded inside corners



IN THE BOX



Basket Strainer
[RVA1025]



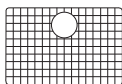
Mounting Clips
[RVA11031]



Drain Cover
[RVA1035]



Cut-out
Template



Rinse Grid
[RVA67126]

NOMINAL DIMENSIONS

Exterior: 26" (wide) x 18" (front-to-back)
Interior Bowl: 24" (wide) x 16" (front-to-back)
Bowl Depth: 10"
Minimum Cabinet Size: 28" wide
Drain Hole Size: 3½"

Installation Type:
Undermount

Inside Corners:
Rounded

Drain Location:
Rear Center

RUVATI USA
www.ruvati.com

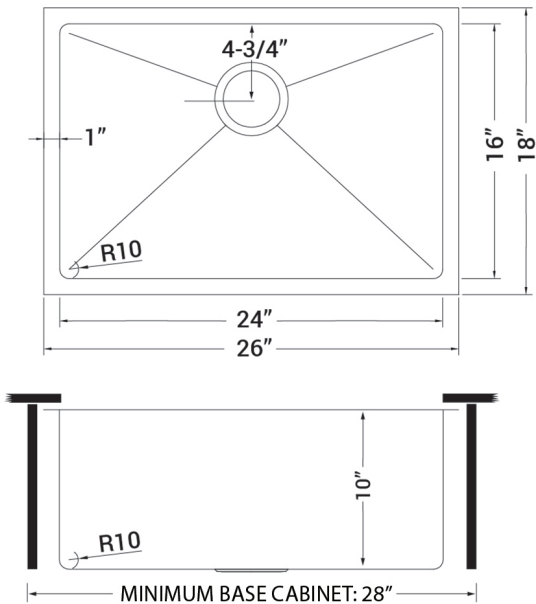
Phone: 1.855.478.8284
Email: support@ruvati.com

OPTIONAL ACCESSORIES (SOLD SEPARATELY)



Deep Basket
Disposal Flange
[RVA1049ST]

DIMENSIONS



Register your product at www.ruvati.com/register.