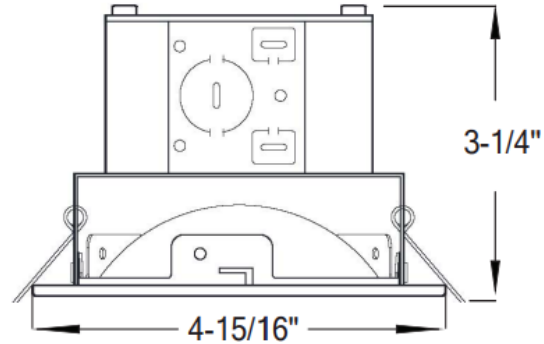


**8776**  
120V-60Hz

Catalog #:		Type
Project:		Date
Prepared by:		

## 4" IC, LED Recessed Adjustable Gimbal J-Box Downlight



Ceiling Cut-out: 4"

### DESCRIPTION

The 8776 4" LED Gimbal Downlight has no need of additional assembly. Eliminating the need of recessed can and separate trim it allows simple wiring and sturdier installation by built-in mouse-trap springs. The 8776 is designed for use in new construction or remodel applications with insulated ceilings. Suitable for wet location.

### DESIGN FEATURES

#### Construction

- All-in-one housing and adjustable with integral J-Box
- Durable aluminum integrated trim
- Acrylic Frosted Lens
- 360° Rotational Gimbal Axis

#### Electrical

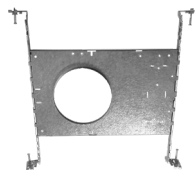
- 120V-60Hz
- Dimmable TRIAC or ELV, 10-100%
- 11.5W | 730 lms (delivered)
- 3000K | 90 CRI

#### Installation

- Listed for through branch circuit wiring and includes (4) 1/2" knockouts with true pry-out slots and (4) knockouts with Romex cable clamp
- Built-in mouse trap springs for use with direct remodel ceiling or new construction mounting plate

#### Available Accessory

- **PF-4:** Mounting plate assembly



#### Dimensions

- Housing: 4-15/16" W x 3-1/4" H
- Ceiling Cut-out: 4"

#### Certifications

- Energy Star Listed
- CEC JA8 Compliant
- IC-Rated
- cCSAus Listed for wet locations
- LED Light Source: 5 Year Limited Warranty
- Other Components: 1 Year Limited Warranty

ORDERING GUIDE			
<b>Model #</b>	<b>Finish</b>	<b>CRI</b>	<b>CCT</b>
8776	WH	-90	-3K
8776	WH : White	-90 : 90 CRI	-3K : 3000K
<b>Accessory</b>			
PF-4	: 4" Mounting Plate		

Example: 8776WH-90-3K

TEL: 800.937.6925 | Fax: 800.207.9509 | [www.rplighting.com](http://www.rplighting.com)

Specifications and dimensions subject to change without notice.



LED Light Source Other Components

5/25/22 R4



LIGHTING • FANS

8776 - 4" IC, LED Gimbal Downlight

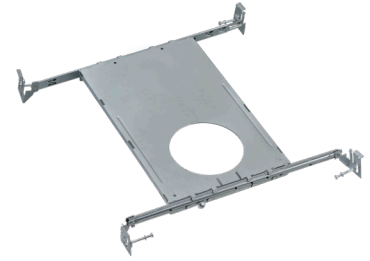
# 8776

120V

## Available Accessory Information

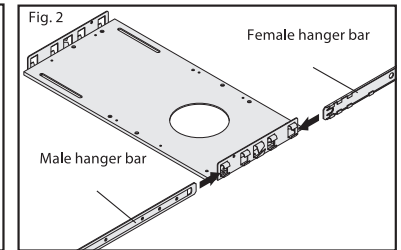
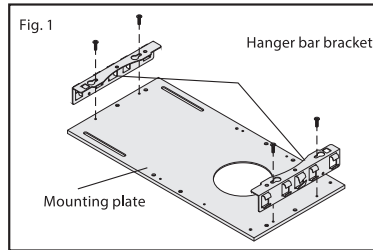
### Accessory Mounting Plate Assembly

- **PF-4**
- Includes four 12" bar hanger to allow for easy adjustment and easy installation
- Durable aluminum construction
- Perfect for installing recessed lighting into new construction



### New Construction Mounting Plate Assembly:

1. Align hanger bar brackets with mounting holes on the new construction mounting plate and secure in place with mounting screws (Fig. 1).  
*NOTE:* Hanger bars can be installed on long or short side of the new construction mounting plate.
2. Insert both female and male parts of the hanger bars into the bracket from opposite ends (Fig. 2). Make sure that the male part is inserted within the female part and that the end tab is facing downwards.



## Polar Graph

