

## LED RECESSED DOWNLIGHT INSTALLATION INSTRUCTIONS

### WARNING

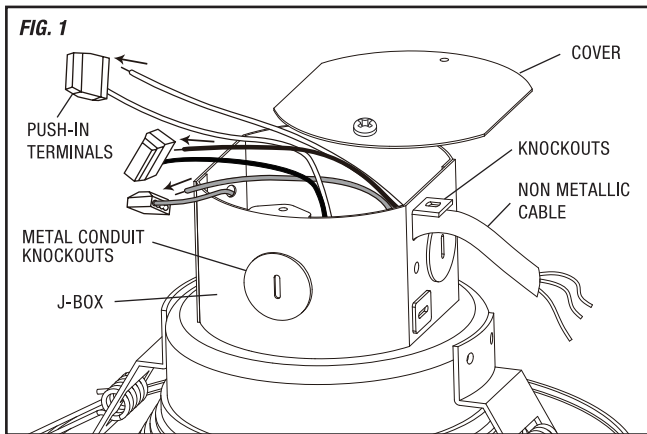
1. Risk of Fire - Supply conductors (power wires) connecting the fixture must be rated minimum 90°C. If uncertain consult an electrician.
2. Risk of Electric Shock - Disconnect power at fuse or circuit breaker before installing or servicing.
3. Risk of Fire/Electric Shock - If not qualified, consult an electrician.

### CAUTIONS :

1. For your safety read and understand instructions completely before starting installation.
2. These luminaires (fixtures) are designed to meet the latest NEC requirements and are listed in full compliance with UL 1598.
3. Before attempting installation, check your local electrical code, as it sets the wiring standards for your locality.

### PER-INSTALLATION

1. Turn power is OFF from the electrical panel before starting installation.
2. Locate a suitable position to place the fixture and open in accordance to the cut-hole dimensions (refer to Hole Cut table for appropriate size).
3. Run electrical wire from the switch (power supply) through the mounting hole-use NMD90 or BX cable.

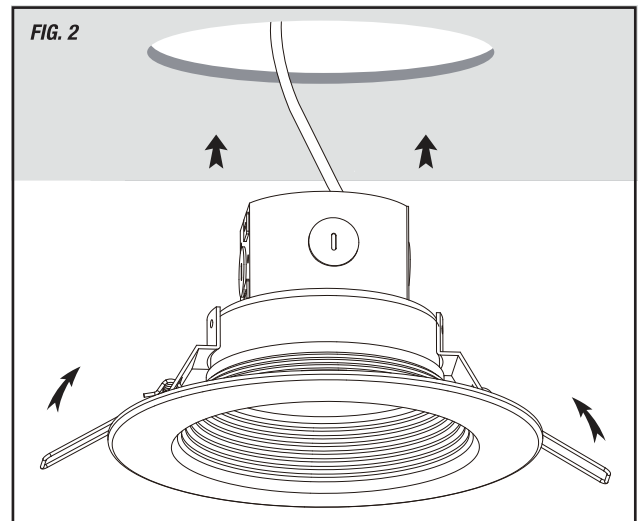


### ELECTRICAL CONNECTION

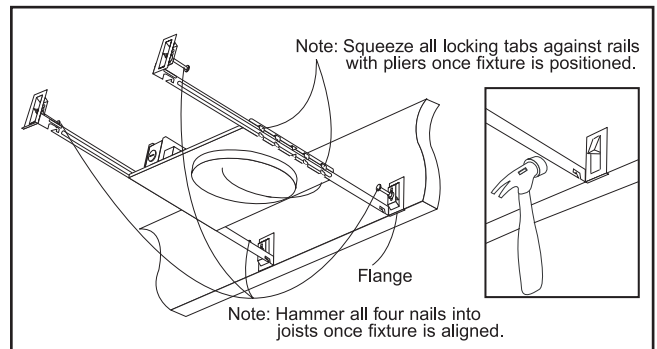
1. Open the cover from the j-box and remove the appropriate knockouts.
2. Insert the electrical supply cable through the knockout and secure with a cable connector (sold separately).
3. Connect supply wires to fixture wires with push-in terminals on the ends (Fig.1).
  - a.) Connect incoming ground wire (green or bare) to fixture ground wire (green or bare).
  - b.) Connect incoming common (white) wire to fixture common (white).
  - c.) Connect incoming hot (typically black) wire to fixture black wire.
4. Place all wiring and connections back into box and close the cover.

### FIXTURE INSTALLATION

1. Tuck flexible conduit into the ceiling.
2. Carefully push spring loaded clips on the fixture upwards and insert fixture base into the mounting hole. Release the clips and fixture will be pulled flush to the ceiling. (Fig. 2)



New construction installation on wood joist / drywall ceiling (Plaster Frame Kit is sold separately).



1. Extend hanger bars to fit between joists. Align the flange of the hanger bar with the underside of the joists and nail the hanger bar to the joist (Fig. 2). Level the opposite end of the hanger bar and nail it securely to the joist. Repeat the process with the other hanger bar.