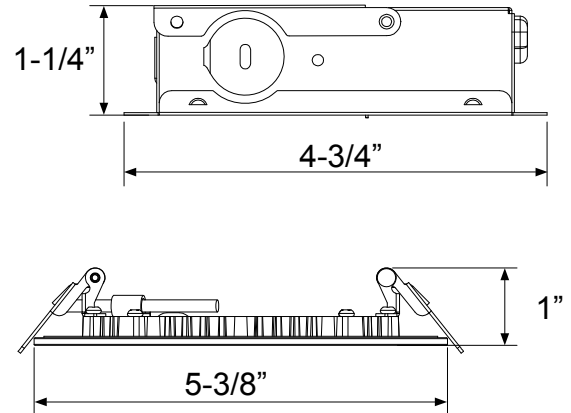
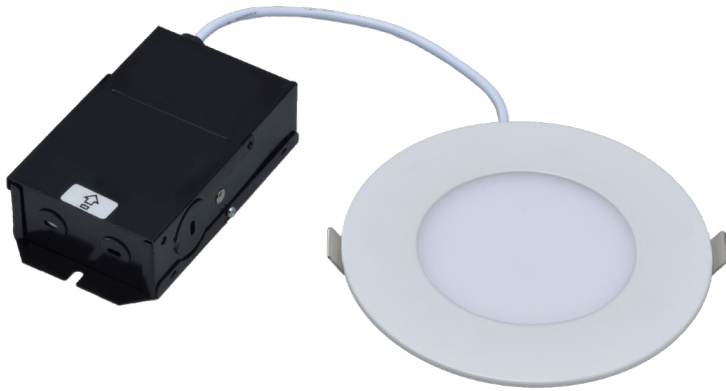


8742-1

120V

Catalog #:		Type
Project:		Date
Prepared by:		

4" LED Ultra-Thin Downlight



4" LED Ultra-Thin Light

DESCRIPTION

A versatile LED down light solution with edge-lit technology and an off-board driver allow for an ultra slim profile and flexible mounting options. Installation is a snap with the plenum-rated driver box and linkable connector cable — there is no need for a j-box or recessed housing. The simple spring-loaded retention tabs securely hold each downlight snug to the ceiling.

DESIGN FEATURES

Construction

- Ultra-thin profile
- Durable aluminum construction
- Frosted acrylic lens diffuses glare and maximizes output

Electrical

- 120V-60Hz
- Triac 10-100% dimmable
- Suitable for use in wet locations
- 50,000 hour projected life
- 120° Beam Angle
- 10.5W | 650lms | 90CRI
- Available in 3000 or 4000K

Installation

- Simple installation with hinged, off-board driver/ junction box, poke-in connectors, and linkable connector cable
- J-box is listed for through-branch circuit wiring
- Spring-loaded retention tabs hold downlight snug to ceiling surface
- IC Rated for direct contact with batt type fiberglass insulation

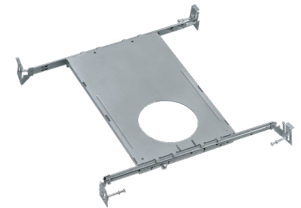
Finish

- Available in White

Mounting Plate Assembly

PF-3/4

- The New Construction Mounting Plate Assembly
- Includes four 12" bar hanger to allow for easy adjustment and easy installation
- Durable aluminum construction
- Perfect for installing recessed lighting into new construction



Certifications

- Energy Star listed
- cETLus listed
- 5 year limited warranty

TEL: 800.937.6925 | Fax: 800.207.9509 | www.rplighting.com

Specifications and dimensions subject to change without notice.



2/5/24 R3



8742-1

120V

Mounting Plate Assembly Information

ORDERING GUIDE

Example: 8742-1WH-90-3K

Model #	Finish	CRI	CCT	Options
8742-1	WH	-90		
8742-1	WH : White	-90 : 90 CRI	-3K : 3000K -4K : 4000K	-PF-3/4 : Mounting Plate

New Construction Mounting Plate Assembly:

1. Align hanger bar brackets with mounting holes on the new construction mounting plate and secure in place with mounting screws (Fig. 1).
NOTE: Hanger bars can be installed on long or short side of the new construction mounting plate.
2. Insert both female and male parts of the hanger bars into the bracket from opposite ends (Fig. 2). Make sure that the male part is inserted within the female part and that the end tab is facing downwards.

