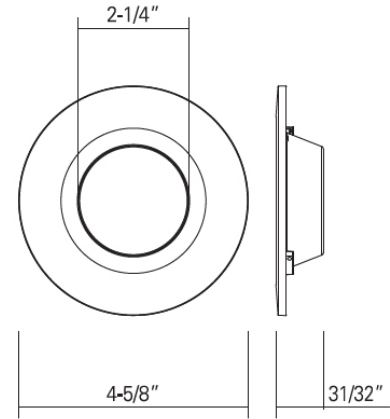


**8711**  
120V - 60 Hz

Catalog #:		Type
Project:		Date
Prepared by:		

## 4" LED J-Box Trim, 2.25" Aperture



### DESCRIPTION

This 4" LED J-Box Trim is a one piece LED downlight module with detachable round trim ring, which allows easy installation to a 4" J-Box. The 2.25" aperture is ideal for a more narrow beam spread for both residential and commercial applications.

### DESIGN FEATURES

#### Construction

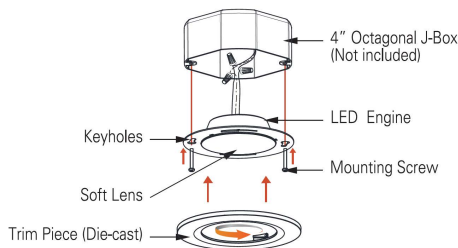
- All-in-one durable aluminum construction with removable trim ring
- Polycarbonate diffuser for even illumination

#### Electrical

- 120V - 60 Hz (277V available as Special Order)
- Dimmable TRIAC, 10-100%
- 11W | 830 lms (source) | 650 lms (delivered)
- 3000K or 4000K | 90 CRI

#### Installation

- Simple, easy installation - light engine and trim connect via twist and lock
- Installs in standard 4" Octagonal J-Box (min. 2" depth)



#### Dimensions

- 4-5/8" x 2-1/4" x 31/32"

#### Certifications

- CSAus Certified for use in wet locations
- 5 year limited warranty

### ORDERING GUIDE

Example: 8711WH-90-3K

Model #	Trim Finish	CRI	CCT
8711	WH	-90	
8711	WH : White	-90 : 90 CRI	-3K : 3000K -4K : 4000K

TEL: 800.937.6925 | Fax: 800.207.9509 | [www.rplighting.com](http://www.rplighting.com)

Specifications and dimensions subject to change without notice.

11/19/2020



4" LED J-Box Trim, 2.25" Aperture