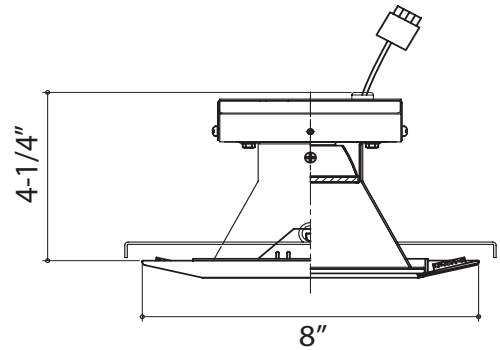


**8570**  
120-277V

Catalog #:		Type
Project:		Date
Prepared by:		

## 6" LED Module/Trim Component



6" LED Module/Trim

### DESCRIPTION

The 8570 is a 6" LED module/trim that is an ideal solution when paired with the 8116HIC for affordability, safety, and efficiency in any new construction project requiring an IC rating.

### DESIGN FEATURES

#### Construction

- Spun aluminum reflector with plastic trim ring
- Robust extruded aluminum heatsink
- 8570FS suitable for wet locations  
8570WH suitable for damp locations

#### Electrical

- Universal voltage: 120-277V
- Triac dimmable with 8116HIC driver
- 50,000 hour projected life
- 15W | 950lm
- 20W | 1,500lm
- Available in 3000 or 4000K CCT

#### Installation

- Easy installation with torsion springs and a plug-in quick connect for the 8116HIC

#### Lens

- Textured clear glass lens

#### Finish


- Available in white or frosted shower finish

#### Certifications

- cETLus  
5 year limited warranty

#### Compatibility

- 8570 requires the 8116HIC for operation and is not compatible with any other housing.

ORDERING		Example: 8570-WH-15-3K	
Trim	Finish	Watts	CCT
8570			
8570	WH : White FS : Frosted Shower 	-15 : 15W -20 : 23W	-3K : 3000K -4K : 4000K

TEL: 800.937.6925 | Fax: 800.207.9509 | [www.rplighting.com](http://www.rplighting.com)

Specifications and dimensions subject to change without notice.

